

Ultipleat® High Flow Filter Housing



Description

The Ultipleat High Flow Filter Housing is designed to take Ultipleat High Flow filters for applications involving large liquid flow rates such as pre reverse osmosis filtration and cooling water.

- Designed to the ASME code, section VIII, division 1.
- Corrosion allowance: 0.125" / 3.2 mm
- Accommodates flow rates up to 1500 gpm/341 m³/h

Specifications

Materials of Construction

- Shell: 316L stainless steel
- Tubesheet and Hold-down Plate: 316L stainless steel
- Connections: 316L stainless steel
- Standard Housing Gasket: Spiral wound 304 stainless steel mineral fiber

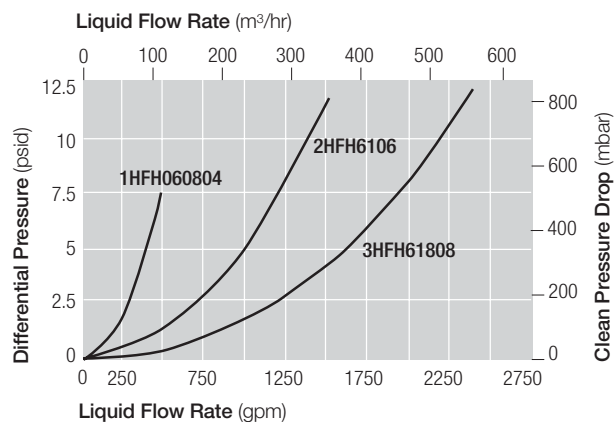
Configurations

- Inlet/Outlet: 4" / 101 mm to 8" / 203 mm ANSI
Flange options

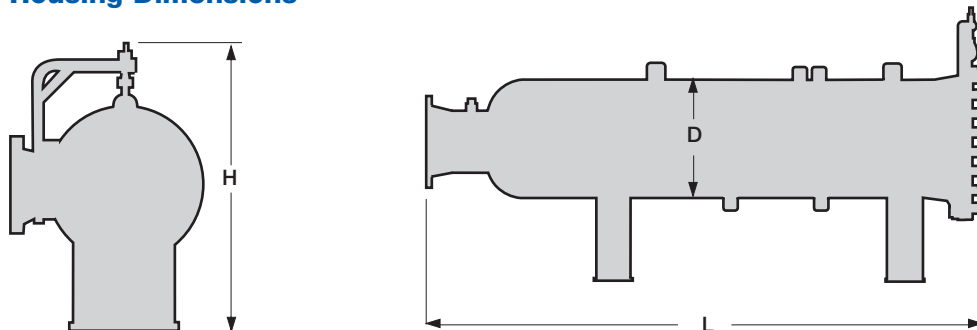
Operating Conditions

- Pressure Rating: 216 psig / 15 bar at 140°F / 60°C
- Maximum Differential Pressure across tubesheet: 75 psid / 5.2 bar

Pressure Drop vs. Liquid Flow Rate



Housing Dimensions



Part Numbers / Ordering Information

Part Number	No. of Filters	Rated Flow Per Housing gpm / m³/hr 60" Long Filter	Nominal Diameter (in / mm) (D)	Nominal Cartridge Length (in / mm)	Inlet / Outlet Flange Diameter (in / mm)	Maximum Overall Length (in / mm) (L)	Height (in / mm) (H)
1HFH20804FF1L3275	1	500 / 114	8.625 / 219.1	20 / 508	4 / 101.6	89 / 2261	32 / 817
1HFH40804FF1L3275	1	500 / 114	8.625 / 219.1	40 / 1016	4 / 101.6	89 / 2261	32 / 817
1HFH60804FF1L3275	1	500 / 114	8.625 / 219.1	60 / 1524	4 / 101.6	89 / 2261	32 / 817
2HFH21606FF1L3275	2	1000 / 227	16 / 406.4	20 / 508	6 / 152.4	100 / 2527	40 / 1023
2HFH41606FF1L3275	2	1000 / 227	16 / 406.4	40 / 1016	6 / 152.4	100 / 2527	40 / 1023
2HFH61606FF1L3275	2	1000 / 227	16 / 406.4	60 / 1524	6 / 152.4	100 / 2527	40 / 1023
3HFH21808FF1L3275	3	1500 / 341	18 / 457.2	20 / 508	8 / 203.2	104 / 2642	43 / 1093
3HFH41808FF1L3275	3	1500 / 341	18 / 457.2	40 / 1016	8 / 203.2	104 / 2642	43 / 1093
3HFH61808FF1L3275	3	1500 / 341	18 / 457.2	60 / 1524	8 / 203.2	104 / 2642	43 / 1093

Unit conversion: 1 bar = 100 kilopascals



2200 Northern Boulevard
East Hills, New York 11548-1289 USA

1.800.360.7255 toll free (Only in US)
1.516.484.5400 phone
1.516.625.3610 fax

Visit us on the Web at www.pall.com/micro

Pall Corporation has offices and plants throughout the world in locations including: Argentina, Australia, Austria, Belgium, Brazil, Canada, China, France, Germany, Hong Kong, India, Indonesia, Ireland, Italy, Japan, Korea, Malaysia, Mexico, the Netherlands, New Zealand, Norway, Poland, Puerto Rico, Russia, Singapore, South Africa, Spain, Sweden, Switzerland, Taiwan, Thailand, United Kingdom, United States, and Venezuela. Distributors are located in all major industrial areas of the world.

© Copyright 2004, Pall Corporation. Pall, are trademarks of Pall Corporation. ® Indicates a Pall trademark registered in the USA. Filtration. Separation. Solution.sm is a service mark of Pall Corporation.