

EZ In-Line Filter Assembly

Description

The EZ In-line compact capsule assembly is ideally suited for filtering a broad range of liquids from photoresists, including pigmented color resists, to various slurries such as CMP and ceramic. Other applications include color inks, photoemulsions, magnetic coatings, and conductive and glass pastes.

It is the largest capsule in the EZ series of assemblies offering quick, one-step filter replacements. Manifold connections are designed for easy removal of nozzles for cleaning.

Features

- Allows for quick and safe filter change-outs, and easy maintenance
- In-line flow design minimizes dead space
- Capsule design prevents incorrect orientation and installation
- Connection nozzles designed for simple change-out and easy maintenance
- Ease of use sharply reduces down-time
- Minimizes operator exposure to solvents
- Profile Star depth filter media is especially suited for the removal of gels, aggregates and oversize particles
- Available in nominal 130 mm (5 in.) and 260 mm (10 in.) length cartridges suitable for most applications
- Broad choice of connection sizes

Materials of Construction

Filter Capsule

Components	Materials
Filter Media	Polypropylene
Core, cage, end caps, support, drainage and housing	Polypropylene
End seal / side seal	Heat sealed
O-ring Options	EPDM, Perfluoro elastomer



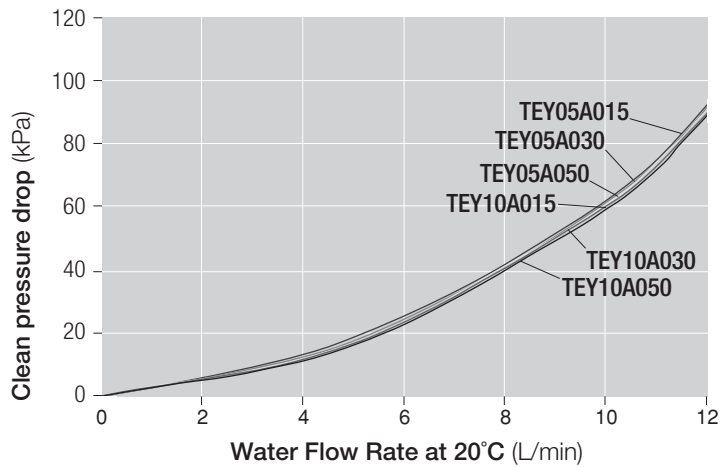
Head Manifold

Components	Materials
Frame	FEP coated SUS 304
Connections (removal nozzles)	PTFE

Specifications

Removal Ratings	1.5 µm, 3.5 µm, 5 µm	
Maximum Operating Temperature	30 °C / 86 °F	
Maximum Operating Pressure	0.2 MPaG @ 30 °C / 29 psig @ 86 °F	
Connections	Inlet / Outlet	Vent / Drain
	10 mm Swagelok ¹ compatible	8 mm Swagelok compatible
	8 mm Swagelok compatible	6 mm Swagelok compatible
	3/4" Swagelok compatible	1/4" Swagelok compatible
	3/8" Swagelok compatible	-

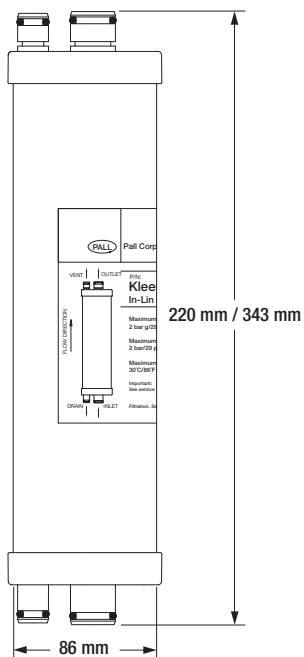
Pressure Drop vs. Liquid Flow Rate²



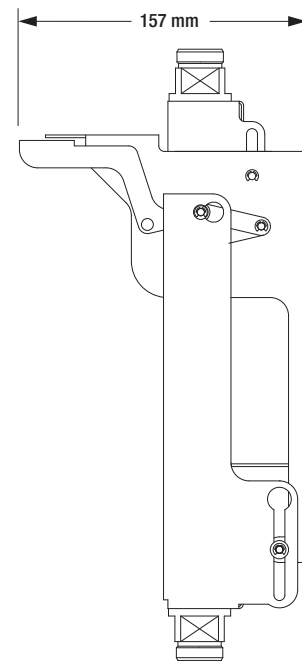
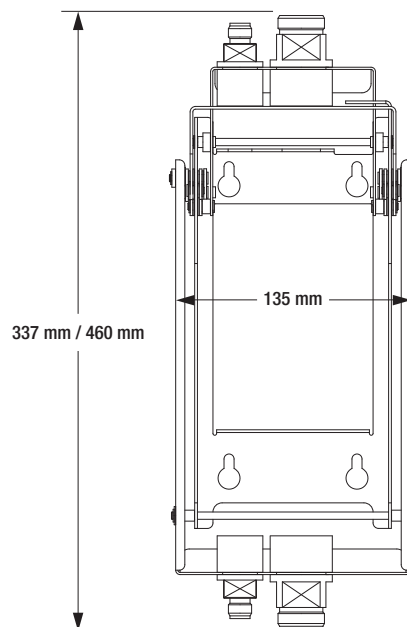
² For liquids with viscosity differing from water, multiply the pressure drop by the viscosity in centipoise.

Dimensions³

Filter Capsule



Head Manifold



³ Filter capsule and head manifold are available in two sizes:

220 mm length capsule contains nominal 130 mm/5 in. cartridge, and 343 mm length capsule contains nominal 260 mm/10 in. cartridge.

337 mm length head manifold is designed for nominal 130 mm/5 in. cartridge and 460 mm length head manifold is for nominal 260 mm/10 in. cartridge.

Part Numbers / Ordering Information

Filter Casule

TEY [1](#) [2](#) [3](#)

Table 1

Code	Cartridge Size
05	5 inch
1	10 inch

Table 2

Code	Filter Media	Removal Ratings (µm)
A015		1.5
A030	Profile Star	3.0
A050		5.0

Table 3

Code	O-ring
J	EPDM (Standard)
H23	Perfluoro elastomer

Head Manifold

TEH [1](#) SF2

Connections⁴ (Inlet/Outlet)

F-TE- [4](#) - SET

Connections (Vent/Drain)

F-TEV- [5](#) - SET

Table 4

Code	Inlet/Outlet
SW10M	10 mm Swagelok Compatible
SW8M	8 mm Swagelok Compatible
SW12	3/4" Swagelok Compatible
SW6	3/8" Swagelok Compatible

Table 5

Code	Vent/Drain
SW8M	8 mm Swagelok Compatible
SW6M	6 mm Swagelok Compatible
SW4	1/4" Swagelok Compatible

⁴ Connections are not installed on the manifold. They need to be ordered separately.

One set of connections contain two pairs of nozzles: for inlet/outlet and for vent/drain.

Please contact Pall if you need plastic nuts

Specifications and availability: The information provided in this literature was reviewed for accuracy at the time of publication.

Product availability may be subject to change without notice.

For current information, consult your local Pall office or distributor.

Dummy Capsule (empty capsule for flushing)

Part Number	Size
TEY05000J	5 inch
TEY1000J	10 inch

Representative example part numbers

Filter Capsule

TEY05A015J
TEY05A030J
TEY05A050J
TEY05A015H23
TEY05A030H23
TEY05A050H23
TEY1A015J
TEY1A030J
TEY1A050J
TEY1A015H23
TEY1A030H23
TEY1A050H23

Dummy Capsule (empty capsule for flushing)

TEY05000J
TEY1000J

Head Manifold

TEH05SF2
TEH1SF2

Connections

F-TE-SW10M-SET
F-TE-SW8M-SET
F-TE-SW12-SET
F-TE-SW6-SET
F-TEV-SW8M-SET
F-TEV-SW6M-SET
F-TEV-SW4-SET



Pall Corporation

Microelectronics

25 Harbor Park Drive
Port Washington, NY 11050
+1 800 360 7255 toll free US
+1 516 484 3600 telephone
+1 516 801 9711 fax
microelectronics@pall.com


Nihon Pall Ltd.

6-5-1, Nishishinjuku,
Shinjuku-ku
Tokyo 163-1325 Japan
+81 3 6901 5700 telephone
+81 3 5322 2109 fax

Visit us on the Web at www.pall.com/micro

Pall Corporation has offices and plants throughout the world. For Pall representatives in your area, please go to www.pall.com/corporate_contact.asp.

Because of technological developments related to the products, systems, and/or services described herein, the data and procedures are subject to change without notice. Please consult your Pall representative or visit www.pall.com to verify that this information remains valid. Products in this document may be covered by one or more of the following patent numbers: US5543047; US5690765; US6113784; US7083564; US7318800; EP0982061; EP0667800; EP1380331.

© Copyright 2015, Pall Corporation. Pall  is trademark of Pall Corporation.
® Indicates a trademark registered in the USA. *Filtration. Separation. Solution.sm* is a service mark of Pall Corporation.