

Description

The Falcon Photoresist filter has been specifically designed to filter point-of-use photoresist. This filter uses a special patented flow pattern construction and a patented crescent shaped Ultipleat® filter configuration to provide optimum performance.

Features and Benefits

- Optimized design for low hold-up volume
- Superior flow characteristics
- Excellent compatibility
- Low differential pressure
- Low extractables
- Manufactured in a cleanroom environment
- 100% integrity tested
- Captured O-ring to ease in change-out
- Designed to fit most photoresist dispense systems



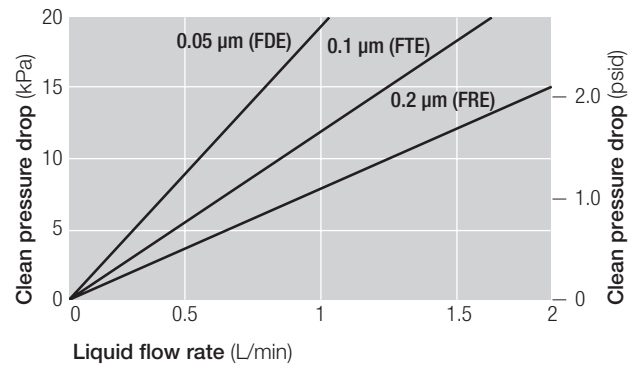
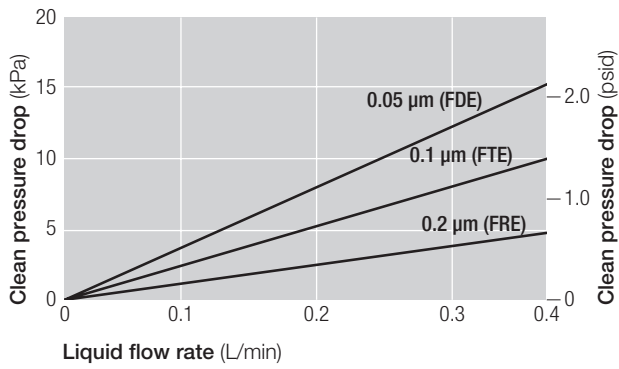
Specifications

Materials of Construction

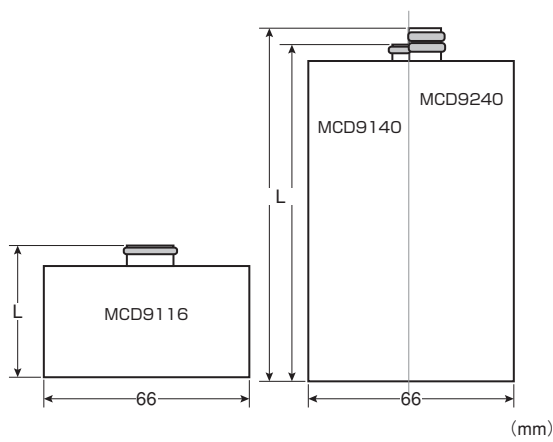
Components	Materials
Filter Medium	PTFE
Support and Drainage	High density polyethylene (HDPE)
Core, Cage, and End Caps	High density polyethylene (HDPE)
O-ring Options	Perfluoroelastomer, EPDM

Removal Ratings	0.2 µm, 0.1 µm, 0.05 µm	
Configurations	MCD9116	MCD9140 / 9240
Filter Areas	0.180 m ² / 1.9 ft ²	0.454 m ² / 4.8 ft ²
Maximum Operating Temperature	60 °C / 140 °F	
Maximum Forward / Reverse Differential Pressure	410 kPa @ 60 °C / 60 psid @ 140 °F	

Typical Flow Characteristics – 1 cP fluid, 20 °C



Filter Capsule Dimensions



Part Numbers / Ordering Information

MCD 1 UF 2 E 3

Table 1

Code	Cartridge Length	O-ring Specifications
9116	52 mm / 2.0 in	AS568A-015
9140	112 mm / 4.4 in	AS568A-015
9240	121 mm / 4.8 in	AS568A-118

Table 2

Code	Removal Ratings
D	0.05 µm
T	0.1 µm
R	0.2 µm

Table 3

Code	O-ring Materials
H11	Perfluoroelastomer
J	EPDM

Representative example part numbers

MCD9116UFREJ	MCD9140UFREH	MCD9240UFTEH11
MCD9116UFREH11	MCD9140UFREJ	MCD9240UFDEH11
MCD9116UFTEH	MCD9140UFREH11	
MCD9116UFTEJ	MCD9140UFTEJ	
MCD9116UFTEH11	MCD9140UFTEH11	
MCD9116UFDEH	MCD9140UFDEH	
MCD9116UFDEJ	MCD9140UFDEJ	
MCD9116UFDEH11	MCD9140UFDEH11	



Microelectronics

25 Harbor Park Drive
Port Washington, NY 11050
+1 516 484 3600 telephone
+1 800 360 7255 toll free US

Nihon Pall Ltd.

6-5-1, Nishishinjuku,
Shinjuku-ku
Tokyo 163-1325 Japan
+81 3 6901 5700 telephone
+81 3 5322 2109 fax

Visit us on the Web at www.pall.com/microelectronics
Contact us at www.pall.com/contact

Pall Corporation has offices and plants throughout the world. To locate the Pall office or distributor nearest you, visit www.pall.com/contact.

The information provided in this literature was reviewed for accuracy at the time of publication. Product data may be subject to change without notice. For current information consult your local Pall distributor or contact Pall directly.

IF APPLICABLE Please contact Pall Corporation to verify that the product conforms to your national legislation and/or regional regulatory requirements for water and food contact use.

© Copyright 2023, Pall Corporation. Pall, , Ultipleat, and PhotoKleen are trademarks of Pall Corporation. ® Indicates a trademark registered in the USA.