

## Gaskleen® TM Filter Assemblies 1 1/8" C-Seal

### Description

Pall's Gaskleen Top Mount (TM) filter assemblies are designed for  $\geq 3$  nm filtration of semiconductor process gases. The top mount filter is ideally suited for integrated gas delivery systems, providing easy access and changeout.

- 316L stainless steel housing
- State-of-the-art filter medium
- High temperature and pressure capabilities.
- Excellent gas displacement and desorption characteristics
- 100 % helium leak tested
- Manufactured and packaged in a cleanroom environment



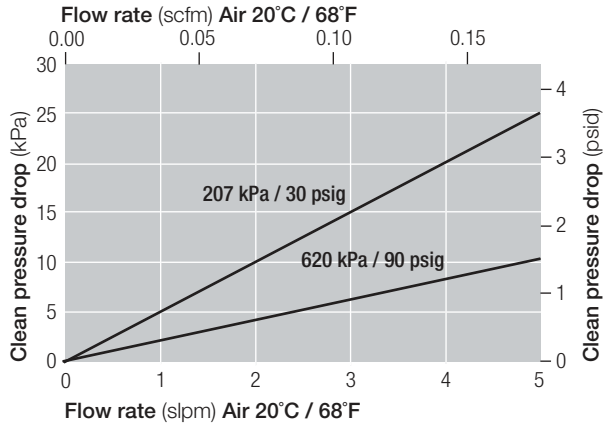
### Specifications

#### Materials of Construction

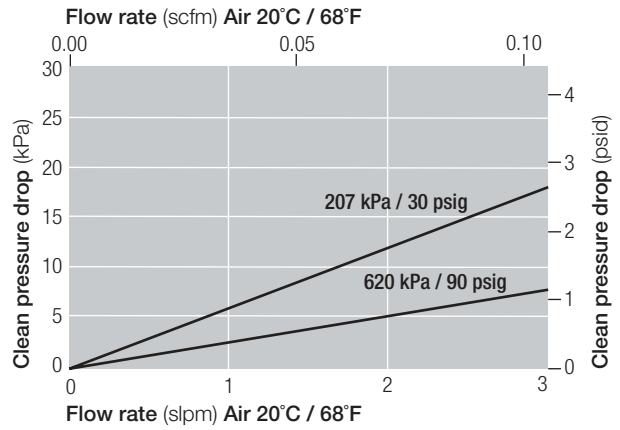
<b>Filter Medium</b>	GTMF1013CC4 : 316L stainless steel GTMF3700CC4 : 316L stainless steel GTMN1013CC4 : Nickel GTMP3101CC4 : PTFE
<b>Internal Surface Finish</b>	$\leq 5 \mu\text{in } R_a / 0.13 \mu\text{m}$
<b>Housing</b>	316L stainless steel Housing material meets or exceeds VIM/VAR specifications. EU pressure equipment directive: Assemblies have been evaluated and designed using SEP per the European Union's Pressure Equipment Directive 2014/68/EU and are not CE marked.
<b>Internal housing surface chemistry</b>	Cr:Fe (1:1) chromium-enriched
<b>Core and end caps (GTMP3101CC4)</b>	PFA
<b>O-ring (GTMP3101CC4)</b>	FEP encapsulated fluorocarbon

<b>Removal Rating</b>	$\geq 3$ nm
<b>Particle Removal Characteristics</b>	GTMF1013CC4 : $10^9$ particle reduction up to 5 slpm GTMN1013CC4 : $10^9$ particle reduction up to 3 slpm GTMP3101CC4 : $10^9$ particle reduction up to 75 slpm GTMF3700CC4 : $10^9$ particle reduction up to 100 slpm
<b>Connections</b>	C-seal, 1 1/8" interface
<b>Leak Rating</b>	100% helium leak tested to $10^{-9}$ atm $\text{cm}^3 / \text{sec}$ Design validated to $10^{-11}$ atm $\text{cm}^3 / \text{sec}$
<b>Design Pressure (Maximum Operating Pressure)</b>	3.5 MPa @ 100 °C / 500 psig @ 212 °F
<b>Maximum Allowable Differential Pressure</b>	GTMF1013CC4 / GTMN1013CC4 / GTMF3700CC4 0.7 MPa @ 38 °C / 100 psid @ 100 °F GTMP3101CC4 0.6 MPa @ 121 °C / 80 psid @ 250 °F

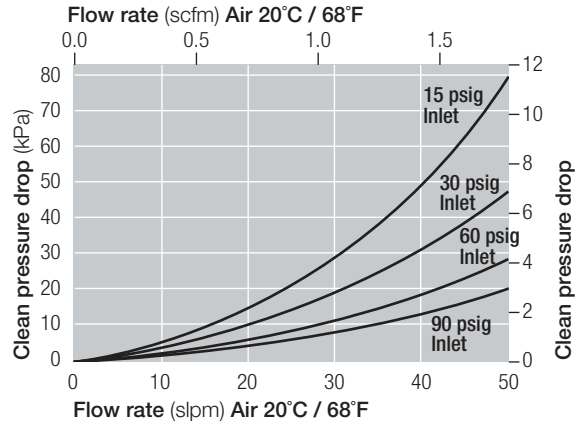
# Pressure Drop vs. Air Flow Rate



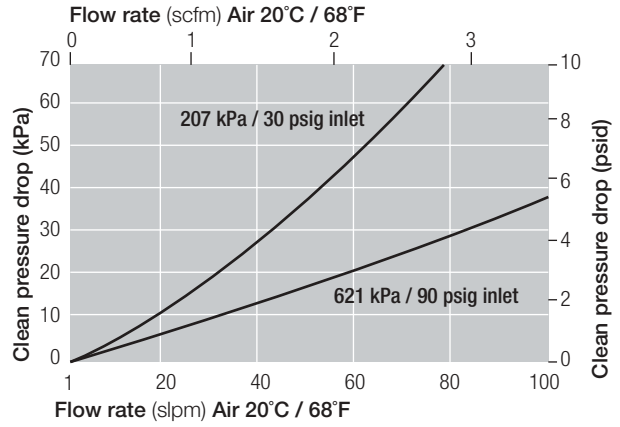
**GTMF1013CC4**



**GTMN1013CC4**

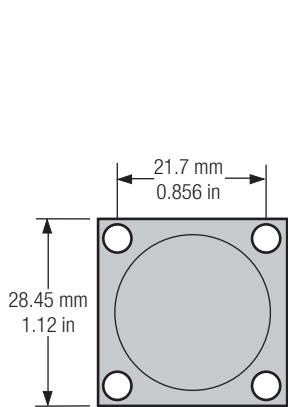


**GTMP3101CC4**

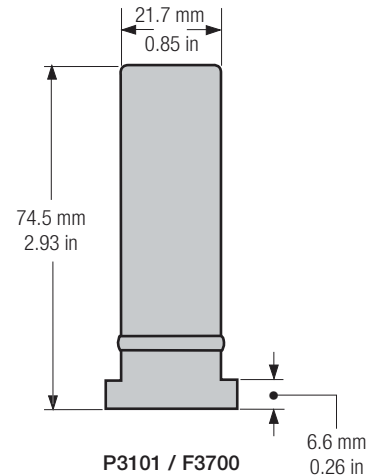
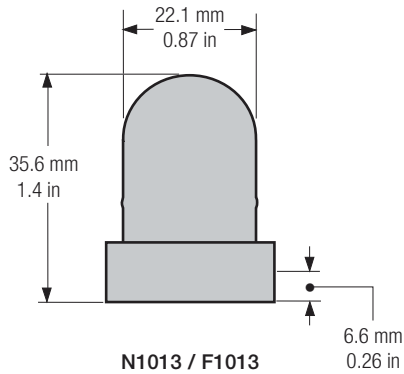


**GTMF3700CC4**

# Dimensions



Top view for all parts



## Part Numbers / Ordering Information

Part Number	Description	Nominal Height (mm / in)	Nominal Shell Diameter (mm / in)	Design Flow Rate (slpm)
GTMF1013CC4	All 316 L stainless steel	35.6 / 1.4	22.1 / 0.87	0 – 5
GTMN1013CC4	316 L stainless steel housing Nickel filter	35.6 / 1.4	22.1 / 0.87	0 – 3
GTMP3101CC4	316 L stainless steel housing All fluoropolymer element	74.5 / 2.93	21.7 / 0.85	0 – 75
GTMF3700CC4	All 316 L stainless steel	74.5 / 2.93	21.7 / 0.85	0 – 100



Pall Corporation

### Microelectronics

25 Harbor Park Drive  
Port Washington, NY 11050  
+1 800 360 7255 toll free US  
+1 516 484 3600 telephone  
+1 516 801 9711 fax


### Nihon Pall Ltd.

6-5-1, Nishishinjuku,  
Shinjuku-ku  
Tokyo 163-1325 Japan  
+81 3 6901 5700 telephone  
+81 3 5322 2109 fax

### Visit us on the Web at [microelectronics.pall.com](http://microelectronics.pall.com)

Pall Corporation has offices and plants throughout the world. For Pall representatives in your area, please go to [www.pall.com/corporate\\_contact.asp](http://www.pall.com/corporate_contact.asp).

Because of technological developments related to the products, systems, and/or services described herein, the data and procedures are subject to change without notice. Please consult your Pall representative or visit [www.pall.com](http://www.pall.com) to verify that this information remains valid.

© Copyright 2019, Pall Corporation. Pall, , and Gaskleen are trademarks of Pall Corporation. ® Indicates a trademark registered in the USA. *Filtration. Separation. Solution.<sup>SM</sup>* is a service mark of Pall Corporation.