

## Description

The PhotoKleen PF filter is designed for extremely small-volume dispense applications where low hold-up volume and cleanliness is critical. The PhotoKleen PF filter unit consists of quick disconnect head manifold and the all fluoropolymer capsule. This configuration allows for safe, quick and easy filter change-outs. Cleanliness and compatibility are ensured by the all fluoropolymer construction.

## Features & Benefits

- Capsule-style filter assembly same as the PhotoKleen EZD-2 filter
- Top in / top out flow direction, with inlet flow stream down to the bottom
- Easy filter replacement (one step)
- All fluoropolymer construction
- PTFE media 0.1 and 0.2  $\mu\text{m}$  grade available
- Minimized hold-up volume (50 mL)
- Optimized for 60 mm-width footprint
- Reduces chemical waste during filter startup and change out



PhotoKleen PF Filters are designed to fit into all PhotoKleen EZD-2 series head manifolds.

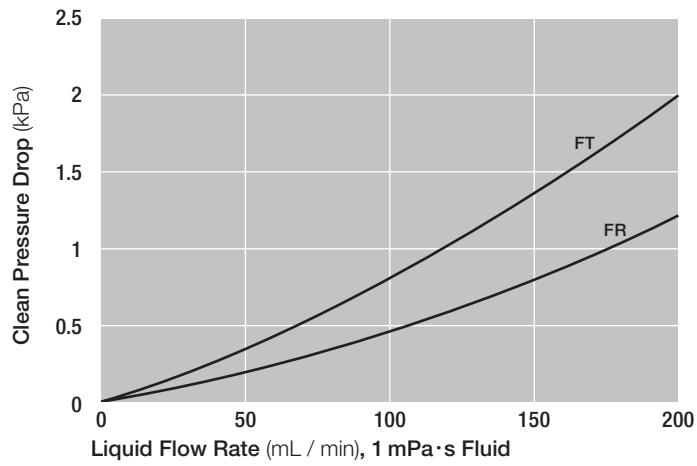
## Specifications

### Materials of Construction

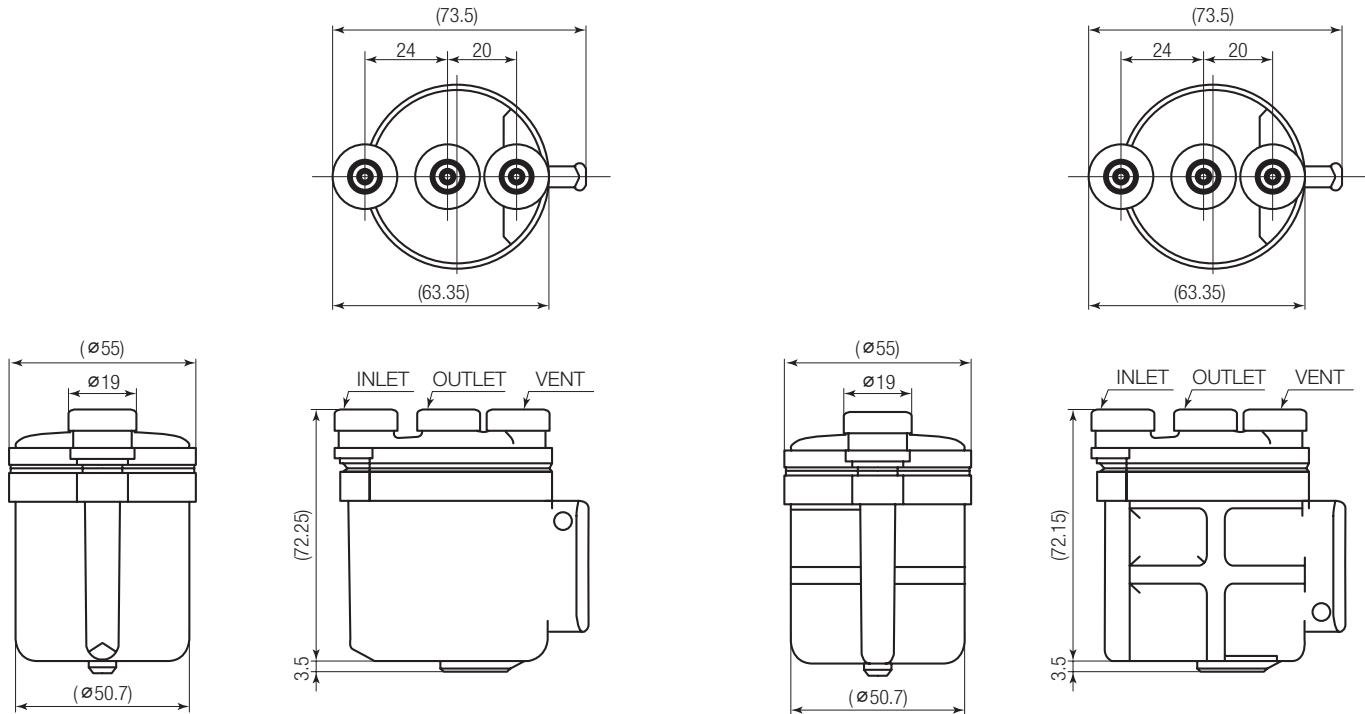
Components	Materials
Filter Media	PTFE
Support and Drainage	PFA
Core, Cage, and End Caps	PFA
Housing	PFA
O-ring	Perfluoroelastomer

Removal Ratings	0.1 $\mu\text{m}$ , 0.2 $\mu\text{m}$
Filter Area	900 $\text{cm}^2$
Maximum Operating Temperature	50 $^{\circ}\text{C}$ / 122 $^{\circ}\text{F}$
Maximum Operating Pressure	0.29 MPaG @ 30 $^{\circ}\text{C}$ / 42 psig @ 86 $^{\circ}\text{F}$

## Typical Flow Characteristics - 1cP fluid, 20 °C



## Dimensions<sup>1</sup>



<sup>1</sup> PhotoKleen EZD-2 head manifolds are compatible with PhotoKleen PF capsules.

## Part Numbers / Ordering Information

PHF12UC 1 E 2

**Table 1**

Code	Filter Media	Removal Ratings
FT	PTFE	0.1 $\mu\text{m}$
FR		0.2 $\mu\text{m}$

**Table 2**

Code	O-ring Options
H11	Perfluoroelastomer

## Dummy Cartridge

Parts Number	O-ring Options	Memo
PHFC11H11C	Perfluoroelastomer	Dummy cartridge for system start up



**Microelectronics**

25 Harbor Park Drive  
Port Washington, NY 11050  
+1 516 484 3600 telephone  
+1 800 360 7255 toll free US

**Nihon Pall Ltd.**

6-5-1, Nishishinjuku,  
Shinjuku-ku  
Tokyo 163-1325 Japan  
+81 3 6901 5700 telephone  
+81 3 5322 2109 fax

Visit us on the Web at [www.pall.com/microelectronics](http://www.pall.com/microelectronics)  
Contact us at [www.pall.com/contact](http://www.pall.com/contact)

Pall Corporation has offices and plants throughout the world. To locate the Pall office or distributor nearest you, visit [www.pall.com/contact](http://www.pall.com/contact).

The information provided in this literature was reviewed for accuracy at the time of publication. Product data may be subject to change without notice. For current information consult your local Pall distributor or contact Pall directly.

*IF APPLICABLE* Please contact Pall Corporation to verify that the product conforms to your national legislation and/or regional regulatory requirements for water and food contact use.

© Copyright 2023, Pall Corporation. Pall, , and PhotoKleen are trademarks of Pall Corporation. ® Indicates a trademark registered in the USA.