

## Description

Ultipleat PK filter cartridges are designed for high flow rate, aqueous applications required on 7G and 8G to 10.5G liquid crystal display (LCD) processes. These filters can handle flow rates in excess of 300 L/min, thereby reducing the system footprint and change-out costs. Ultipleat PK filters are available in four filter media types; polypropylene, highly asymmetric hydrophilic polysulfone, hydrophilic polyethersulfone and PTFE with removal ratings from 0.03 µm to 40 µm.

## Features & Benefits

- Ideally suited for most LCD wet processing applications, such as substrate cleaning, etching, stripping and DI water flushing
- Broad choice of membranes and removal ratings for ease of filter selection
- Unique, Ultipleat filter construction allows for high flow rates
- Compact design makes for efficient filter change-outs, thus reducing equipment down-time



## Materials of Construction

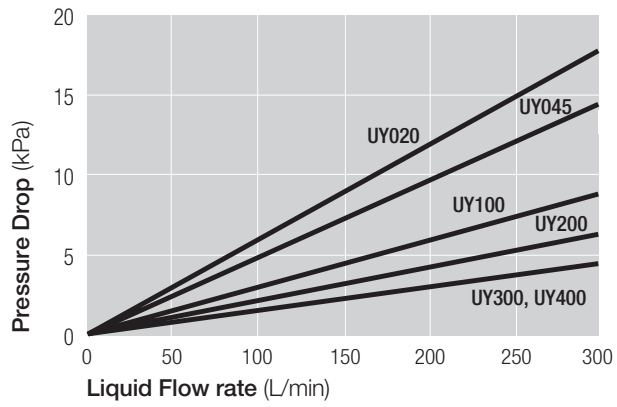
Components	Materials			
Filter media	Polypropylene	Highly asymmetric, hydrophilic polysulfone	Hydrophilic polyethersulfone	PTFE
Support	Polypropylene			
Core	Polypropylene			
End caps	Polypropylene			
Sealing options	EPDM (U-cup), Fluoroelastomer (U-cup), FEP encapsulated Fluoroelastomer			

## Specifications

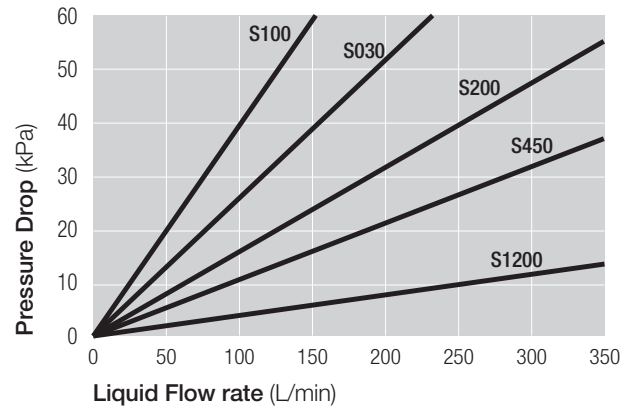
Filter media	Polypropylene	Highly asymmetric, hydrophilic polysulfone	Hydrophilic polyethersulfone	PTFE
Removal Ratings (µm)	2, 4.5, 10, 20, 30, 40	0.03, 0.1, 0.2, 0.45	1.2	0.2, 1, 3, 10
Maximum Operating Temperature	80 °C / 176 °F			
Maximum Differential Pressure	0.41 MPa @ 20 °C / 60 psid @ 68 °F 0.34 MPa @ 50 °C / 50 psid @ 122 °F 0.31 MPa @ 80 °C / 45 psid @ 176 °F			
Housing Reference	Ultipleat PK housing : Part Number : UPKTV-1GU32J (PVC components) (Please contact your Pall representative for information on our stainless steel housings)			

## Typical Flow Characteristics - 1 cP fluid, 20°C

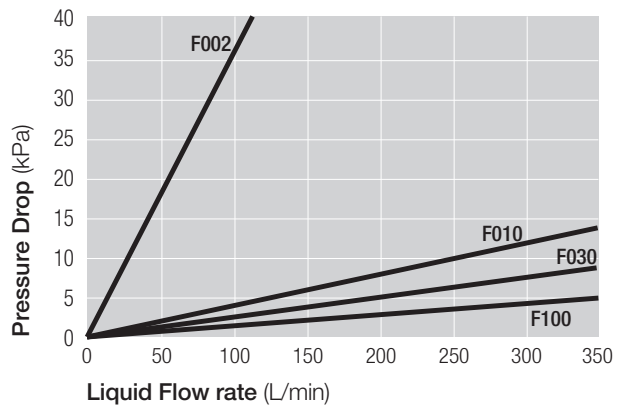
### Polypropylene



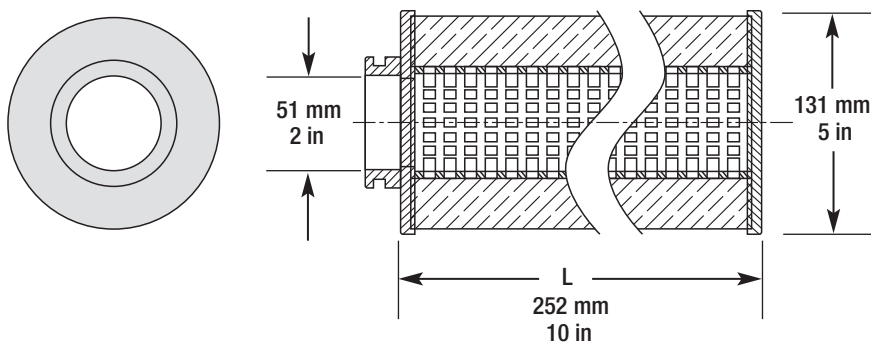
### Polysulfone and Polyethersulfone



### PTFE



## Dimensions



## Part Numbers / Ordering Information

UPK510 1 2 3

**Table 1**

Code	Filter Media	Removal ratings (µm)
UY020	Polypropylene	2
UY045		4.5
UY100		10
UY200		20
UY300		30
UY400		40
S030		0.03
S100	Highly asymmetric, hydrophilic polysulfone	0.1
S200		0.2
S450		0.45
S1200	Hydrophilic polyethersulfone	1.2
F002	PTFE	0.2
F010		1
F030		3
F100		10

**Table 2**

Code	O-ring materials
JU <sup>1</sup>	EPDM (U cup)
J	EPDM
HU	Fluoroelastomer (U cup)
H1 <sup>2</sup>	FEP encapsulated fluoroelastomer

<sup>1</sup> Standard for Polypropylene and Highly asymmetric hydrophilic polysulfone and Hydrophilic polyethersulfone media

<sup>2</sup> Standard for PTFE media

**Table 3**

Code	Package Option
None	6 pcs / Pack
M144	144 pcs / Palette

### Filter Cartridge for flushing UPK510UYFJ

(A special filter cartridges for flushing debris from the system upon initial startup)

### Representative example part numbers

#### (Polypropylene Media)

UPK510UY020JU  
UPK510UY045JU  
UPK510UY100JU  
UPK510UY200JU  
UPK510UY300JU  
UPK510UY400JU

#### (Hydrophilic Polyethersulfone Media)

UPK510S1200JU

#### (PTFE Media)

UPK510F002H1  
UPK510F010H1  
UPK510F030H1  
UPK510F100H1

#### (Highly Asymmetric Hydrophilic Polysulfone Media)

UPK510S030JU  
UPK510S100JU  
UPK510S200JU  
UPK510S450JU



Pall Corporation

#### Microelectronics

25 Harbor Park Drive  
Port Washington, NY 11050  
+1 800 360 7255 toll free US  
+1 516 484 3600 telephone  
+1 516 801 9711 fax

#### Nihon Pall Ltd

6-5-1, Nishishinjuku,  
Shinjuku-ku Tokyo  
163-1325 Japan  
+81 3 6901 5700 telephone  
+81 3 5322 2109 fax

### Visit us on the Web at [microelectronics.pall.com](http://microelectronics.pall.com)

Pall Corporation has offices and plants throughout the world. For Pall representatives in your area, please go to [www.pall.com/corporate\\_contact.asp](http://www.pall.com/corporate_contact.asp).

Because of technological developments related to the products, systems, and/or services described herein, the data and procedures are subject to change without notice. Please consult your Pall representative or visit [www.pall.com](http://www.pall.com) to verify that this information remains valid.

© Copyright 2020, Pall Corporation. Pall, , and Ultipleate are trademarks of Pall Corporation.

® Indicates a trademark registered in the USA. *Filtration. Separation. Solution.<sup>sm</sup>* is a service mark of Pall Corporation.