

Description

The Pall Silt Density Index (SDI) test is a method often used to determine the effectiveness of a pre-treatment process to reduce the fouling tendency of feed water. This test, most suited for field application, references two American Society for Testing and Materials (ASTM) Standards, the original D 4189-95 (reapproved in 2002) and the current ASTM standard D 4189-07.

Benefits

Regular SDI measurements allow the ability to:

- choose the correct and economical water pre-treatment
- determine the effectiveness of a pre-treatment process
- monitor periodically operation of the water treatment sequence
- follow water quality changes over time
- detect “difficult” contaminants such as colloids in the feed water

General Instructions for Use

See Technical Guidance document FBSDITGENc provided with the kit.

Ordering information

Part number: **SDIKIT1**

Part Number	Description
NX047100	Spare box of 47 mm 0.45 µm Nylon membranes

Table 1: Accessories not provided:

Part Number	Description
SDIPV	Pressurized 19 L (5 gal) vessel ¹
51147	Stainless steel forceps
7242	Petri dishes (100 per pack)

¹ Provided with gas and liquid connectors and relief valve

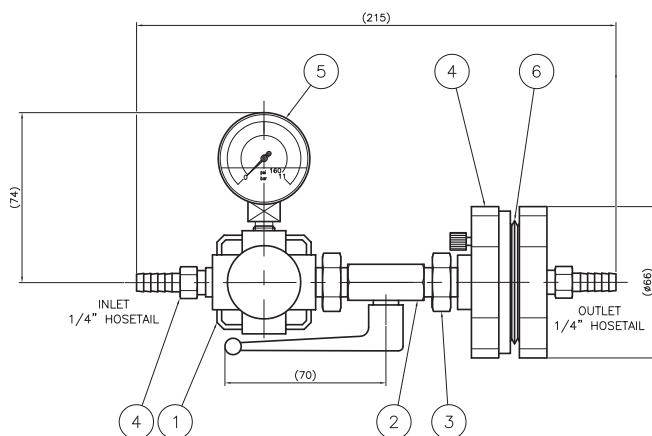
Pall® Silt Density Index Kit

To measure the fouling potential of water



Description of the kit

- Suitcase with foam inserts
- 500 mL graduated cylinder
- Box of 47 mm 0.45 µm Nylon membranes (NX047100)
- Technical guidance FBSDITGENc
- SDI device: see drawing



- 1) Pressure reducing valve 3) Equal Nipple ¼ BSP F/F 5) Pressure gauge 0 – 6 bar / psi
 2) Ball valve ¼ BSP F/F 4) 47 mm filter disc holder 6) 0.45 µm membrane