

FMO Series Filter Housings

Multi-Purpose Non-Code Housing rated to 150 PSIG (10.3 BAR)

- Head and Shell Constructed of 18 Gauge Stainless Steel for Years of Dependable Service
- Accepts six 10" (25.4 cm), 20" (50.8 cm), 30" (76.2 cm) or 40" (102 cm) Cartridges for Optimum Choice for a Given Flow Rate
- Swing Bolt Closure Permits Quick Disassembly for Easy Cleaning and Service
- Operating Pressure to 150 PSIG (10.3 BAR) @ 200°F (93°C) Permits Use in Most Non-Code Applications
- 304 or 316L Stainless Steel Materials of Construction

Housing Specifications

Maximum Operating Pressure:

150 psig (10.3 bar) @ 200°F (93°C)

NOTE: Maximum operating pressure ratings are vessel ratings only. Safe operating temperature and pressure will depend on filter cartridge and gasket/O-ring used. For inquiries on compatibility, contact the factory or your Pall distributor.

| Construction: | FMO A | FMO 316L |
|---------------------|----------------------|----------------------|
| Head & Shell: | 304 Stainless Steel | 316L Stainless Steel |
| Vent & Drain Plugs: | 304 Stainless Steel | 316 Stainless Steel |
| Bottom Seat Plates: | 316L Stainless Steel | 316L Stainless Steel |

Connections:

| | |
|---------------|--------------------------|
| Inlet/Outlet: | 2" NPT |
| Vent: | 1/4" NPT (cover) |
| Drain: | 1/2" NPT (upstream side) |

Shell O-rings:

Ethylene Propylene (standard),
Buna N, Viton¹ A

Eye Nut Option:

Eye nuts for swing bolt closure are available. Standard unit supplied with hex nuts.

All closure bolting is zinc plated steel unless stainless steel is specified.

Connection Option:

150 lb. ANSI raised face slip-on flanges.



Internal Components:

316 stainless steel top seat plate assemblies and tube guides, and spacers are standard with internal parts option. ACCU-SEAL™ and UNI-SEAL™ sealing mechanisms are optional.

¹ Registered trademark of Dupont Dow.

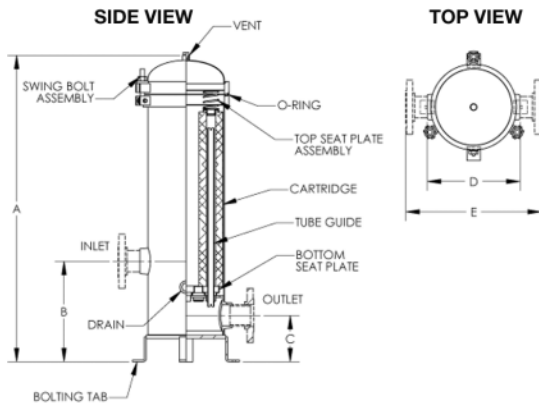
Dimensional Data (nominal)

| Model | Liquid ² Flow Rate (gpm) | Dimensions (inches) | | | | | Maximum Cartridge Diameter (inches) | Weight (pounds) | Head Clearance ³ Required For Cartridge Removal (inches) |
|------------------|-------------------------------------|---------------------|------------------|---------------|-------------------|--------------|-------------------------------------|-----------------|---|
| | | A | B | C | D | E | | | |
| 6FMO1A-2-IP | to 30 (114 lpm) | 24 (61 cm) | 11 1/8 (28.3 cm) | 5 1/8 (13 cm) | 10 3/16 (25.9 cm) | 15 (38.1 cm) | 2 1/16 (6.8 cm) | 42 (19 kg) | 30 (76.2 cm) |
| 12FMO2A-2-IP | to 60 (227 lpm) | 34 (86.4 cm) | 11 1/8 (28.3 cm) | 5 1/8 (13 cm) | 10 3/16 (25.9 cm) | 15 (38.1 cm) | 2 1/16 (6.8 cm) | 45 (20 kg) | 50 (127 cm) |
| 18FMO3A-2-IP | to 90 (341 lpm) | 45 (114.3 cm) | 11 1/8 (28.3 cm) | 5 1/8 (13 cm) | 10 3/16 (25.9 cm) | 15 (38.1 cm) | 2 1/16 (6.8 cm) | 48 (22 kg) | 71 (180.3 cm) |
| 24FMO4A-2-IP | to 120 (454 lpm) | 56 (142.2 cm) | 11 1/8 (28.3 cm) | 5 1/8 (13 cm) | 10 3/16 (25.9 cm) | 15 (38.1 cm) | 2 1/16 (6.8 cm) | 51 (23 kg) | 91 (231.1 cm) |
| 6FMO1-316L-2-IP | to 30 (114 lpm) | 24 (61 cm) | 11 1/8 (28.3 cm) | 5 1/8 (13 cm) | 10 3/16 (25.9 cm) | 15 (38.1 cm) | 2 1/16 (6.8 cm) | 42 (19 kg) | 30 (76.2 cm) |
| 12FMO2-316L-2-IP | to 60 (227 lpm) | 34 (86.4 cm) | 11 1/8 (28.3 cm) | 5 1/8 (13 cm) | 10 3/16 (25.9 cm) | 15 (38.1 cm) | 2 1/16 (6.8 cm) | 45 (20 kg) | 50 (127 cm) |
| 18FMO3-316L-2-IP | to 90 (341 lpm) | 45 (114.3 cm) | 11 1/8 (28.3 cm) | 5 1/8 (13 cm) | 10 3/16 (25.9 cm) | 15 (38.1 cm) | 2 1/16 (6.8 cm) | 48 (22 kg) | 71 (180.3 cm) |
| 24FMO4-316L-2-IP | to 120 (454 lpm) | 56 (142.2 cm) | 11 1/8 (28.3 cm) | 5 1/8 (13 cm) | 10 3/16 (25.9 cm) | 15 (38.1 cm) | 2 1/16 (6.8 cm) | 51 (23 kg) | 91 (231.1 cm) |

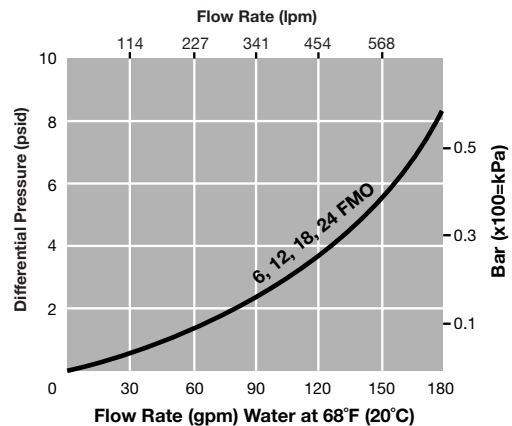
² Flow rate is dependent upon cartridge selection, fluid viscosity, and allowable pressure drop. See graph below for housing pressure drop at various flow rates. Refer to specific cartridge nomograph to determine initial pressure drop due to the filter cartridges. The 24FMO may be used to provide longer cartridge life and lower initial pressure drop. However, a flow rate in excess of 180 gpm (681 lpm) is not recommended with 2" (5.1 cm) connections.

³ Ten-inch (25.4 cm) cartridges may be used instead of 20" (50.8 cm), 30" (76.2 cm), or 40" (102 cm) cartridges in 2, 3, or 4-deck housings, which will reduce this height. For 316 stainless steel spacers, specify part #T10583032.

- Inlet and outlet connections assume normal flow.
- For optional eye nuts to replace hex nuts, specify Part #T10640030 (3 required).



Housing Differential Pressure vs. Liquid Flow Rate



For liquids other than water, multiply differential pressure by specific gravity.

Part Numbers/Ordering Information

■ FMO ● ▶ ◆ ▼ – ◐ (e.g. 12FMO2A-2F-IP)

| Code | No. of 10" Equivalents |
|------|------------------------|
| 6 | 6 |
| 12 | 12 |
| 18 | 18 |
| 24 | 24 |

| Code | Cartridge Lengths |
|------|-------------------|
| 1 | 10" |
| 2 | 20" |
| 3 | 30" |
| 4 | 40" |

| Code | Materials of Construction |
|------|---------------------------|
| A | 304 Stainless Steel |
| 316L | 316L Stainless Steel |

| Code | Inlet/Outlet Connection Sizes |
|------|-------------------------------|
| 2 | 2" NPT (standard) |

| Code | Connection Styles |
|-------|-------------------|
| Blank | NPT |
| F | Flange |

| Code | Internal Parts ⁴ |
|-------|-----------------------------|
| Blank | No Internal Parts |
| IP | Internal Parts |

⁴ Standard vessels include internal parts of top seat plates and tube guides. Basic vessels without internal parts may be ordered as non-stock items.



2200 Northern Boulevard
East Hills, New York 11548-1289

1.800.FILTERS toll free
516.484.5400 phone
516.484.0364 fax
information@pall.com e-mail

Filtration. Separation. Solution.sm

Visit us on the Web at www.pall.com

Pall Corporation has offices and plants throughout the world in locations including: Argentina, Australia, Austria, Belgium, Brazil, Canada, China, France, Germany, Hong Kong, India, Indonesia, Ireland, Italy, Japan, Korea, Malaysia, Mexico, the Netherlands, New Zealand, Norway, Poland, Puerto Rico, Russia, Singapore, South Africa, Spain, Sweden, Switzerland, Taiwan, Thailand, United Kingdom, United States, and Venezuela. Distributors are located in all major industrial areas of the world.

© Copyright 2004, Pall Corporation. Pall, ACCU-SEAL and UNI-SEAL are trademarks of Pall Corporation. ◐ Indicates a Pall trademark registered in the USA. Filtration. Separation. Solution.sm is a service mark of Pall Corporation.