

LMO Spring Seal Series

Filter Housings



1716-15C

Self-Adjusting Sealing Device Ensures Positive Filter Cartridge Seal

- Provides positive sealing of non-compressible filters¹ such as pleated, carbon, metallic, and membrane cartridges
- Accepts 10.2 cm (4 in), 25.4 cm (10 in), 50.8 cm (20 in), or 76.2 cm (30 in) DOE filter cartridges²
- O-ring head and shell seal minimizes fluid leakage
- In-line inlet and outlet connections for easy installation
- Cast iron and 316 stainless steel or all 316 stainless steel materials of construction

Housing Specifications

Maximum operating pressure

7.2 bar (105 psig) @ 93°C (200°F)

European Pressure Equipment Directive (PED) 2104/86/EU. ATEX Directive 2014/34/EU (Group II Category 2).

Construction	Head ³	Shell
LMOSS:	Cast iron ⁴	316 stainless steel
LMOSS S:	Cast 316 stainless steel	316 stainless steel

Connections

Inlet/outlet:	1/2", 3/4", or 1" NP
Drain:	LMOSS: Drain plug, 316 stainless steel, 1/4" NPT
	LMOSS S: Drain plug, 316 stainless steel, 1/4" NPT

Shell O-rings	Ethylene propylene (standard), nitrile, FEP, fluorocarbon elastomer, neoprene, silicone elastomer
---------------	---

Cover nut O-ring	FEP (standard)
------------------	----------------



Bracket option

Stainless steel brackets are available as a standard option.

T-Handle option

T-handle cover nuts are available in carbon steel or 316 stainless steel. Standard units are supplied with hex head cover nut.

Flange option

150 lb. ANSI raised face flanges are available on the 316 stainless steel units only.

¹ The LMO Spring Seal Series housing is not recommended for metallic cartridges. For metallic cartridges use the LMO Vari-Seal™ housing only.

² When fitting with 10.2 cm (4 in) DOE filters, please order filters under Code 550 to assure proper fit.

³ Housing head has mounting bosses which accept self-tapping screws.

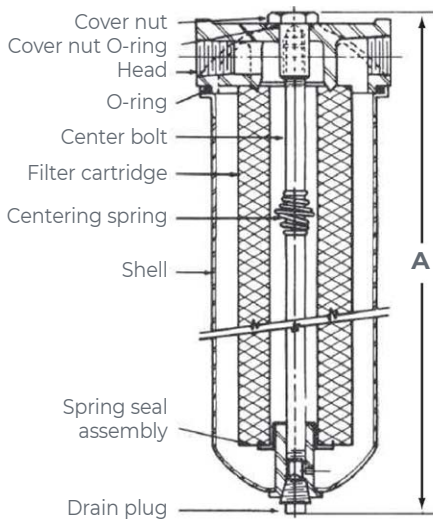
⁴ Painted exterior.

Dimensional Data (nominal)

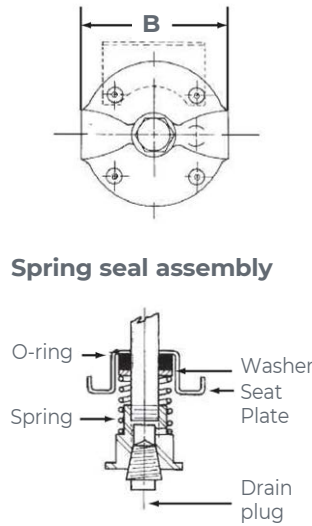
Model	Connecton Size			Flow Rate ⁵ lpm (gpm)	Dimensions cm (in)		Sealing Distance cm (in)	Weight kg (lb)
	1/2"	3/4"	1"		A	B		
LMOSS10		X	X	to 37.9 (10)	34.3 (13.5)	12.1 (4.75)	24.8 - 25.6 (9.75 - 10.06)	3.1 (6.75)
LMOSS20		X	X	to 75.7 (20)	59.7 (23.5)	12.1 (4.75)	50.2 - 51.1 (19.75 - 20.13)	4.1 (9)
LMOSS10S	X	X	X	to 37.9 (10)	34.3 (13.5)	12.1 (4.75)	24.8 - 25.6 (9.75 - 10.06)	3.1 (6.75)
LMOSS20S		X	X	to 75.7 (20)	59.7 (23.5)	12.1 (4.75)	74.9 - 76.7 (19.5 - 20.125)	4.1 (9)
LMOSS30S		X	X	to 113.6 (30)	85.1 (33.5)	12.1 (4.75)	49.5 - 51.1 (29.5 - 30.19)	5.1 (11.25)

⁵ Dependent upon cartridge selection, fluid viscosity and allowable pressure drop at various flow rates. Refer to cartridge nomograph to determine initial pressure drop of filter cartridge.

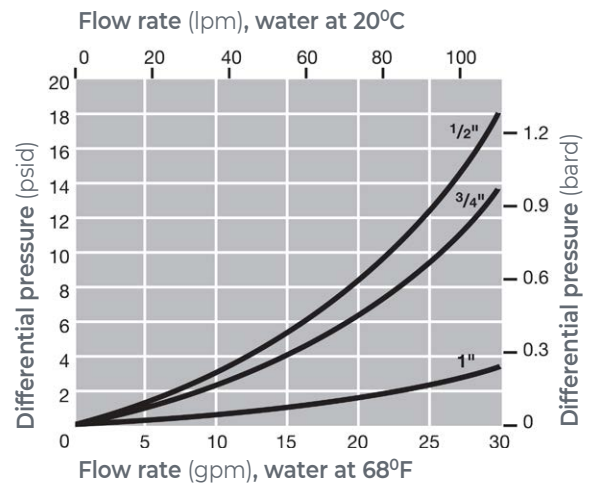
Side View



Top View



Housing Differential Pressure vs. Liquid Flow Rate

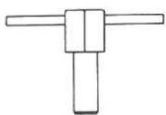


Unit Conversion: 1 bar = 100 kPa

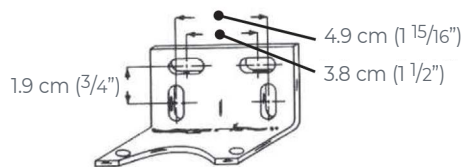
For liquids other than water, multiply differential pressure by specific gravity.

Options

T-Handle



Universal mounting bracket



Pall Part Numbers / Ordering Information

Pall Part Number = LMOSS 1 2 - 3 4

Table 1

Code	Cartridge lengths (cm/in)
4 ²	10.2/4
10	25.4/10
20	50.8/20
30	76.2/30

Table 2

Code	Materials of construction
Blank	Cast iron and 316 stainless steel
S	316 stainless steel

Table 3

Code	Connection sizes
1/2	1/2"
3/4	3/4"
1	1"

Table 4

Code	Connection styles
Blank	NPT
F	Flange ⁶

⁶ Flanges on the LMOS are welded to the cast head. Flanges are not available on the LMO models.



PALL CORPORATION

Corporate Headquarters
Port Washington, NY, USA
+1-800-717-7255 toll free (USA)
+1-516-484-5400 phone

European Headquarters
Fribourg, Switzerland
+41 (0)26 350 53 00 phone

Asia-Pacific Headquarters
Singapore
+65 6389 6500 phone

Visit us on the Web at www.pall.com/industry
Contact us at www.pall.com/contact

Pall Corporation has offices and plants throughout the world. To locate the Pall office or distributor nearest you, visit www.pall.com/contact.

The information provided in this literature was reviewed for accuracy at the time of publication. Product data may be subject to change without notice. For current information consult your local Pall distributor or contact Pall directly.

IF APPLICABLE Please contact Pall Corporation to verify that the product conforms to your national legislation and/or regional regulatory requirements for water and food contact use.

© Copyright 2021, Pall Corporation. Pall and are trademarks of Pall Corporation.
® Indicates a trademark registered in the USA.

1716-15C
July 2021