



MARKSMAN™ Carbon Steel Series Filter Housings

For Use With Marksman Series Filter Elements

- 1-Around Model Available
- Other Sizes Available Upon Request¹
- ASME U and UM Stamps Available
- Housings Constructed of Carbon Steel
- Basket Included
- Swing Bolt Closure Design Ensures Secure Sealing and Easy Change Out
- Adjustable Length Legs and Side In/Bottom Out Flow Design

Housing Specifications

Maximum Operating Pressure:

Carbon Steel: 150 psig (10.3 bar) @ 200°F (93°C)

NOTE: Maximum operating pressure ratings are vessel ratings only. Safe operating temperature and pressure will depend on filter cartridge and gasket used. For inquiries on compatibility, contact the factory or your Pall distributor.

Construction:

Non-Code: Available for all sizes (standard)
Code: ASME U or UM stamp available¹ upon request.

Connections:

Inlet/Outlet: 2" NPT for 1-Around, Size #1 Model
3" NPT for 1-Around, Size #2 Model
Drain: 1" NPT
Vent: 1/4" NPT
Gauge: 1/4" NPT (Upstream/Downstream)

Shell O-rings: Nitrile, Silicone Elastomer, Neoprene, Ethylene Propylene, Fluorocarbon Elastomer

Filter Element Specifications

Marksman POLY-FINE®, Marksman Poly-Fine XLD and Marksman NEXIS® A Series elements are available for use in Marksman Housings. Size 1 and 2 cartridges are available with our proprietary sliding flange. Refer to individual data sheets for detailed information on Marksman Series filter elements.

¹ - For details, consult Pall Technical Services.



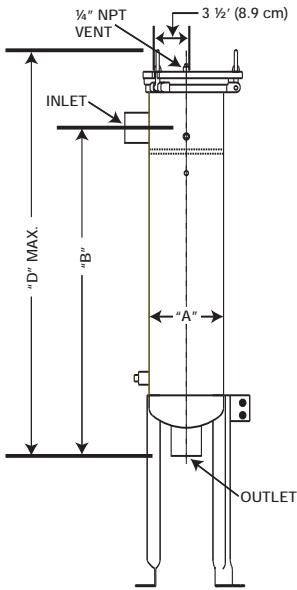
Dimensional Data (nominal)

Model	Number of Cartridges	Size (nominal)	Code	Liquid Flow Rate ² (gpm)	Dimensions (inches)							Dry Weight (pounds) ³
					A (shell OD)	B (NPT)	C (Flanged)	D (height)	E (NPT)	F (Flanged)	Inlet/Outlet	
1MAR1	1	1	N	60 (227 lpm)	8.6 (21.8 cm)	24.7 (62.7 cm)	25.9 (65.8 cm)	43.0 (109.2 cm)	5.3 (13.5 cm)	6.7 (17.0 cm)	2.0 (5.1 cm)	125 (56.7 kg)
1MAR2	1	2	N	120 (454 lpm)	8.6 (21.8 cm)	24.7 (62.7 cm)	25.9 (65.8 cm)	57.0 (144.8 cm)	5.4 (13.7 cm)	7.1 (18.0 cm)	3.0 (7.6 cm)	145 (65.8 kg)

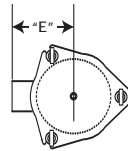
² - Flow rates listed are for depth cartridges. Consult factory for more specific information.

³ - Weights listed are for vessels with flange connections.

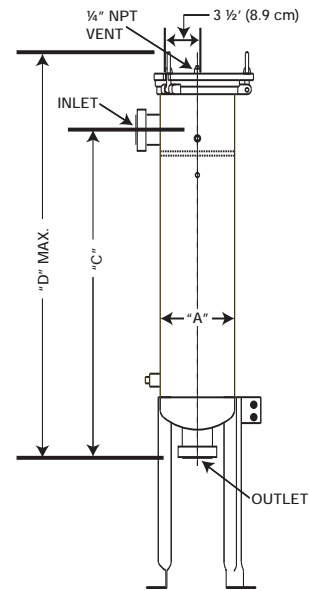
Side View (NPT Housing)



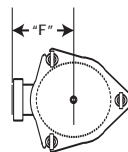
Top View (NPT Housing)



Side View (Flanged Housing)



Top View (Flanged Housing)



Part Numbers/Ordering Information

P ■ MAR ● -CS - ◆ ▼ - ■ 150 (e.g. P1MAR1-CS-2-150)

Code	No. of Marksman Element
1	1

Code	Size (nominal)
1	Size 1
2	Size 2

Code	Connection Styles
Blank	NPT
F	Flange

Code	Inlet/Outlet Connection Sizes
2	2"
3	3"

Code	Code Construction
Blank	Non Code Construction



2200 Northern Boulevard
East Hills, New York 11548-1289

888.873.7255 toll free
516.484.5400 phone
516.484.0364 fax
www.pall.com web

Visit us on the Web at www.pall.com

Pall Corporation has offices and plants throughout the world in locations including: Argentina, Australia, Austria, Belgium, Brazil, Canada, China, France, Germany, India, Indonesia, Ireland, Italy, Japan, Korea, Malaysia, Mexico, the Netherlands, New Zealand, Norway, Poland, Puerto Rico, Russia, Singapore, South Africa, Spain, Sweden, Switzerland, Taiwan, Thailand, United Kingdom, United States, and Venezuela. Distributors are located in all major industrial areas of the world.