

2050/2060/2070 Series High Pressure Filter Assemblies



PM&E 2050/2060/2070-A

Features

- Supralon™ or Rigimesh® stainless steel media
- Flows to 75 lpm (20 gpm)
- Pressures:
 - 2050 Series: 690 bar (10,000 psi)
 - 2060 Series: 1034 bar (15,000 psi)
 - 2070 Series: 1379 bar (20,000 psi)
- Port sizes: $\frac{3}{8}$ " to $\frac{3}{4}$ "

Notes and Specifications

Maximum Working Pressure:

2050 series:	690 bar (10,000 psi)
2060 series:	1034 bar (15,000 psi)
2070 series:	1379 bar (20,000 psi)

Proof Pressure:

2050 series:	1034 bar (15,000 psi)
2060 series:	1500 bar (21,750 psi)
2070 series:	2068 bar (30,000 psi)

Typical Burst Pressure:

2050 series:	2758 bar (40,000 psi)
2060 series:	3490 bar (50,750 psi)
2070 series:	5516 bar (80,000 psi)

Temperature Range:

Nitrile seals:	-43°C to 107°C (-45°F to 225°F)
----------------	------------------------------------

Fluorocarbon Seals:	-29°C to 120°C (-20°F to 250°F) 60°C (140°F) maximum in HWCF or water glycol fluids with Supralon media
---------------------	--

Filter Element Collapse Pressure:

9020 series:	20 bar (290 psid);
9021 series:	207 bar (3000 psid); 310 bar (4500 psid) with Rigimesh all stainless steel media (NK or NJ options)

Materials of Construction: Stainless steel; titanium bowl (2070/71)

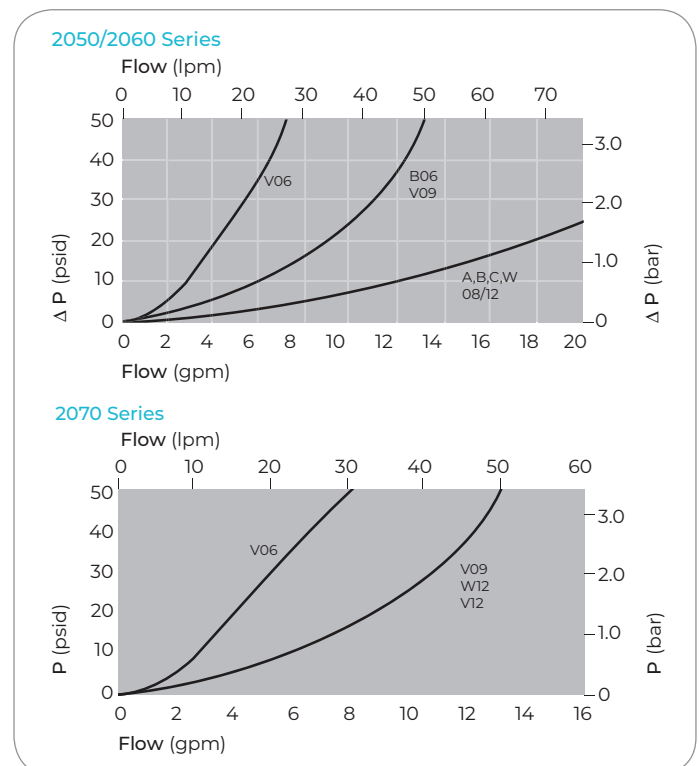
Element Construction: Supralon: Inorganic fibers impregnated and bonded with epoxy resins; stainless steel hardware.
Rigimesh: All stainless steel (no resin binders)



2050, 2060, and 2070 series filter housings

Pressure Drop Information

Figure 1. Housing pressure drop using fluid with 0.9 S.G. Housing pressure drop is directly proportional to specific gravity.



Element Pressure Drop

Multiply actual flow rate times factor to determine pressure drop with fluid at 32 cSt (150 SUS), 0.9 S.G. Correct for other fluids by multiplying new viscosity in cSt/32 (SUS/150) x new S.G./0.9.

Note: factors are per 1000 lpm and per 1 gpm.

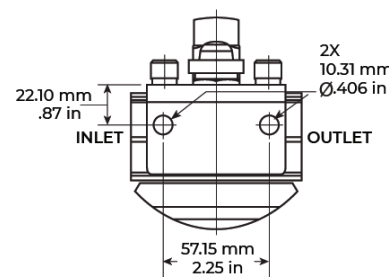
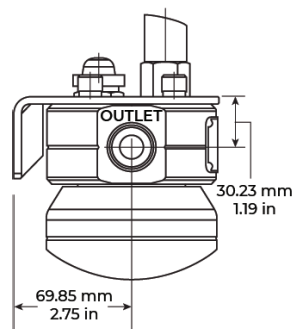
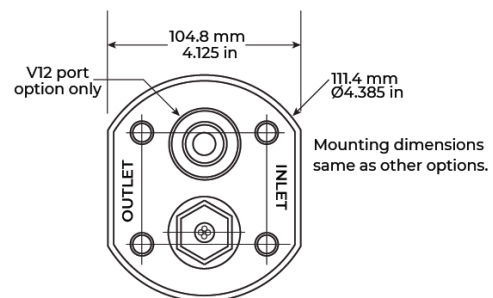
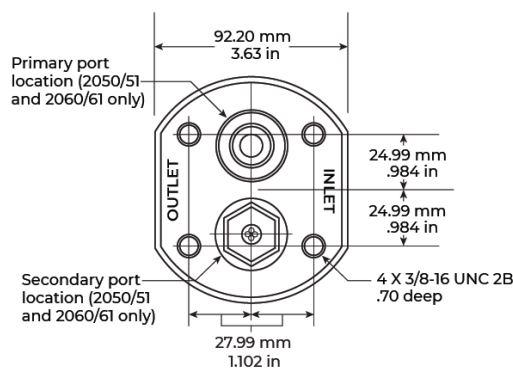
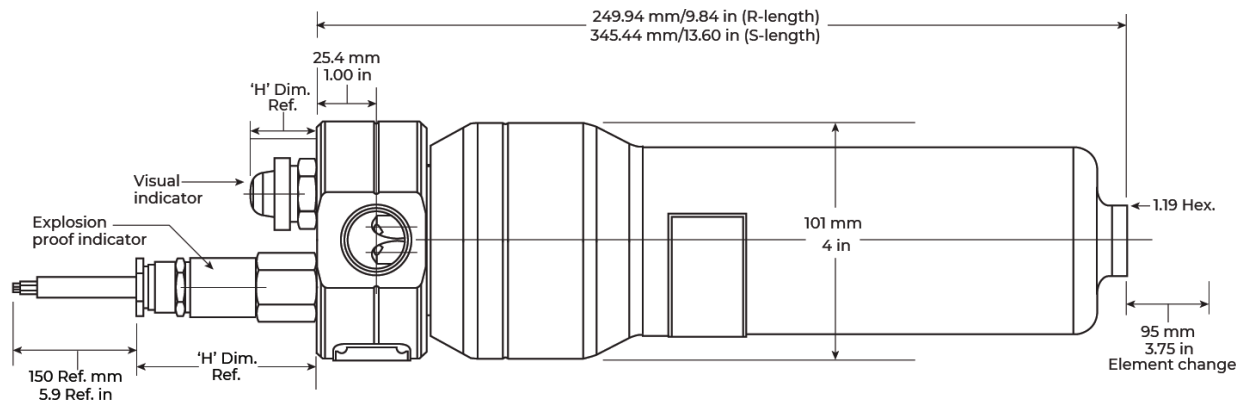
9020 Series Filter Elements — bar/1000 lpm (psid/gpm)

Length Code	RZ	RP	RN	RS	RT
4	34.61 (1.90)	14.94 (0.82)	9.84 (0.54)	6.38 (0.35)	3.83 (0.21)
8	17.49 (0.96)	7.47 (0.41)	4.92 (0.27)	3.28 (0.18)	2.00 (0.11)

9021 Series Filter Elements — bar/1000 lpm (psid/gpm)

Length Code	HP	HS/NK	HT/NJ
4	49.37 (2.71)	36.54 (0.53)	12.39 (0.68)
8	24.59 (1.35)	17.24 (0.25)	6.19 (0.34)

Dimensional Drawings



Ordering Information

Assembly P/N: H

H 1 20 2 3 4 5 6 7 T 8

Ultipor Element P/N:

HC 2 F 4 5 1 Y923

Rigimesh Element P/N:

HC 9021 E 4 5 1

Table 1: Seal Options

Code	Seals
H	Nitrile
Z	Fluorocarbon

Table 2: Series Options

Housing Code	Description	Element Code
50	690 bar (10,000 psi) housing with 50 psi bypass valve	9020
60	1000 bar (14,500 psi) housing with 50 psi bypass valve	9020
70	1379 bar (20,000 psi) housing with 50 psi bypass valve	9020
51	690 bar (10,000 psi)	9021
61	1034 bar (15,000 psi)	9021
71	1379 bar (20,000 psi)	9021

Table 3: Port Options

Code	Port	Series
A08	½" SAE J514 straight thread	2050/51, 2060/61
A12	¾" SAE J514 straight thread	2050/51
B06	¾" NPT	2050/51, 2060/61
B08	½" NPT	2050/51, 2060/61
B12	¾" NPT	2050/51
C08	½" BSP ISO 228 threads	2050/51, 2060/61
C12	¾" BSP ISO 228 threads	2050/51
V06	¾" medium pressure threaded	2050/51, 2060/61, 2070
V09	⅝" medium pressure threaded	2050/51, 2060/61, 2070
V12	¾" medium pressure threaded	2050/51, 2060/61, 2070
W12	¾" weld sockets	2050/51

Table 4: Filter Element Options

Code	B _{x(c)} ≥ 2000	Series
RZ	3	9020 (Ultipor III)
RP	5	9020 (Ultipor III)
RN	7	9020 (Ultipor III)
RS	12	9020 (Ultipor III)
RT	22	9020 (Ultipor III)
HP	5	9021 (Ultipor III)
HS	12	9021 (Ultipor III)
HT	15	9021 (Ultipor III)
NK	5 µm*	9021 (Rigimesh)
NJ	10 µm*	9021 (Rigimesh)

*98% efficiency

Table 5: Length Options

Housing Code	Element Code	Length (in)*
R	4	4
S	8	8

*Nominal length

Table 6: Bypass Valve Options

Code	Valve	Housing Series
B	3.4 bar (50 psid)	2050, 2060, 2070
J	10 bar (150 psid)	2051, 2061, 2071
S	13.8 bar (200 psid)	2051, 2061, 2071
W	Non-bypass, 100 psid indicator	2051, 2061, 2071*
N	Non-bypass, 35 psid indicator	2051, 2061, 2071*

*Note: 2071 series does not have indicator ports

Table 7: Differential Pressure Indicator Options*

Code	Indicator	'H' Dim.
W	Explosion proof	79 mm (3.1 in)
E	SST visual	28 mm (1.1 in)
O	No indicator port	N/A
B	SST port plug	3 mm (0.12 in)

*Notes:

- Select 2 indicator option codes per housing
- Enter indicator codes alphabetically; put "0" code after alpha code if applicable
- 2070/71 series does not have indicator ports; enter "00" in part number

Table 8: Mounting Bracket Options

Code	Option
0	None
1	Mounting bracket kit



PALL CORPORATION

Corporate Headquarters

Port Washington, NY, USA
+1-800-717-7255 toll free (USA)
+1-516-484-5400 phone

European Headquarters

Fribourg, Switzerland
+41 (0)26 350 53 00 phone

Asia-Pacific Headquarters

Singapore
+65 6389 6500 phone

Visit us on the Web at www.pall.com/industry
Contact us at www.pall.com/contact

Pall Corporation has offices and plants throughout the world. To locate the Pall office or distributor nearest you, visit www.pall.com/contact.

The information provided in this literature was reviewed for accuracy at the time of publication. Product data may be subject to change without notice. For current information consult your local Pall distributor or contact Pall directly.

IF APPLICABLE Please contact Pall Corporation to verify that the product conforms to your national legislation and/or regional regulatory requirements for water and food contact use.

© Copyright 2021, Pall Corporation. Pall, , Supralon and Rigimesh are trademarks of Pall Corporation.
® Indicates a trademark registered in the USA.

PM&E 2050/2060/2070-A
January 2022