

# 7500/7502 Series Spin-On Filters



M&E7500/02EN

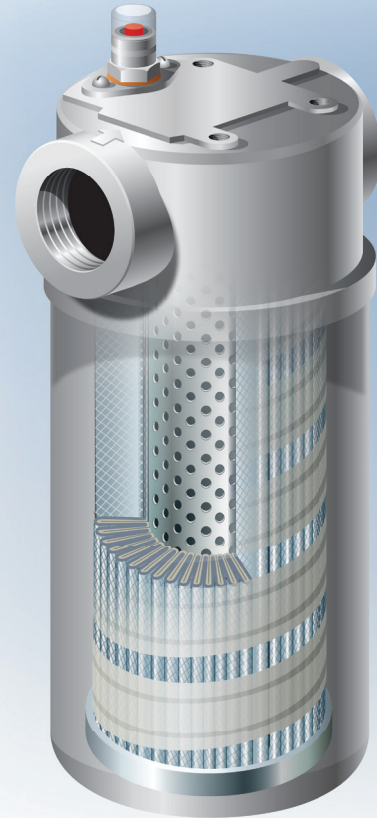
Supralon™ lube & hydraulic oil filters deliver consistent, high level fluid system protection across all applications, regardless of severity. Supralon filters feature  $\text{Beta}_{X(C)} > 2000$  filter efficiency, low pressure drop and long service life.

## Features

- Flows to 325 lpm (90 US gpm) - 7500
- Flows to 565 lpm (150 US gpm) - 7502
- Pressures to 14 bar (200 psi)
- Port size: 1½" (7500) and 2" (7502)

## Notes and Specifications Filter Housing

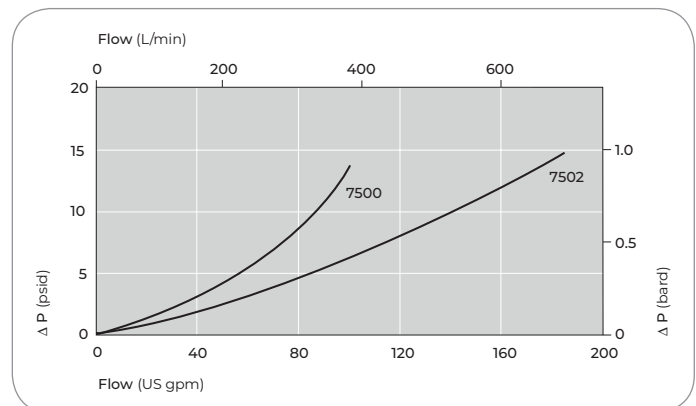
<b>Fatigue Pressure Rating:</b>	14 bar (200 psi) (100,000 cycles 0-200 psi)
<b>Typical Burst Pressure:</b>	20 bar (290 psi)
<b>Filter Element Collapse Pressure:</b>	7 bar (100 psid)
<b>Fluid Compatibility:</b>	Compatible with all petroleum oils and most water glycols, water-oil emulsions, and synthetic hydraulic and lubricating fluids
<b>Temperature Range:</b>	-29°C to 107°C (-20°F to 225°F) 60°C (140°F) maximum in HWCF or water glycol
<b>Bypass Valve Setting:</b>	1.7 bar (25 psid) 3.4 bar (50 psid) Non-bypass
<b>Indicator Pressure Setting:</b>	1.1 bar (16 psid) with 'A' valve option 2.4 bar (35 psid) with 'B' and 'W' valve option
<b>Housing Materials of Construction:</b>	Cast iron head



7500 Series Filter Housing and Spin-On Cannister

## Pressure Drop Information

**Housing pressure drop using fluid with 0.9 S.G.**  
Housing pressure drop is directly proportional to specific gravity.



## Element Pressure Drop

Multiply actual flow rate times factor in table below to determine pressure drop with fluid at 32 cSt (150 SUS), 0.9 S.G. Correct for other fluids by multiplying new viscosity in cSt/32 (SUS/150) x new S.G./0.9.

### 7500 Series Element DP Factors (psid/gpm)

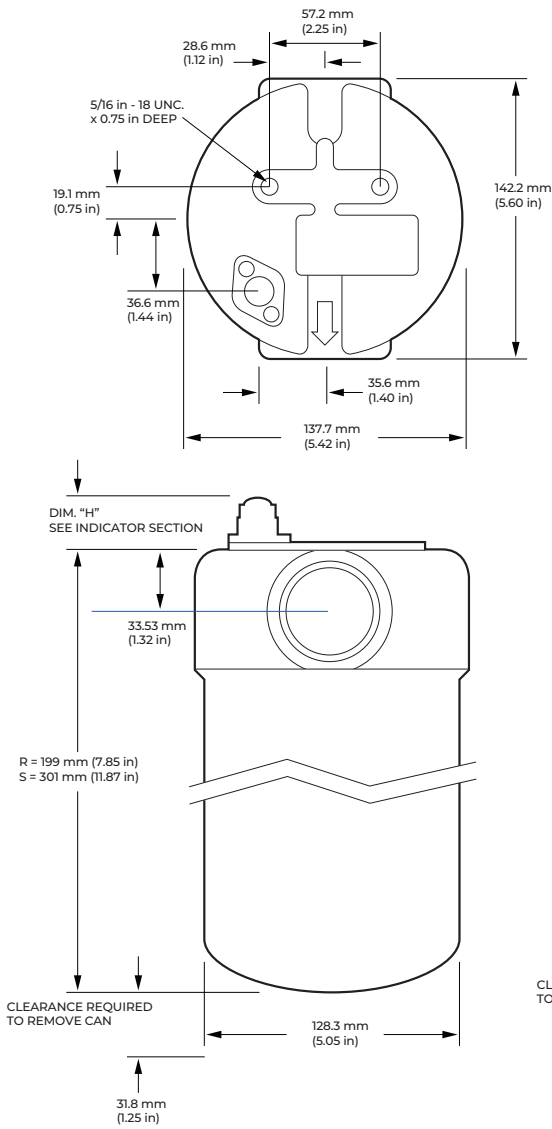
Length	RZ	RP	RN	RS	RT
4"	NA	0.21	0.18	0.14	0.10
8"	0.23	0.11	0.10	0.07	0.05

### 7502 Series Element DP Factors (psid/gpm)

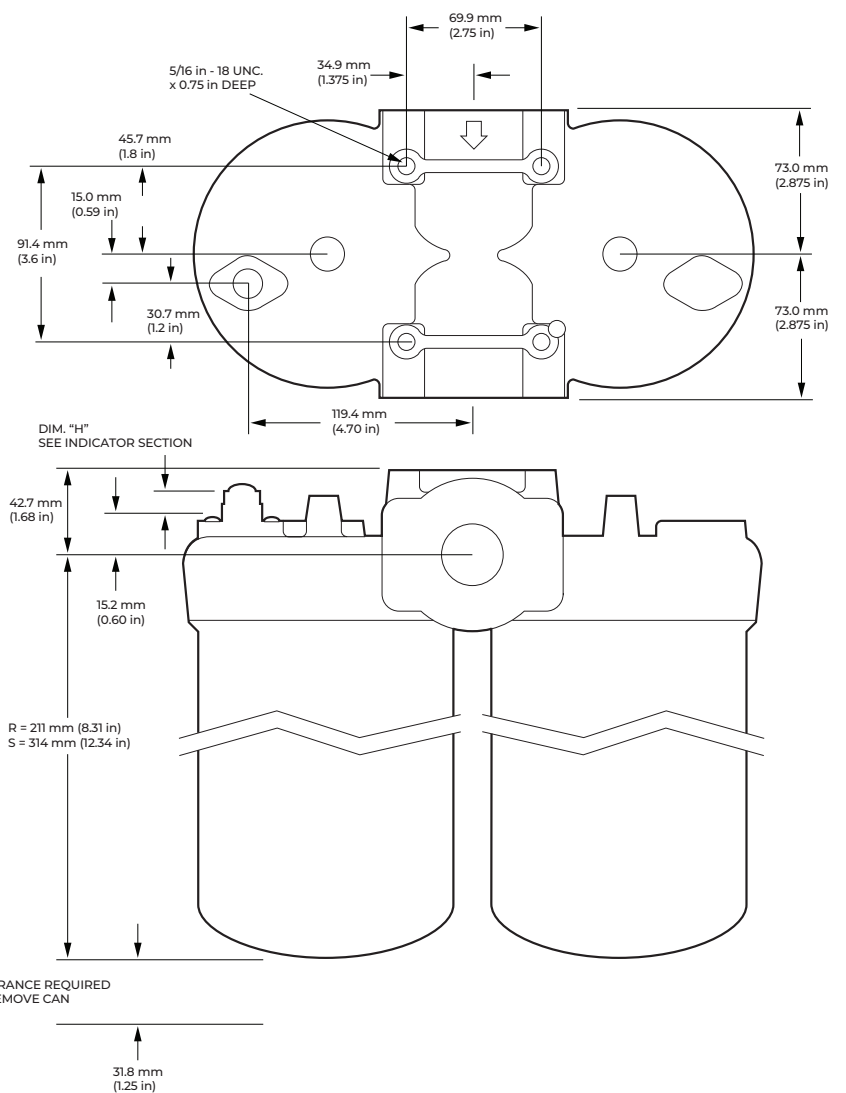
Length	RZ	RP	RN	RS	RT
4"	NA	0.10	0.09	0.07	0.05
8"	0.12	0.05	0.05	0.04	0.03

## Dimensional Drawings

### 7500



### 7502



## Ordering Information

For new installations, select one complete part number from each section below

### Section 1 Housing P/N:

Note: Pall filter housings are supplied without filter elements or filter change out warning devices. Never operate the filter housing unless a filter element is fitted and all warning device ports are sealed.

Housing part number designates indicator port is fitted with a plastic shipping plug.

Part Number	
HH7500A24A1	HH7502A32A1
HH7500A24B1	HH7502A32B1
HH7500A24W1	HH7502A32W1
HH7500C24A1	HH7502C32A1
HH7500C24B1	HH7502C32B1
HH7500C24W1	HH7502C32W1
	HH7502D24A1
	HH7502D24B1
	HH7502D24W1

#### Part Number (Description) Breakdown

HH	Housing with nitrile seals
7500	7500 series spin-on housing
7502	7502 series spin-on housing
A24	1½" SAE J514 straight thread port
A32	2" SAE J514 straight thread port
C24	1½" BSP ISO 228 threads
C32	2" BSP ISO 228 threads
D24	1½" Flange SAE J518c-code 61
A	1.7 bard (25 psid) bypass valve
B	3.4 bard (50 psid) bypass valve
W	Non-bypass
1	1 indicator warning device port

## Section 2 Element Spin-On Can

P/N: HC7500 S 1 2 H

Table 1: Filter Performance Ratings

Supralon Filter Grade	$\beta_{x(c)} \geq 2000$ based on ISO 16889	ISO Code Rating per Stress-Resistance Test (80% $\Delta p$ )*
RZ	3	06/04/00
RP	5	12/08/00
RN	7	14/09/04
RS	12	18/16/08
RT	22	19/17/12

\* based on 60 psid terminal pressure drop

Table 2: Length Options

Code	Description
4	4" nominal length
8	8" nominal length

## Section 3

### Differential Pressure Indicator P/N:

RC 3 Z 4 Z

Note: If no Differential Pressure Indicator is selected, 'B' type blanking plug (P/N HC9000A104Z) must be ordered separately and fitted to replace the shipping plug.

Note: Z indicates fluorocarbon seals are standard. Other options are available; contact Pall.

Table 3: Indicator Options

Code	Brass Option Indicator
A218M	Electrical switch (SPDT) with Hirschmann connector
A218R	Electrical switch (SPDT) with Hirschmann connector with Red and Green LED indicators
A219D	Visual indicator

Table 4: Indicator Pressure Setting Option

Code	Description
084	For A valve option housings (1.1 bard - 16 psid)
090	For B and W valve options (2.4 bard - 35 psid)

*The equipment has been assessed in accordance with the guidelines laid down in The European Pressure Directive 97/23/EC and has been classified within Sound Engineering Practice S.E.P. Suitable for use with Group 1 and 2 fluids only. Consult Sales for other fluid gas group suitability.*



**PALL CORPORATION**

**Corporate Headquarters**

Port Washington, NY, USA  
+1-800-717-7255 toll free (USA)  
+1-516-484-5400 phone

**European Headquarters**

Fribourg, Switzerland  
+41 (0)26 350 53 00 phone

**Asia-Pacific Headquarters**

Singapore  
+65 6389 6500 phone

Visit us on the Web at [www.pall.com/industry](http://www.pall.com/industry)  
Contact us at [www.pall.com/contact](http://www.pall.com/contact)

Pall Corporation has offices and plants throughout the world. To locate the Pall office or distributor nearest you, visit [www.pall.com/contact](http://www.pall.com/contact).

The information provided in this literature was reviewed for accuracy at the time of publication. Product data may be subject to change without notice. For current information consult your local Pall distributor or contact Pall directly.

*IF APPLICABLE* Please contact Pall Corporation to verify that the product conforms to your national legislation and/or regional regulatory requirements for water and food contact use.

© Copyright 2022, Pall Corporation. Pall,  and Supralon are trademarks of Pall Corporation.  
® Indicates a trademark registered in the USA.

M&E7500/02EN  
February 2022