

9681 Series High Pressure Filters



M&E9681EN

Supralon™ lube & hydraulic oil filters deliver consistent, high level fluid system protection across all applications, regardless of severity. Supralon filters feature $\text{Beta}_{X(C)} > 2000$ filter efficiency, low pressure drop and long service life.

Features

- Flows to 565 lpm (150 US gpm)
- Pressures to 420 bar (6100 psi)
- Port size: 1¼" and 1½"

Notes and Specifications Filter Housing

Fatigue Pressure Rating: 275 bar (4000 psi) per NFPA T2.6.1 R2-2001 Cat C/90

Typical Burst Pressure: 1,260 bar (18,000 psi)

Filter Element Collapse Pressure:

207 bar (3000 psid)

Fluid Compatibility:

Compatible with all petroleum oils and most water glycols, water-oil emulsions, and synthetic hydraulic and lubricating fluids

Temperature Range:

-43 °C to 107 °C (-45 °F to 225 °F) – Nitrile seals
-29 °C to 120 °C (-20 °F to 225 °F) – Fluorocarbon seals
60 °C (140 °F) maximum in HWCF or water glycols

Bypass Valve Setting:

Non-bypass

Indicator Pressure Setting: 7 bar (100 psid)

Housing Materials of Construction:

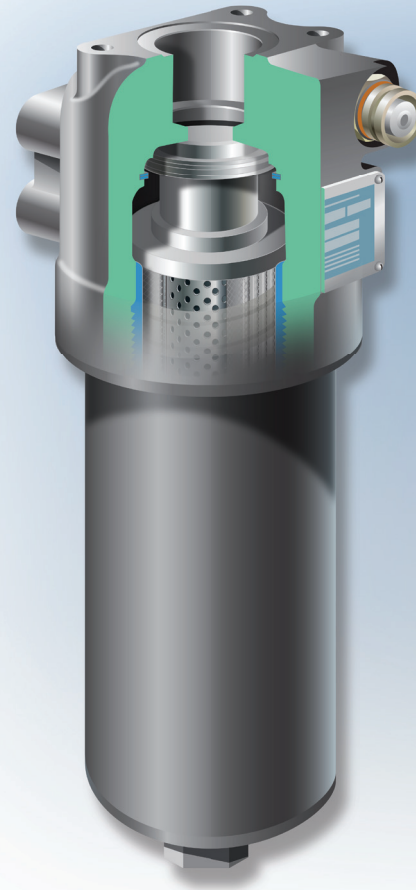
Ductile iron head; steel bowl

Element Pressure Drop

Multiply actual flow rate times factor in table below to determine pressure drop with fluid at 32 cSt (150 SUS), 0.9 S.G. Correct for other fluids by multiplying new viscosity in cSt/32 (SUS/150) x new S.G./0.9.

9601 Series Element DP Factors (psid/gpm)

Length	HP	HT
8"	0.52	0.12
13"	0.32	0.08
16"	0.25	0.07

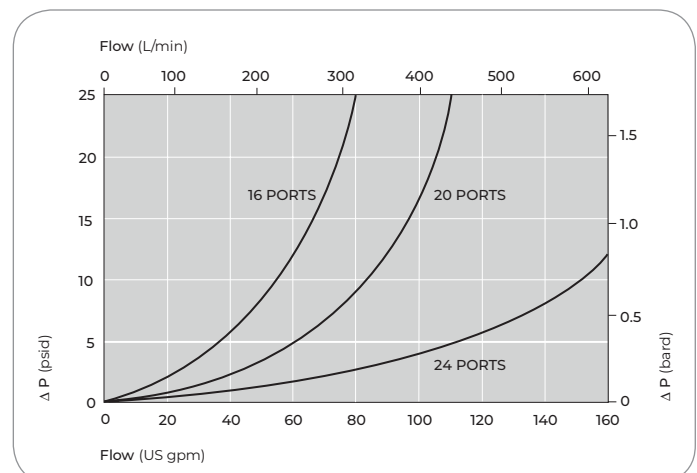


9681 Series Filter Housing

Pressure Drop Information

Housing pressure drop using fluid with 0.9 S.G.

Housing pressure drop is directly proportional to specific gravity.



Ordering Information

For new installations, select one complete part number from each section below

Section 1 Housing P/N:

Note: Pall filter housings are supplied without filter elements or filter change out warning devices. Never operate the filter housing unless a filter element is fitted and all warning device ports are sealed.

Housing part number designates indicator port is fitted with a plastic shipping plug.

Part Number	
HH9681C20SW1	HZ9681C20UW1
HH9681C20TW1	HZ9681C24TW1
HH9681C24SW1	HZ9681G20UW1
HH9681C24UW1	HZ9681K20SW1
HH9681G20SW1	HZ9681K20TW1
HH9681K20TW1	HZ9681S20SW1
HH9681K20UW1	HZ9681S20TW1
HH9681S20SW1	
HH9681S20TW1	
HH9681S20UW1	

Part Number (Description) Breakdown

HH	Housing with nitrile seals
HZ	Housing with fluorocarbon seals
9681	9681 Series housing
C20	1¼" BSP ISO 228 threads
C24	1½" BSP ISO 228 threads
G20	1¼" ISO 6162 split flange ports (400 bar/5800 psi max pressure)
K20	1¼" Top Manifold Mount
S20	1½" Side Manifold Mount
S	8" nominal length
T	13" nominal length
U	16" nominal length
W	Non-bypass
1	1 indicator warning device port

Section 2 Element P/N:

HC9601 F 1 2 Z

Table 1: Filter Performance Ratings

Code	$\beta_{x(c)} \geq 2000$ based on ISO 16889
HP	5
HT	15

Table 2: Length Options

Code	Description
8	8" nominal length
13	13" nominal length
16	16" nominal length

Section 3

Differential Pressure Indicator P/N:

RC 3 Z 097 Z 4

Note: If no Differential Pressure Indicator is selected, 'B' type blanking plug (P/N HC9000A104Z) must be ordered separately and fitted to replace the shipping plug.

Note: Z indicates fluorocarbon seals are standard. Other options are available; contact Pall.

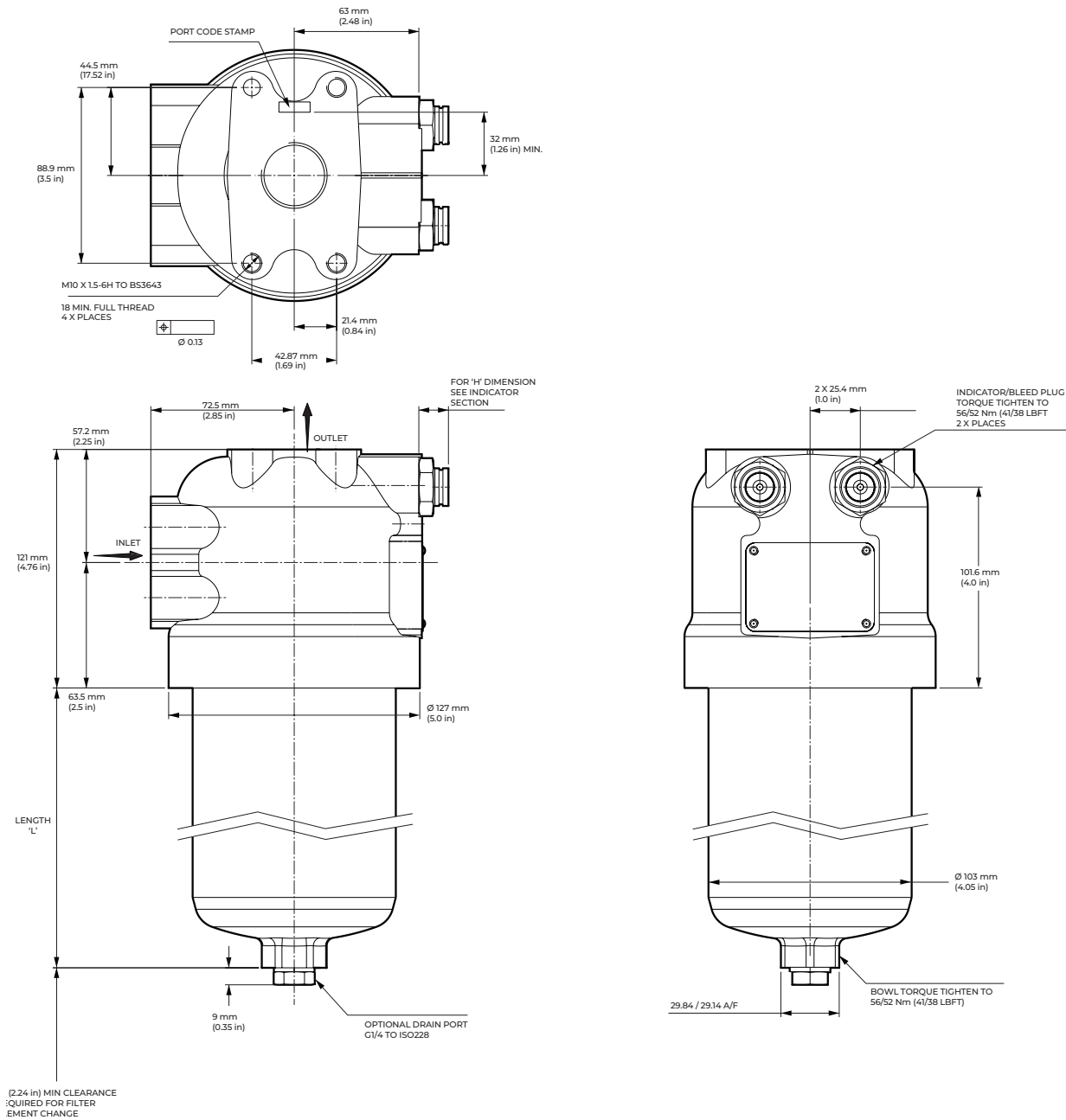
Table 3: Indicator Options

Code	Brass Option Indicator
A218M	Electrical switch (SPDT) with Hirschmann connector
A218R	Electrical switch (SPDT) with Hirschmann connector with Red and Green LED indicators
A219D	Visual indicator
Code	Stainless Steel Option Indicator
778N	Visual filter with thermal lockout
861C	Electrical switch (SPDT) with Hirschmann connector
771B	Electrical switch (SPDT) with 3-pin

Table 4: Differential Pressure Indicator Material

Code	Description
Omit	If Brass Indicator is selected in Table 3
SS	If Stainless Steel Indicator is selected in Table 3 (recommended for high pressure applications with pressure > 200 bar (3000 psi))

Dimensional Drawings



The equipment has been assessed in accordance with the guidelines laid down in The European Pressure Directive 97/23/EC and has been classified within Sound Engineering Practice S.E.P. Suitable for use with Group 1 and 2 fluids only. Consult Sales for other fluid gas group suitability.



Corporate Headquarters
Port Washington, NY, USA
+1-800-717-7255 toll free (USA)
+1-516-484-5400 phone

European Headquarters
Fribourg, Switzerland
+41 (0)26 350 53 00 phone

Asia-Pacific Headquarters
Singapore
+65 6389 6500 phone

Visit us on the Web at www.pall.com/industry
Contact us at www.pall.com/contact

Pall Corporation has offices and plants throughout the world. To locate the Pall office or distributor nearest you, visit www.pall.com/contact.

The information provided in this literature was reviewed for accuracy at the time of publication. Product data may be subject to change without notice. For current information consult your local Pall distributor or contact Pall directly.

IF APPLICABLE Please contact Pall Corporation to verify that the product conforms to your national legislation and/or regional regulatory requirements for water and food contact use.

© Copyright 2022, Pall Corporation. Pall, and Supralon are trademarks of Pall Corporation. ® Indicates a trademark registered in the USA.