

## JD Series Filter Housings

### Polypropylene Single Cartridge Housing

- Constructed from polypropylene with no fillers, colorants or lubricants
- Economical alternative to fluoropolymer, stainless steel or other high purity vessels
- Housing designed to accept SOE filter cartridges with 222 O-ring sealing
- Excellent chemical compatibility for use with semiconductor grade chemicals, CMP slurry, magnetic coatings, electronic etching solutions, DI and reagent grade water
- Accommodates standard 50.8 cm (20 in) Pall M3 (Code 3) style filter cartridges

### Housing Specifications

#### Maximum operating pressure<sup>1</sup>

6.9 bar @ 38°C (100 psig @ 100°F)

#### Material of construction

Polypropylene – no fillers, colorants or lubricants

#### Connections

Inlet/outlet: 3/4" FNPT

Vent/gauge: 1/4" FNPT

Drain: 1/4" FNPT

#### Shell O-rings

Fluoroelastomer (standard), nitrile, silicone elastomer

#### Replacement cap plug kit

For vents/drains – includes one plug and one O-ring  
(Part # T11039030)



This housing is not recommended for compressed air or gas service. It is suitable for use with fully compatible\* liquids only. This housing is not recommended for acid service at the pressure shown. Please contact Pall for detailed compatibility information.

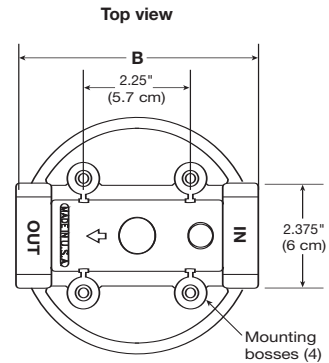
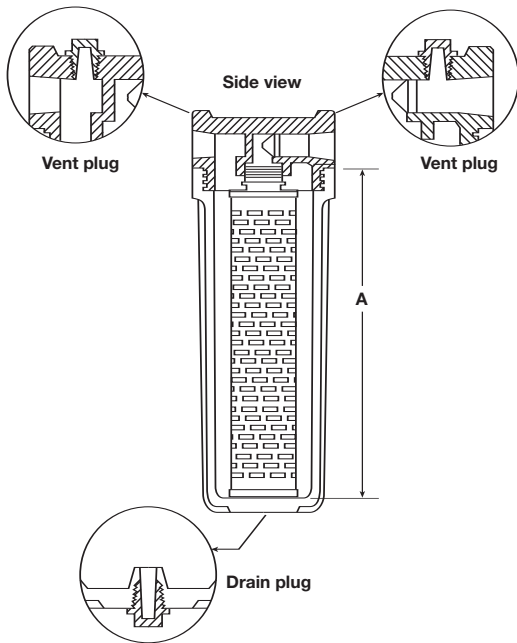
\* which do not soften, swell or adversely affect the product or its materials of construction

<sup>1</sup> Maximum operating pressure ratings are vessel ratings only. Safe operating temperature and pressure will depend on filter cartridge and gasket/O-ring used. For inquiries on compatibility, contact the factory or your Pall distributor.

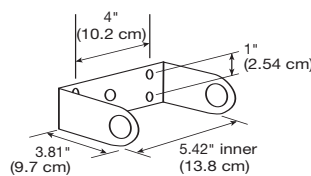
NOTE: Use of this product in a manner other than in accordance with Pall's current recommendations may lead to injury or loss. Pall cannot accept liability for such injury or loss.

## Dimensional Data (nominal)

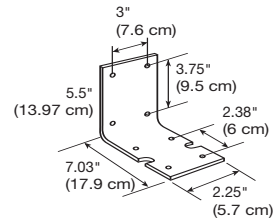
Model	Dimensions		Weight
	A	B	
JD20	50.65 cm (19.94 in)	13.03 cm (5.13 in)	1.93 kg (4.25 lb)



### Optional mounting brackets



Part #11018031



Part #11018030

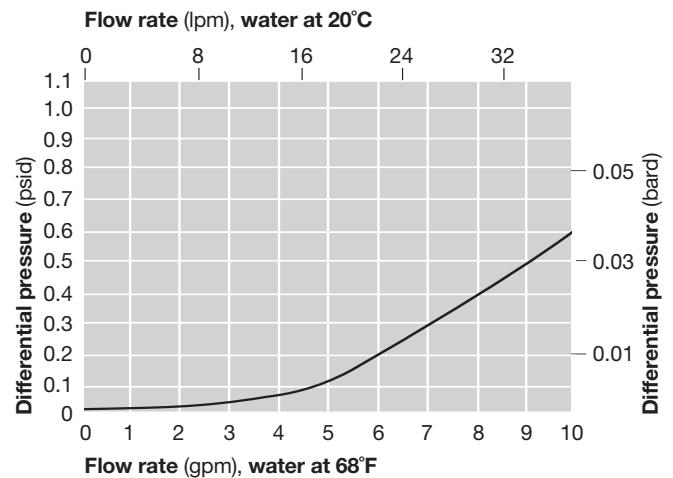
## Ordering Information

Pall Part Number = JD20 - 3/4 1

Table 1

Code	O-ring Materials
Blank	Fluoroelastomer
N	Nitrile
S	Silicone

## Typical Flow vs. Differential Pressure<sup>2</sup>



Unit conversion: 1 bar = 100 kPa

<sup>2</sup> Flow/pressure drop characteristics refer to the empty housing only. For liquids other than water, multiply differential pressure by the specific gravity of the fluid.



Pall Corporation

25 Harbor Park Drive  
Port Washington, NY 11050  
+1 516 484 3600 telephone  
+1 800 289 7255 toll free US

Portsmouth - UK  
+44 (0)23 9230 3303 telephone  
+44 (0)23 9230 2507 fax  
processuk@pall.com

Filtration. Separation. Solution.<sup>SM</sup>

### Visit us on the Web at [www.pall.com](http://www.pall.com)

Pall Corporation has offices and plants throughout the world. For Pall representatives in your area, please go to [www.pall.com/contact](http://www.pall.com/contact)

Because of technological developments related to the products, systems, and/or services described herein, the data and procedures are subject to change without notice. Please consult your Pall representative or visit [www.pall.com](http://www.pall.com) to verify that this information remains valid.

© Copyright 2004, 2010, Pall Corporation. Pall and PALL are trademarks of Pall Corporation. ® indicates a trademark registered in the USA. Filtration. Separation. Solution.<sup>SM</sup> is a service mark of Pall Corporation.