

NEW: HNP076 Series Oil Purifier

For fluid viscosities up to 700 cSt

Water in hydraulic, lubrication, power transmission and insulating fluids adversely affects fluid performance and is a threat to system reliability.

Water contamination promotes corrosion and fluid system component wear, resulting in reduced component life and increased maintenance costs. It also degrades fluid properties, leading to reduced lubricity and load carrying ability, oil oxidation and the resultant formation of acids, and additive precipitation. The consequences are reduced fluid service life, increased fluid procurement and disposal costs.

Description

The Pall HNP076 Series Oil purifier is designed for use with medium to large oil systems, particularly where high viscosity fluids are employed, and can effectively remove up to 40 liters of water per day from oil*.

The Pall HNP fluid conditioning purifier uses vacuum dehydration to remove 100 % free water and as much as 90 % of dissolved water. It will also remove 100 % of free and entrained gases and up to 80 % dissolved gases.

Vacuum dehydration is the most effective method of water removal at minimum cost and ease of use. Unlike other methods it removes both free and dissolved water and cannot burn or otherwise significantly alter the properties of the oil.

Particulate contaminant removal is achieved using high performance rated ($\beta_{x(c)} > 2000$) Athalon® filter elements. In addition, a WS12 Series water sensor measures water content and temperature at the purifier inlet, allowing the purifier to operate only when the water content rises above a pre-determined level.

* Water removal rates are affected by the fluid viscosity, temperature, form of water (free or dissolved) and the amount of water present. Pall utilizes a well defined and repeatable test procedure that ensures thorough dispersion of the water in the test fluid initially and throughout the test. The water removal rate shown is for tests with ISO VG 32 mineral based turbine lube oil at 60 °C in the range of 2.6 % to 1.4 % water. The removal rates at higher water concentrations will be significantly higher.

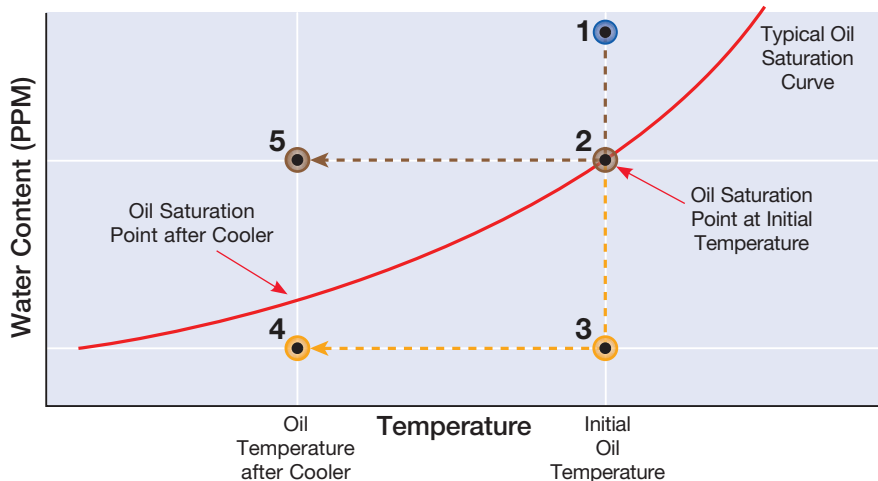


HNP076 Series Oil Purifier

Select the HNP076 oil purifier for:

- High performance water, gas and particulate removal
- Extension of fluid service life
- Minimized corrosion within systems
- Reduced fluid disposal
- Reduced operating costs
- Increased equipment reliability
- Simple automated operation
- Remote monitoring option

Removing free water is never enough!



- 1 Initial water content is above saturation (free water).
- 2 Maximum water removal capability of 'free water removal' devices (coalescers, centrifuges, etc.) is to the oil's saturation point.
- 3 Water content achieved with vacuum dehydration is significantly below the oil's saturation point.
- 4 Water content achieved with vacuum dehydration remains below the oil's saturation point even after oil is cooled by the system heat exchanger. This prevents the formation of free water which is detrimental to fluid system components and the fluid.
- 5 If only free water is removed at initial temperature, when oil is cooled the amount of free water in the oil can increase significantly.

Specifications

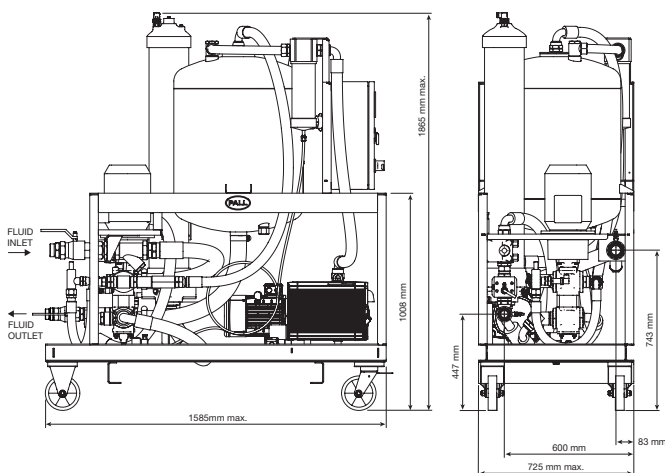
Flow Rate:	70 LPM @50Hz (84 LPM @60Hz)
Dimensions (max):	725 mm x 1585 mm x 1865 mm (28.5" x 62.4" x 73.5")
Dry mass:	385 kg (849 lb) approx
Inlet connections:	2" BSPP or 2" NPT
Outlet connections:	1½" BSPP or 1½" NPT
Inlet pressure:	-0.4 bar g (-40kPag / -5.8 psi g) minimum 1.5 bar g (150kPag / 44 psi g) maximum
System back pressure:	3.5 bar g (350 kPag / 50.8 psi g) maximum
Fluid operating temperature:	+10 °C (50 °F) to +70 °C (158 °F)
Fluid viscosity:	700 cSt (3300 SUS) maximum
Operating vacuum:	-0.6 barg to -0.9 bar g (adjustable) (-60 kPag / -8.7 psi g to -90 kPag / -13.1 psi g)
Power supply:	See Table 1
Total Motor power:	5.5 kW @ 50 Hz, 3Ø 7.3 kW @ 60 Hz, 3Ø

Materials of Construction

Base frame:	Epoxy painted carbon steel
Vacuum vessel:	304 Stainless steel
Fittings and fasteners:	Corrosion plated carbon steel
Control box:	Epoxy painted carbon steel
Hydraulic hoses and seals:	Fluorocarbon

Note: Pall HNP076 series fluid conditioning purifiers comply with all applicable EC directives and bear the CE mark.

Fig. 1 Typical mobile option



Ordering Information

Purifier

P/N: HNP076



Note: Z indicates fluorocarbon seals and AQP Elastomer Tube* hoses are standard. Other options are available; contact Pall.

Please select only from the following list of standard purifier options:

HNP076S3ZCPENA	HNP076S3ZCPDEB	HNP076S3ZCPITC
HNP076S3ZCPENB	HNP076S3ZCPDEC	HNP076R3ZCTENA
HNP076S3ZCPENC	HNP076S3ZCPDED	HNP076R3ZCPENB
HNP076S3ZCPEND	HNP076S3ZCPFRA	HNP076R3ZCPRUB
HNP076S3ZCPDEA	HNP076S3ZCPITA	HNP076S3ZCPPLB

Table 1 - Standard Voltage

Code	Voltage
R	380 VAC
S	400 VAC

Standard voltages only listed. Other voltages will be available on request - price and lead time will be provided on application.

Table 2 - Frequency Options

Code	Frequency
3	50 Hz, 3 phase

Table 3 - Seal Type

Code	Material
Z	Fluorocarbon

Table 4 - Mounting Options

Code	Mounting Type
C	Mobile (2 fixed and 2 swivel castors)

Table 5 - Process Port Connection Options

Code	2" inlet / 1½" Outlet Connections
P	BSP ISO 228 threads

Table 6 - Language Options

Code	Language
DE	German
EN	English
RU	Russian
PL	Polish
FR	French
IT	Italian

Table 7 - Optional Factory Fitted Kits

Code	Kit
A	No optional kit(s) fitted
B	5m electrical cable, socket and plug, in accordance with IEC 60309 to electrically connect the purifier
C	Gauge points, inlet and outlet pressure gauges and an inlet sight flow indicator to allow fluid condition and pressures to be monitored
D	Both kits B and C

Optional inlet and outlet hose 5m P/N: HNP076HZ

Replacement Filter Element P/N: UE610  40Z

Table 1

Note: Z indicates fluorocarbon seals are standard. Other options are available; contact Pall.

Table 1 - Element Rating

Code	Bx(c) >2000 based on ISO16889
AZ	3
AP	5
AN	7
AS	12
AT	22

Replacement Air Breather


P/N: HC0293SEE5



Visit us on the Web at www.pall.com

Pall Corporation has offices and plants throughout the world. For Pall representatives in your area, please go to www.pall.com/contact

Because of technological developments related to the products, systems, and/or services described herein, the data and procedures are subject to change without notice. Please consult your Pall representative or visit www.pall.com to verify that this information remains valid.

© Copyright 2017, Pall Corporation. Pall, , and Athalon are trademarks of Pall Corporation. ® Indicates a trademark registered in the USA. Filtration. Separation. Solution.SM is a service mark of Pall Corporation.



Pall Industrial Manufacturing

25 Harbor Park Drive
Port Washington, NY 11050
+1 516 484 3600 telephone
+1 888 333 7255 toll free US

Portsmouth - UK
+44 (0)23 9233 8000 telephone
+44 (0)23 9233 8811 fax

Filtration. Separation. Solution.SM