

NEW: 2022 Series Filter Assembly

Features

- 316 Stainless Steel construction
- Accepts Pall 2½" diameter elements with M3 seals
- Optional bypass valve
- Flows to 110 Lpm (30 gpm)
- Pressures to: 17.9 bar (260 psi)
- Port size: ¾" and 1"

Notes and Specifications

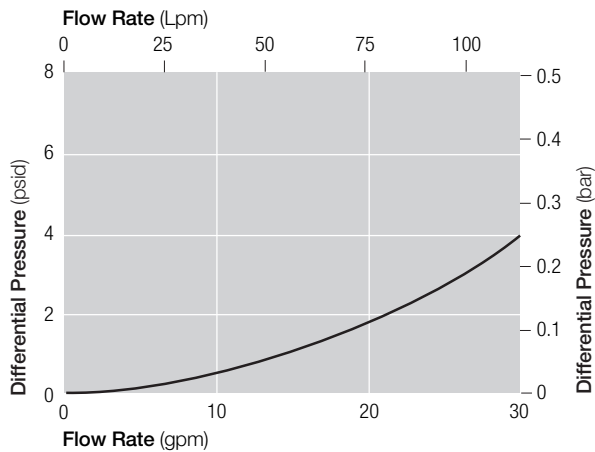
Maximum Working Pressure:	17.9 bar (260 psi)
	40° C (104° F)
Design Pressure:	13.8 bar (200 psi)
	150° C (302° F)
Materials of Construction:	316 stainless steel
Element Construction:	
Poly-Fine® XLD cartridges	All polypropylene construction
Dynalloy® cartridges	Sintered 316 stainless steel fibers
	Woven 316 stainless steel wire cloth
Dynamesh™ cartridges	

Pressure Drop Information

Figure 1.

Housing pressure drop.

Housing pressure drop is directly proportional to specific gravity.



Note: For liquid other than water, multiply the pressure drop by the specific gravity of the fluid.

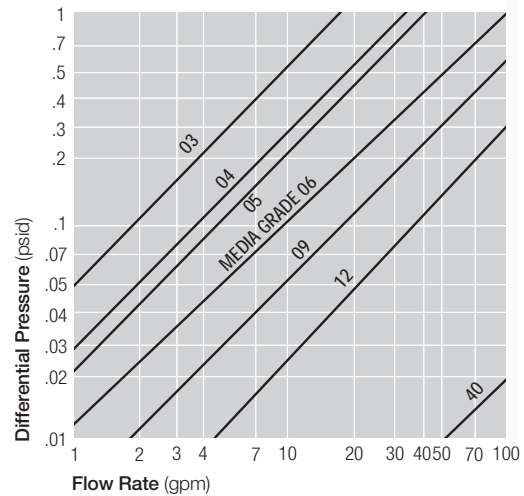


2022 series filter housing

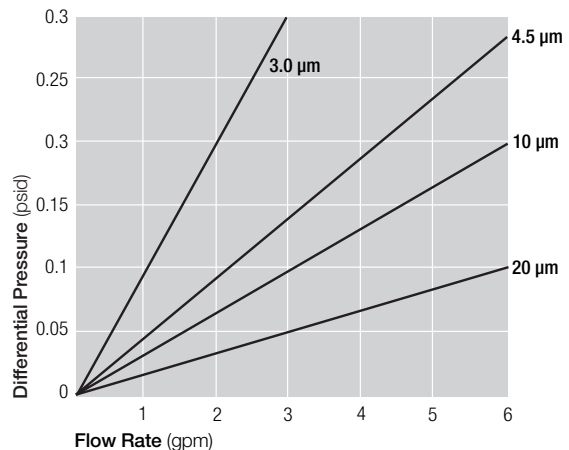
Element Pressure Drop.

For liquids other than water, multiply pressure drop x new viscosity in cSt x new S.G.

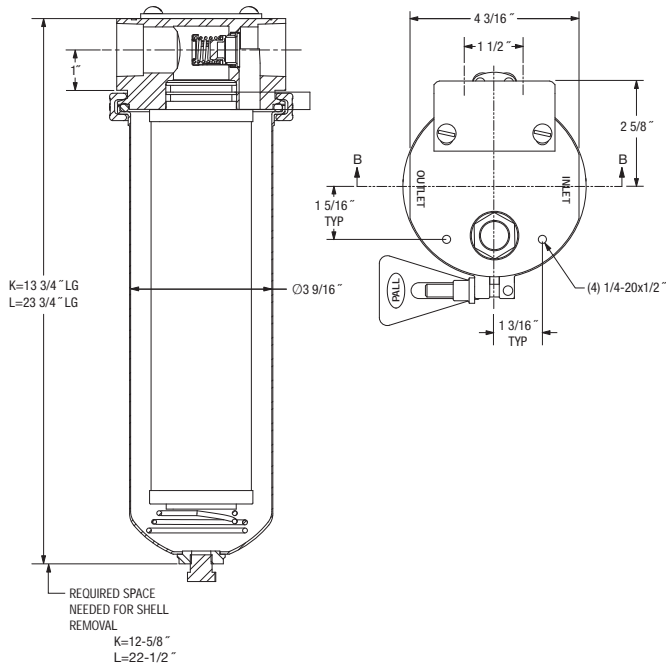
Dynalloy/Dynamesh Series Filter Cartridges



Poly-Fine® XLD Series Filter Cartridges



Dimensional Drawings



Ordering Information

Assembly P/N:

H 2022 ++ T

Table 1 Table 2 Table 4 Table 5 Table 6 Table 7

Poly-Fine XLD Cartridge P/N:

XLD - U M3

Table 3 Table 4 Table 1

Dynalloy Cartridge P/N:

PSP - S M3*

Table 3 Table 4

*Note: O-ring seals must be ordered separately. Order 2 pieces p/n D10540-456 for nitrile, 2 pieces p/n D10540-457 for fluorocarbon

Dynamesh Cartridge P/N:

PWC - S M3*

Table 3 Table 4

*Note: O-ring seals must be ordered separately. Order 2 pieces p/n D10540-456 for nitrile, 2 pieces p/n D10540-457 for fluorocarbon

Table 1: Seal Options

Housing Code	Cartridge Code*	Seals
H	N	Nitrile
Z	V	Fluoro-carbon

* Poly-Fine XLD cartridges only

Table 2: Port Options

Code	Port
A12	3/4" SAE J514 straight thread
B12	3/4" NPT
A16	1" SAE J514 straight thread
B16	NPT

Table 3: Filter Cartridge Options

Cartridge Series	Code	Rating	Rating Method
Poly-Fine XLD	3	3 µm	99.9% efficiency
	4.5	4.5 µm	
	10	10 µm	
	20	20 µm	
Dynalloy	03	3 µm	Absolute
	04	4 µm	
	05	5 µm	
	06	6 µm	
	09	9 µm	
Dynamesh	10	12 µm	Nominal
	40	40 µm	
	70	70 µm	
	100	100 µm	

Table 4: Length Options

Housing Code	Element Code	Length (in)*
K	10	10
L	20	20

* Nominal length in inches

Table 5: Bypass Valve Options

Code	Valve
A	1.7 bar (25 psid)
B	3.4 bar (50 psid)
N	Non-bypass

Table 6: Differential Pressure Indicator Options*

Code	Indicator
E	SST visual with glass cover
B	SST port plug

* Note: Other indicator options available — contact factory

Table 7: Mounting Bracket Options

Code	Option
0	none
1	Mounting bracket kit



Industrial Manufacturing
25 Harbor Park Drive
Port Washington, NY 11050

888.333.7255 toll free
516.484.3600 phone
516.484.6247 fax

Visit us on the Web at www.pall.com/m&e

Pall Corporation has offices and plants throughout the world in locations including: Argentina, Australia, Austria, Belgium, Brazil, Canada, China, France, Germany, India, Indonesia, Ireland, Italy, Japan, Korea, Malaysia, Mexico, the Netherlands, New Zealand, Norway, Poland, Puerto Rico, Russia, Singapore, South Africa, Spain, Sweden, Switzerland, Taiwan, Thailand, United Kingdom, United States, and Venezuela. Distributors are located in all major industrial areas of the world.

© Copyright 2006, Pall Corporation. Pall, are trademarks of Pall Corporation. ® Indicates a Pall trademark registered in the USA. Filtration. Separation. Solution.sm is a service mark of Pall Corporation.

Filtration. Separation. Solution.sm