



Pall Corporation

UR210

UR210 Series

service instructions



EN UR210 Service Instructions



CN (Simplified) UR210 使用说明书



CN (Traditional) 中文UR210使用說明書



DE UR210 Wartungsanleitung



ES Instrucciones de mantenimiento de UR210



FR Instructions de service UR210



IT Istruzioni d'uso e manutenzione per UR210



JN UR210アフターサービス説明書



KR UR210 서비스 지침 지침

ENGLISH

中文
(SIMPLIFIED)

中文
(TRADITIONAL)

DEUTSCH

ESPAÑOL

FRANÇAIS

ITALIANO

日本語

한국어

M&ESIUR210c

Filtration. Separation. Solution.SM

1 Specifications

Housing materials:

Head and Bowl: Aluminium alloy, painted external finish

Maximum operating pressure:

41 bar (600 psi)

Proof pressure:

62 bar (900 psi)

Minimum burst pressure:

165 bar (2400 psi)

Element collapse:

UE210 element 10 bard (150 psid) differential minimum

Operating temperature range:

-29° C to 120° C (-20° F to 250° F) with fluorocarbon seals for petroleum based and specified synthetic fluids
60° C (140° F) maximum in HWCF, water-oil emulsion or water glycol

Bypass valve setting options:

1.7 ± 0.2 bard (25 ± 3 psid) cracking pressure

4.5 ± 0.5 bard (65 ± 7 psid) cracking pressure

CAUTION:

Maximum surge flow should not exceed 1.3 times normal flow.

Seals:

Fluorocarbon

The actual operating conditions should be checked by the user to ensure that the element, housing and all seals are compatible with the fluid and application, and are within local safety codes. Please contact Pall or an approved distributor if further information is required.

2 Receipt of equipment

The filter housing, and any optional equipment, are packed individually for assembly by the customer. Unpack carefully and ensure optional items are not mislaid in packaging to be discarded.

3 General sources of information

- For dimensions, operating parameters, assembly/element part number, ordering information, notes, performance data and specifications refer to datasheet.
- This equipment has been assessed in accordance with the guidelines laid down in the European Pressure Directive 97/23/EC and has been classified within sound engineering practice S.E.P. We hereby declare the equipment meets the requirements of article 3, section 3, thus meeting the directive requirements. Under the provisions of this directive the filter assembly is suitable for use with group 2 fluids only.
- Where under reasonably foreseeable conditions, including external fires, the allowable limits could be exceeded, suitable protective devices must be installed by the customer within the connecting fluid system.

4 Installation of housing

- The filter can be installed in any attitude, but for ease of servicing, it is recommended that it be installed vertically with the bowl pointing downwards.
- The minimum clearance required for element removal is: 76.2mm or 3" for all lengths. The UR210 Housing is supplied without a filter element. For element installation and servicing procedures, refer to Section 7.
- Threaded differential pressure devices, when fitted, must be torque tightened to 40 lbf or 54Nm. All visual indicators must be clearly visible.

NOTE: The UR210 head is supplied with a machined differential pressure warning device port, fitted with a plastic shipping plug. If no differential pressure warning device is ordered, the shipping plug must be removed and replaced with a "B" type blanking plug (HA9000-A104Z) and torque tightened to 40lb/ft or 54Nm.

NOTE: Never place the port plug in this port without first installing uniform size -014 O-ring in lower O-ring groove, otherwise a small bypass flow will result, allowing contaminant downstream of the filter element.

CAUTION:

Never operate the filter unless warning device port is sealed.

- Mount the filter assembly in position using four 5/16-18 (A' ports) or M8 x 1.25 (C' ports) bolts in the holes on the head mounting pads. Torque bolts to 10-14 ft/lb or 14-19 Nm.
- Use a check valve downstream of the filter if there is a possibility of reverse flow.
- Install the filter housing using additional piping/valving to allow complete filter assembly bypass if filter maintenance is required without system shutdown. This series is not available in a duplex or service bypass configuration.

CAUTION:

Reverse flow through filter element will cause damage.

NOTE: Piping supports should be provided as close as is practicable to the port connections in order to minimize external loads. This filter assembly must not be electronically isolated from the users earthing system. This filter assembly must be earthed by connecting the users earthing system to one of the inlet/outlet connections.

- Connect lines or hoses to housing inlet and outlet ports.

WARNING:

USE FITTINGS OR ADAPTORS COMPATIBLE WITH PORTS SUPPLIED AS SHOWN BY PART NUMBER ON NAMEPLATE AND NOTED IN DATA SHEETS: USE OF INCORRECT FITTINGS OR ADAPTORS CAN CAUSE FILTER HOUSING OR MANIFOLD FAILURE RESULTING IN LOSS OF PRESSURE AND POSSIBLE SYSTEM FAILURE OR PERSONAL INJURY.

Note: Painting of the filter housing is optional. The coating on the filter housing is a suitable painting base. Cover the differential pressure warning device and nameplate if painting of the housing takes place.

- 4.8 Bleed filter by opening the vent plug (5) at the top of filter one and one half turns. Jog system and fill filter until all air bleeds through the plug, then torque tighten plug to 12ftlb or 16Nm. Pressurize system fully and check for leaks; if leaks occur refer to section 5.

CAUTION:

Failure to bleed the filter housing adequately will increase the dissolved air content of the system fluid which will shorten fluid life and may cause other problems in the system.

5 Routine maintenance

- 5.1 **Pall** filters do not normally require special attention except for periodic monitoring of the differential pressure warning device. Schedule replacement of filter element every six months or sooner, and have ample supply of spare elements available.
- 5.2 If external leakage is noted, replace O-ring at leak. If leakage persists, check sealing surfaces for scratches or cracks; replace any defective parts.
- 5.3 Differential pressure devices actuate when the element needs changing or because of high fluid viscosity in 'cold start' conditions. If 'cold start' conditions exist, see Section 6.2 and 6.3.
- 5.4 A dirty system can quickly plug a new filter element, especially with **Pall** high efficiency filter media. It may require one or two initial element changes to stabilize element life. If element life is short or differential pressure is excessive, filter may be undersized; refer to the sizing and selection section of the product literature or contact your local Pall representative.
- 5.5 Make sure element change labels are clean and undamaged. Replace illegible labels with the appropriate new labels.

6 Differential pressure devices

Reference should be made to product literature for dimensions, operating parameters, part numbering, ordering information and specifications.

- 6.1 Differential pressure devices actuate when the element needs changing or because of high fluid viscosity in 'cold start' conditions.
- 6.2 If stainless steel visual indicator is fitted and actuates during 'cold start' (red button extends 5mm, 3/16"), reset by depressing the button when the normal operating temperature is reached. If indicator actuates after resetting, replace element. If brass visual indicator is fitted and actuates during 'cold start' (flag inside indicator changes to red), it will automatically reset when the normal operating temperature is reached. If indicator is still actuated after normal operating temperature is reached, replace element.

NOTE: Option 'P' visual indicator has thermal lockout and manual reset. No signal below 0° C (32° F), signal above 29° C (80° F).

- 6.3 If the electrical switch actuates (e.g. red light comes on) during cold start, continue operating until the signal (red light) goes out as system warms to normal operating temperature. This feature can be used as 'warm up' indication in operating procedures. If the warning signal (red light) remains or appears when system is warm, replace the filter element.
- 6.4 Use of both positive indication (green light) and negative indication (red light for dirty element) is recommended to effectively monitor filter element life.

Electrical connections and ratings are dependent on indicator chosen. Typical values only are shown below:

110 VAC	=	4A (inductive), 4A (resistive)
220 VAC	=	4A (inductive), 4A (resistive)
28 VDC	=	3A (inductive), 5A (resistive)
48 VDC	=	1A (inductive), 1.5A (resistive)
125 VDC	=	0.25A (inductive), 0.5A (resistive)

Maximum inrush - 24 amps.

Underwriter's lab. Inc. listed ratings of pressure switch (Microswitch) options are:

4 amps at 250 VAC

0.25 amp resistive at 220 VDC

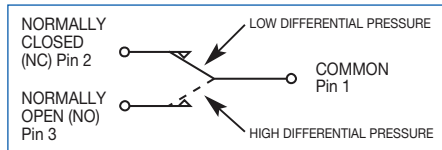
0.50 amp resistive at 110 VDC

Electrical differential pressure switch operation:

When preset differential pressure is exceeded continuity switches from Normally Closed (NC) - Common to Normally Open (NO) - Common.

When differential pressure decreases below pre-set value, continuity returns to Normally Open (NO) - Common to Normally Closed (NC) - Common.

Figure 1 - Switch Circuit Diagram



See individual indicator options for connection details.

7 Filter element servicing

During servicing, the external surfaces of the filter assembly must be cleaned to remove any dust deposits.

Servicing must be conducted using suitable tools that do not present a hazard.

Servicing must not be carried out when a potentially explosive atmosphere is present.

CAUTION:

Filter elements should be replaced upon indication or at specified intervals, six months maximum. Failure to change the element will cause the filter to go on bypass.

Refer to Service Parts List (Section 9) for item numbers for applicable replacement element series. Remove and replace element as follows:

- 7.1 Turn off and depressurize the system. Open vent plug (5) at top of filter one and one-half turns.

WARNING:

FAILURE TO DEPRESSURISE THE FILTER BEFORE SERVICING ELEMENT COULD RESULT IN EXPLOSIVE LOSS OF FLUID, DAMAGE TO EQUIPMENT AND POSSIBLE PERSONAL INJURY.

- 7.2 Open drain plug (5) at the bottom of the bowl and drain fluid from the bowl into a suitable waste receptacle. Replace and torque tighten drain plug to 12 ft/lb or 16 Nm. Unscrew and remove the bowl (2) from head (1) counter-clockwise when viewed from below.
- 7.3 Element replacement (UE210 Series): Remove filter element (8), if already fitted, and carefully inspect the interior surface (flow through the element is in-to-out) for visible contamination. Normally no dirt should show, but visible dirt or particles can be an early warning of system component failure. Discard both the filter element and its O-ring. The filter element is NOT CLEANABLE. Any attempt to clean the filter element can cause degradation of the filter medium and allow contaminated fluid to pass through the filter element.

WARNING:

DO NOT ATTEMPT TO CLEAN OR RE-USE THE ELEMENT. ONLY USE GENUINE PALL REPLACEMENT FILTER ELEMENTS. USE OF SUBSTITUTE ELEMENTS MAY INVALIDATE PRODUCT WARRANTY.

UR210 Series

service instructions

- 7.4 DO NOT run the system without a filter element installed. Check that the O-ring (3) between the bowl (2) and head (1) is not damaged. Use the replacement filter as indicated by the part number on the element endcap.
- 7.5 Lubricate element O-ring with clean system fluid. Reinstall element in the shell assembly. Lightly lubricate bowl to head O-ring with clean system fluid and reassemble the housing until thread bottoms. Tighten to 10-14LBFT (13-19Nm).
- 7.6 Bleed the filter by filling the filter until all air bleeds through the vent plug(7), then torque tighten the vent plug to 12 lb/ft or 16Nm. Check for leaks as per section 4.8.
- 7.7 After element change ENSURE DIFFERENTIAL PRESSURE DEVICE IS RESET. Brass visual and electrical and stainless steel electrical switches reset automatically. When system reaches normal operating temperature, check that the electrical switch and/or visual warning button/flag has not actuated. If visual indicator actuates due to a cold start condition, reset again as per section 6.

8 Warranty, Limitation of Liability and Remedies

THERE IS NO WARRANTY OF MERCHANTABILITY OR FITNESS FOR ANY PARTICULAR PURPOSE WITH RESPECT TO ANY OF THE PRODUCTS, NOR IS THERE ANY OTHER WARRANTY EXPRESS OR IMPLIED, EXCEPT AS PROVIDED FOR HEREIN.

For a period of twelve months from the date of delivery from Seller or three thousand hours of use, whichever occurs first (the "Warranty Period"), Seller warrants that products manufactured by Seller when properly installed and maintained, and operated at ratings, specifications and design conditions, will be free from defects in material and workmanship. By way of explanation and not limitation, the Seller does not warrant the service life of the filter element as this is beyond the Seller's control and depends upon the condition of the system into which the filter is installed. Seller's liability under any warranty is limited solely (in Seller's discretion) to replacing (FOB original ship point), repairing or issuing credit for products that become defective during the Warranty Period. Purchaser shall notify Seller promptly in writing of any claims and provide Seller with an opportunity to inspect and test the product claimed to be defective. Buyer shall provide Seller with a copy of the original invoice for the product, and prepay all freight charges to return any products to Seller's factory, or other facility designated by Seller. All claims must be accompanied by full particulars, including system operating conditions, if applicable.

Seller shall not be liable for any product altered outside of the Seller's factory except by Seller or Seller's authorized distributor, and then, as to the latter, only for products which have been assembled by the distributor in accordance with Seller's written instructions. Nor shall Seller be liable for a product subjected to misuse, abuse, improper installation, application, operation, maintenance or repair, alteration, accident or negligence in use, storage transportation or handling.

In no event will Seller be liable for any damages, incidental, consequential or otherwise, whether arising out of or in connection with the manufacture, packaging, delivery, storage, use, misuse, or non use of any of its products or any other cause whatsoever.

9 Parts List

List	Description	Quantity
1	Filter Head	1
2	Bowl	1
3	O-ring (head-to-bowl)	1
4	Indicator or port plug kit (not shown)	1
5	Bleed/drain plug UR219*A (SAE Ports) UR219*C (BSP Ports)	2
6	Filter element	1
7	Adaptor element	1

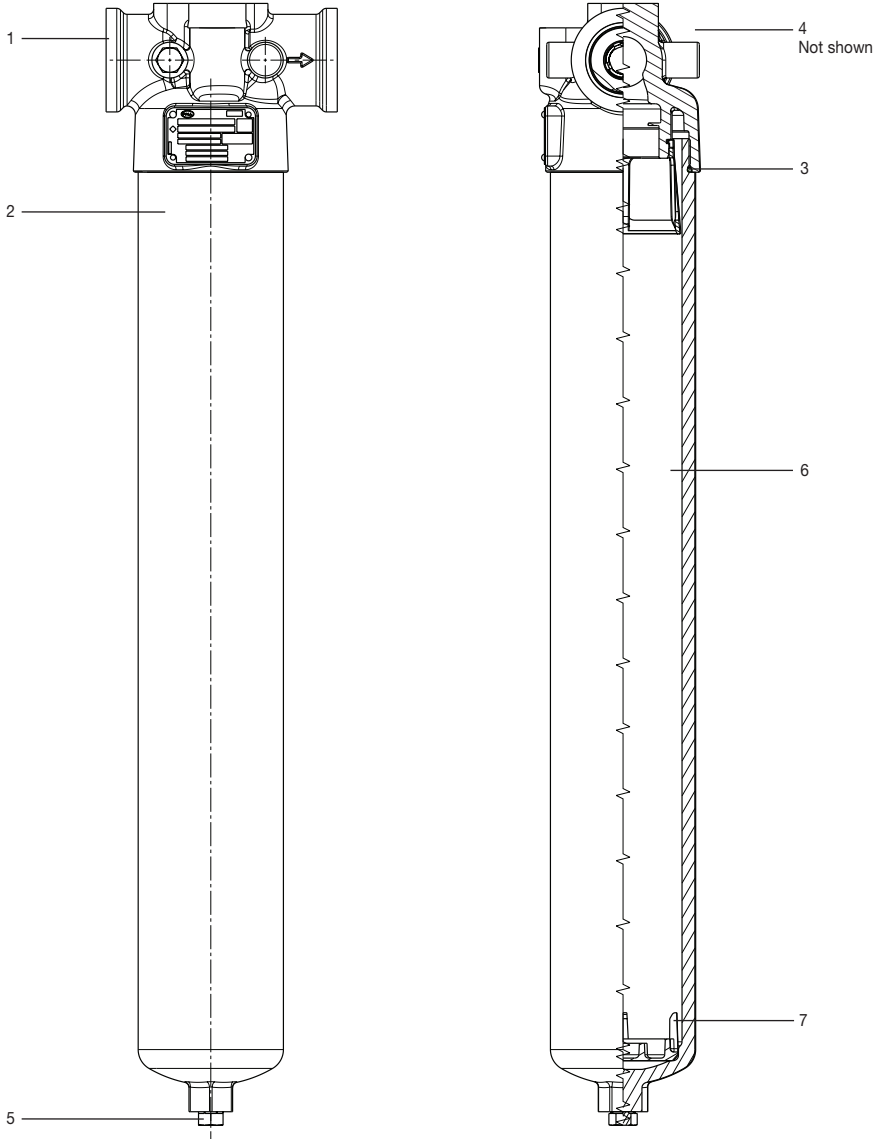
UR210

RETURN LINE FILTERS

UR210 Series

service instructions

Figure 2



UR210

RETURN LINE FILTERS

UR210 Series

service instructions



Pall Corporation

25 Harbor Park Drive
Port Washington, NY 11050
+1 516 484 3600 telephone
+1 800 289 7255 toll free US

Portsmouth - UK
+44 (0)23 9233 8000 telephone
+44 (0)23 9233 8811 fax
www.pall.com/contact



**Better Lives.
Better Planet.SM**

Visit us on the Web at www.pall.com

Pall Corporation has offices and plants throughout the world. For Pall representatives in your area, please go to www.pall.com/contact

Because of technological developments related to the products, systems, and/or services described herein, the data and procedures are subject to change without notice. Please consult your Pall representative or visit www.pall.com to verify that this information remains valid.

© Copyright 2019, Pall Corporation. Pall, and  are trademarks of Pall Corporation.

® Indicates a trademark registered in the USA. Better Lives. Better Planet. and Filtration. Separation. Solution.SM are service marks of Pall Corporation.



Pall Corporation

UR210

UR210系列



CN (Simplified) UR210 使用说明书

中文
(SIMPLIFIED)

使用说明书

M&ESIUR210CN(S)c

Filtration. Separation. Solution.SM

1 规格

滤壳材料:

过滤头和滤杯: 铝合金、涂漆外饰面

最高工作压力:

41巴(600 psi)

耐受压力:

62巴(900 psi)

最低爆破压力:

165巴(2400 psi)

滤芯破坏:

UE210滤芯最低压差 10巴(150 psid)

工作温度范围:

带适合石油基和指定合成液体的碳氟化合物密封时, -29° C至120° C (-20° F至250° F)

在HWCf、水油乳液或水乙二醇中最高60°C (140° F)

旁路阀设置选项:

1.7 ± 0.2巴(25 ± 3 psid)破裂压力

4.5 ± 0.5巴(65 ± 7 psid)破裂压力

注意:

最低喘流不应超过正常流量的**1.3倍**。

密封材料:

碳氟化合物

用户应检查实际工作条件, 以确保滤芯、滤壳和所有密封均适合液体和应用且符合当地安全法规。如果需要其他信息, 请联系原厂或批准的经销商。

2 接收设备

滤壳和所有选装设备均单独包装, 以供客户组装。请小心拆包以免将选装零件留在将废弃的包装材料中。

3 一般信息源

- 对于尺寸、工作参数、总成/元件的零件号、订购信息、备注、性能数据和规格, 请参阅数据表。
- 本设备已经按照欧洲压力指令97/23/EC中制定的指导原则评估并按照安全可靠工程惯例(SEP)分类。我们在此声明, 设备满足第3条第3节的要求, 因而满足指令要求。根据指令的条款, 过滤器总成仅适用于第2组液体。
- 在可合理预见的条件下(包括外部火灾), 可能超过容许极限, 客户必须在连接的液体系统中安装合适的保护装置。

UR210系列

使用说明书

4 安装滤壳

- 过滤器可在任何海拔高度安装, 但为便于维修, 建议垂直安装且滤杯朝下。
- 拆下滤芯所需最小间隙如下所示: 76.2mm或3" (所有长度的滤壳)。UR210滤壳没有过滤器。对于滤芯安装和维修步骤, 请参阅第7节。
- 如有安装, 带螺纹的压差设备必须拧至40 lbf/ft或54Nm力矩拧紧。所有可视指示器必须清晰可见。

注意: UR210过滤头配有加工成型的压差警告设备端口, 此端口装有塑料装运堵头。如果未订购压差警告设备, 必须拆下装运堵头并换上B型堵塞器(HA9000-A104Z), 然后使用40 lb/ft或54Nm力矩拧紧。

注意: 在下O型环凹槽中安装统一尺寸的-O14 O型环前, 切勿使用堵头堵住端口, 否则, 旁路将出现小水流, 致使污染物物流到滤芯下游。

注意:

切勿操作过滤器, 否则警告设备端口会闭合。

- 使用四根5/16-18 (A端口)或M8 x 1.25 (C端口) 螺栓将过滤器总成装在过滤头安装垫片上。使用10 - 14 lb/ft或14 - 19 Nm力矩拧紧螺栓。
- 如果可能回流, 在过滤器下游安装止回阀。
- 如需在系统不停机时维护过滤器, 请使用另一管道/阀门安装滤罩, 以使过滤器总成完全旁通。此系列不用于双路或维修旁路结构。

注意:

从滤芯回流会导致过滤器损坏。

注意: 建议尽量在离端口连接处近的位置安装管道支架, 以将外部负载降至最低。此过滤器总成不得与用户的接地系统电气隔离。此过滤器总成必须通过以下方法接地: 将用户的接地系统接至入水/出水口连接处。

- 将管路或软管连接滤壳入水和出水口。

警告:

使用兼容所提供端口的接头或适配器, 如铭牌和数据表中零件号所示; 使用错误接头或适配器可导致滤罩或歧管出现故障, 致使压力下降、系统出现故障或人员受伤。

注意：可在滤壳上喷漆。滤壳上的涂层是合适的底漆。在外壳上喷漆时，遮盖压差警告设备和铭牌。

- 4.8 将过滤器顶部的放气塞(6)拧开一圈半对过滤器放气。慢慢运行系统并装满过滤器，直至所有空气通过放气塞，然后使用12 ftlb或16Nm力矩拧紧放气塞。对系统完全加压并检查是否泄漏；如果泄漏，请参阅第5节。

注意：

滤罩未完全放气将增加系统液体中溶解的空气含量，从而缩短液体寿命并导致系统中出现其他问题。

5 日常维护

- 5.1 除定期监测压差警告设备外，在正常情况下，颇尔过滤器无需特别注意。安排最长每六个月更换一次滤芯并备足备用滤芯。
- 5.2 如果发现从外部泄漏，请更换泄漏处的O型环。如果仍然泄漏，请检查密封面是否划伤或裂开；更换损坏的零件。
- 5.3 在需要更换滤芯或“冷启动”状态下液体粘度较高时，压差设备发出警告。如果出现“冷启动”状态，请参阅6.2和6.3节。
- 5.4 脏污的系统可能很快堵塞新滤芯，特别是在使用颇尔高效过滤介质时。此时，可能需要更换一次或两次原装滤芯，以便保持滤芯的寿命。如果滤芯寿命短或压差较高，过滤器可能不够大；请参阅产品手册中的尺寸和选择章节或联系当地颇尔代表。
- 5.5 确保滤芯更换标签干净、未损坏。将字迹模糊的标签更换为相应的新标签。

6 压差设备

对于尺寸、工作参数、零件编号、订购信息和规格，应参考产品手册。

- 6.1 在需要更换滤芯或液体粘度“冷启动”状态下较高时，压差设备发出信号。
- 6.2 如果不锈钢可视指示器（若安装）在“冷启动”时发出信号（红色按钮弹起5mm(3/16"）），在达到正常工作温度时，请按按钮重置。如果指示器在重置后发出信号，请更换滤芯。如果黄铜可视指示器（若安装）在“冷启动”时发出信号（指示器内标志的变红），在达到正常工作温度时，则会自动重置。如果指示器在达到正常工作温度后仍然发出信号，请更换滤芯。

注意：‘P’可视指示器选件具有热锁定和手动重置功能。在0°C (32° F) 以下和29°C (80° F) 以上时，不会发出信号。

- 6.3 如果电气开关在冷启动时发出信号（例如，红灯亮起），则继续运行，直至信号（红灯）在系统升至正常工作温度时消失。此功能可在运行过程中作为“预热”指示。如果警告信号（红灯）仍存在或在系统升温后出现，请更换滤芯。
- 6.4 建议使用正指示（绿灯）和负指示（红灯，提示滤芯变脏）有效监测滤芯的寿命。

电气连接和额定值取决于所选指示器。以下仅列出典型值：

110 VAC	=	4A (感应式), 4A (电阻式)
220 VAC	=	4A (感应式), 4A (电阻式)
28 VDC	=	3A (感应式), 5A (电阻式)
48 VDC	=	1A (感应式), 1.5A (电阻式)
125 VDC	=	0.25A (感应式), 0.5A (电阻式)

最高涌流 - 24安

Underwriter's lab.Inc.列出压力开关（微动开关）选件的如下额定值：

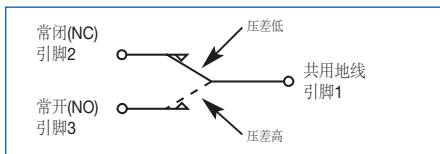
250 VAC	下4安
220 VDC	下0.25安（电阻式）
110 VDC	下0.50安（电阻式）

电气压差开关运行：

在超过预设压差时，从“常闭(NC) - 共用地线”切换到“常开(NO) - 共用地线”。

当压差降至预设值以下时，从“常开(NO) - 共用地线”恢复为“常闭(NC) - 共用地线”。

图1 - 开关电路图



有关连接详情，请参阅各指示器选项。

7 滤芯维修

在维修时，必须洗去过滤器总成外表面上的所有灰尘。
必须使用不会产生危险的合适工具维修。
在空气可能引发爆炸时，切勿维修。

注意：

在提示或达到指定间隔（最长六个月）时更换滤芯。未更换滤芯将导致过滤器不会有效过滤。

有关合适替换滤芯系列的零件号，请参阅备件清单（第9节）。
按以下步骤拆卸和更换滤芯：

7.1 关闭系统并减压。将过滤器顶部的放气塞(5)拧开一圈半。

警告：

在维修滤芯前未对过滤器减压可导致液体大量流失，使设备损坏，人员也可能受伤。

- 7.2 打开滤杯底部的排水阀(5)并将滤杯中的液体排入合适的废物桶中。更换排水阀并使用12 ft/lb或16 Nm力矩拧紧。从过滤头(1)上逆时针（从下往上看）拧下滤杯(2)。
- 7.3 更换滤芯（UE210系列）：拆下滤芯(8)（若已安装）并仔细检查内表面（流进和流出滤芯）是否变质。正常情况下应没有污渍，但可见污渍或颗粒是系统组件故障的预警。丢弃滤芯及其O型环。滤芯不可清洁。尝试清洁滤芯可导致滤材性能下降，使脏污液体流过滤芯。

警告：

切勿尝试清洁或二次使用滤芯。
只能使用原厂生产的替换滤芯。使用其他滤芯可能导致产品保修失效。

- 7.4 未安装滤芯时，切勿运行系统。检查并确保滤杯(2)和过滤头(1)间的O型环(3)未损坏。使用滤芯端盖上零件号标出的替换滤芯。
- 7.5 使用干净的系统液体润滑滤芯O型环。将滤芯重新装入滤壳总成。使用干净的系统液体稍微润滑滤杯与过滤头间的O型环并重新组装滤壳，直至拧到最后一圈螺纹。拧至10-14LBFT (13-19Nm)。
- 7.6 在过滤器中加满水以便放出气体，直至所有空气通过放气塞(7)，然后使用12 lb/ft或16Nm拧紧放气塞。按照4.8节内容检查是否泄漏。
- 7.7 更换滤芯后，确保压差设备已重置。黄铜可视指示器、电气开关和不锈钢电子开关自动重置。在系统达到正常工作温度时，请检查并确保电气开关和/或可视警告按钮/标志未发出信号。如果冷启动状态导致可视指示器发出信号，请按照第6节内容再次重置。

8 保修、责任限制和补救措施

除非另有说明，我们不提供产品适用性或特定用途适用性的任何保修，也不提供任何明示或暗示保证。

自销售方供货起十二个月或使用三千小时内（“保修期间”，以先到者为准），在正确安装和保养以及按额定要求、规范和设计条件使用的条件下，销售方保证销售方生产的产品没有材料和工艺缺陷。作为说明而非限制，销售方对滤芯的使用寿命不提供保证，因为这不在于销售方的控制范围内且取决于安装过滤器的系统条件。

销售方的保证责任仅限于更换（FOB原发货点）、维修保修期间出现故障的产品（由销售方判定）或为其提供信用证。购买方要尽快书面通知销售方提出索赔，并为销售方提供检验和测试涉及缺陷的产品。购买方要为销售方提供产品发票原件复印件，预先支付将产品退回销售方工厂或销售方指定地点产生的运费。所有索赔都必须提供全部详情，包括适用的系统操作条件。

对于在销售方工厂外（销售方或销售方授权的经销商除外）改装的任何产品，销售方概不负责；至于授权经销商改装的产品，销售方仅对授权经销商按照其书面说明组装的产品负责。对于出现误用、滥用、不当安装、应用、操作、保养或维修、改装以及使用、储存、运输或搬运过快的产品，销售方概不负责。

对于与本产品生产、包装、交付、储存、使用、不当使用或未使用相关的任何偶然、必然或其他损失，销售方概不负责。

9 零件清单

列表	描述	数量
1	过滤头	1
2	滤杯	1
3	O型环（过滤头与滤杯间）	1
4	指示器或塞子套件（未显示）	1
5	放气/排水阀 UR219*A（SAE端口） UR219*C（BSP端口）	2
6	滤芯	1
7	适配器元件	1

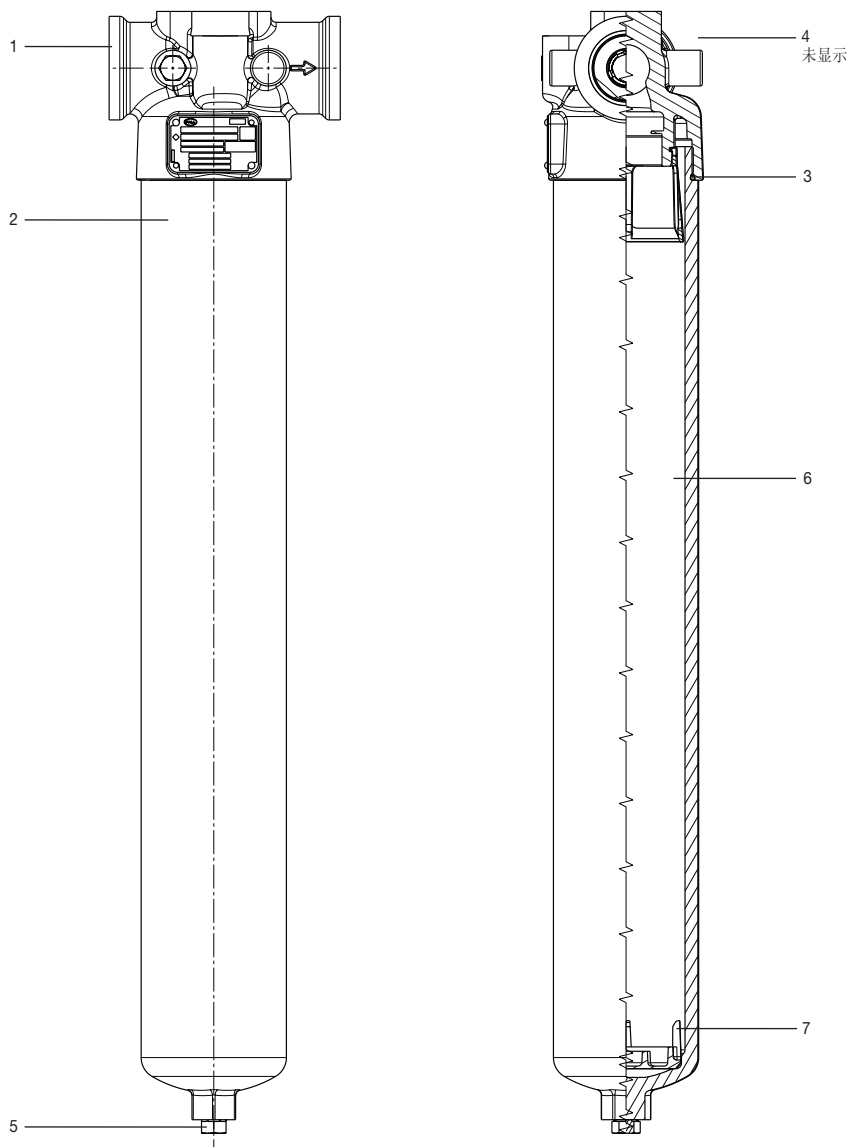
UR210

回流管过滤器

UR210系列

使用说明书

图2



UR210

回流管过滤器

UR210系列

使用说明书

中文
(SUPPLIED)

UR210

回流管过滤器

UR210系列

使用说明书



Pall Corporation

25 Harbor Park Drive
Port Washington, NY 11050
电话: +1 516 484 3600
美国免费电话: +1 800 289 7255

Portsmouth - UK
电话: +44 (0)23 9233 8000
传真: +44 (0)23 9233 8811
www.pall.com/contact

欢迎访问我们的网站: www.pall.com



**Better Lives.
Better Planet.**

颇尔公司的办事处和工厂遍布世界各地。如需了解颇尔当地代表, 请访问www.pall.com/contact

由于所述产品、系统和/或服务不断采用新技术, 数据和程序可能随时变更, 恕不另行通知。请咨询您的颇尔代表或访问www.pall.com, 确认本资料信息是否有效。

© 版权所有2019, 颇尔公司。Pall和  均是颇尔公司的商标。

®表示美国注册商标。Better Lives.Better Planet 以及 Filtration.Separation.Solution.sm均为颇尔公司的服务标志。



Pall Corporation

UR210

UR210 系列



CN (Traditional) 中文UR210使用說明書

中文
(TRADITIONAL)

使用說明書

M&ESIUR210CN(T)c

Filtration. Separation. Solution.SM

1 規格

外殼材質：

頭部及本體：鋁合金、外部塗漆處理

最大操作壓力：

41 bar (600 psi)

驗證壓力：

62 bar (900 psi)

最小爆裂壓力：

165 bar (2400 psi)

濾芯崩潰：

UE210濾芯至少10 bard (150 psid)壓差

操作溫度範圍：

-29° C 至 120° C (-20° F 至 250° F)，有氟碳化物密封時，用於石油基及指定合成液體

最大60° C (140° F)，HWCF、水油乳液或水-乙二醇液體時。

旁通閥設定選項：

1.7 ± 0.2 bard (25 ± 3 psid)開啟壓力(cracking pressure)

4.5 ± 0.5 bard (65 ± 7 psid)開啟壓力(cracking pressure)

注意：

最大湧升流量不得超過正常流量的1.3倍。

密封：

氟碳化物

使用者須檢查實際操作條件，以確保元件、外殼及所有密封與流體及應用相容，且符合當地安全規定。如需更多資訊，請洽詢Pall或授權經銷商。

2 收到設備

過濾器外殼及其他選購設備均為獨立包裝，待由客戶組裝。拆封時應小心，並確保選購物品未遺落在欲丟棄的包裝內。

3 一般資訊來源

- 1.1 尺寸、操作參數、組件 / 元件料號、訂購資訊、注意事項、性能資料及規格，參見規格表。
- 1.2 本設備已依據歐洲壓力指令97/23/EC規定之指導方針進行評估，並已歸入完善的工程作業規範S.E.P (sound engineering practice)中。設備符合第3條第3款要求，因此符合指令要求，特此聲明。按本指令之規定，過濾器組件僅適用於第2類(group 2)流體。
- 1.3 在合理可預見的情況下包含外部火災在內，可能超過允許的極限值，客戶必須在相連的流體系統中安裝適當的保護裝置。

4 安裝外殼

- 4.1 過濾器能以任意姿態安裝，但為方便維修，建議垂直安裝，本體朝下。
- 4.2 取出濾芯所需之最小間距為：
所有長度均為76.2Mm 或 3"。提供的UR210外殼不含濾芯。濾芯安裝及維修程序，參見第7章。
- 4.3 安裝螺紋壓差裝置時，必須鎖緊至扭力40 lbf_t 或 54Nm。所有目視指示必須清楚可見。

備註：UR210頭部出廠時附有機械加工的壓差警告裝置接口，並裝有塑膠運輸塞。若未訂購壓差警告裝置，則必須取下運輸塞，並安裝B型孔塞(blanking plug, HA9000-A104Z)，鎖緊扭力為40lb_t/ft 或 54Nm。

備註：務必先在下O形環凹槽中安裝均勻尺寸的-014 O形環後，才能將孔塞裝入此接口中，否則會形成少量旁通流，而導致濾芯下游污染。

注意：

未將警告裝置接口密封前，切勿操作過濾器。

- 4.4 將4個5/16-18 ('A' 接口) 或M8 x 1.25 ('C'接口) 螺栓置於頭部安裝板孔內，以固定過濾器組件的位置。螺栓鎖緊扭力為10-14 ft/lb 或 14-19 Nm。
- 4.5 若有反向流的可能性，則應在過濾器下游安裝止回閥。
- 4.6 若過濾器需要維護且不得關閉系統，則應利用額外的管件 / 閥門安裝過濾器外殼，以便能旁通整個過濾器組件。本系列不適用於雙工或維修旁路配置。

注意：

反向流通濾芯會造成損壞。

備註：管件支撐應儘可能靠近接口連接處，以將外部負荷降至最低。本過濾器組件與使用者的接地系統之間不得為電氣隔離。必須藉由將使用者的接地系統與其中一個入口 / 出口連接處連接，將本過濾器組件接地。

- 4.7 將管線或軟管連接至外殼出口及入口接口。

警告：

使用與隨附接口相配的接頭或轉接頭，參見銘牌上之料號及規格表所示；使用錯誤的接頭或轉接頭可能造成過濾器外殼或歧管失效，導致壓力損失、系統故障或人員受傷。

備註：可選擇塗裝過濾器外殼，過濾器外殼的塗層是合適的底漆。如欲進行外殼塗裝，則應先遮住壓差警告裝置及銘牌。

- 將過濾器頂部的通氣塞(5)旋開一圈半，以排空過濾器。輕搖系統並填充滿過濾器，直到所有空氣經由旋塞排出後，再以12ftlb或16Nm的扭力鎖緊旋塞。將系統完全加壓檢查洩漏情況，如有洩漏，參見第5節。

注意：

若未能確實排空過濾器外殼，將造成溶解在系統流體內的空氣量增加，進而縮短流體壽命並可能導致其他系統問題。

5 日常維護

- Pall過濾器除定期監測壓差警告裝置外，一般不需要特別注意。安裝每六個月或更早更換濾芯，並備妥充足的備用濾芯。
- 若發現外部洩漏，則更換洩漏處的O形環。若持續洩漏，檢查密封表面是否有刮痕或裂縫，更換有瑕疵的零件。
- 當濾芯需要更換或因在「冷啟動」時高流體黏度的情況下，則壓差裝置動作。若「冷啟動」狀態持續，參見6.2及6.3節。
- 髒污的系統可能很快堵塞新濾芯，特別是在使用Pall高效過濾介質時。一開始可能需要更換一次或兩次濾芯，以穩定濾芯壽命。若濾芯壽命短或壓差過大，可能表示過濾器尺寸過小，請參閱產品說明文件的尺寸選擇章節，或洽詢當地Pall代表。
- 確認濾芯更換標籤乾淨且未受損。若標籤難以辨認，則應更換適當的新標籤。

6 壓差裝置

應參閱產品說明文件中的尺寸、操作參數、料號、訂購資訊及規格。

- 當濾芯需要更換或因在「冷啟動」時高流體黏度的情況下，則壓差裝置動作。
- 若裝有不鏽鋼目視指示器且在「冷啟動」期間動作（紅色按鈕延伸5mm、3/16"），則在達到正常操作溫度後按下按鈕以復位。若指示器在復位後動作，則更換濾芯。若裝有黃銅目視指示器且在「冷啟動」期間動作（指示器內的旗標變成紅色），則會在達到正常操作溫度時自動復位。若在達到正常操作溫度後仍處於動作狀態，則更換濾芯。

備註：'P'目視指示器選購件具有溫度鎖定及手動復位。
0° C (32° F)以下無訊號，29° C (80° F)以上有訊號。

- 若冷啟動期間電氣開關動作（例如亮紅燈），則繼續操作直到系統加熱至正常操作溫度時，訊號（紅燈）消失。此功能可作為操作程序中的「預熱」指示。若系統升溫後警告訊號（紅燈）仍持續或出現，則更換濾芯。
- 建議同時使用正常指示（綠燈）及異常指示（紅燈表示濾芯變閉），以有效監測濾芯壽命。

電氣連接及額定值取決於選用的指示器。以下僅顯示典型數值：

110 VAC	=	4A (電感), 4A (電阻)
220 VAC	=	4A (電感), 4A (電阻)
28 VDC	=	3A (電感), 5A (電阻)
48 VDC	=	1A (電感), 1.5A (電阻)
125 VDC	=	0.25A (電感), 0.5A (電阻)

最大湧升—24安培。

Underwriter's lab. Inc.列名壓力開關（微動開關）的額定值選項包括：

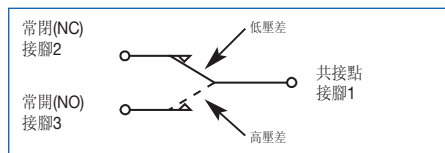
4安培, 250 VAC時
0.25安培 (電阻), 220 VDC時
0.50安培 (電阻), 110 VDC時

電動壓差開關操作：

超過預設壓差時，連續性從常閉(NC)—共接點切換至常開(NO) —共接點。

若壓差降至預設值以下，則連續性從常開(NO) —共接點切回至常閉(NC) —共接點。

圖1、開關電路圖



詳細連接說明參見個別指示器選項。

7 濾芯維修

維修時，必須清潔過濾器組件外部表面，以去除堆積的灰塵。必須以不會造成危險的合適工具進行維修。不得在可能爆炸的環境中進行維修。

注意：

須依指示或按照規定的間隔時間（最長六個月）更換濾芯。未更換濾芯將導致過濾器持續旁通。

適用更換濾芯系列之品項編號，參見維修零件表（第9節）。按照以下說明取出並更換濾芯：

- 7.1 關閉系統並降壓。將過濾器頂部的通氣塞(5)旋開一圈半。

警告：

維修濾芯前若未先將過濾器降壓，可能導致流體爆炸損失、設備受損及人員受傷。

- 7.2 打開本體底部的排放塞(5)，將本體內的流體排放至合適的廢棄物容器中。更換並鎖緊排放塞至扭力12 ft/lb 或 16 Nm。從下方觀看時，逆時針旋轉鬆開本體(2)並從頭部(1)取下。
- 7.3 更換濾芯（UE210系列）：若已裝有濾芯(8)，取出並仔細檢查內部表面（通過濾芯的流向為由內向外）是否有明顯的污染情況。正常情況下不應出現髒污，但若發現髒污或粒子可能是系統元件故障的早期警告。丟棄濾芯及O形環。濾芯無法清潔。試圖清潔濾芯可能導致過濾介質劣化，並使髒污的流體通過濾芯。

警告：

切勿試圖清潔或重複使用濾芯。
只能更換PALL原廠濾芯。使用替代濾芯可能導致產品保固失效。

- 7.4 切勿在未安裝濾芯的情況下運轉系統。確認本體(2)與頭部(1)之間的O形環(3)未受損。使用與濾芯端蓋上所示料號相同的濾芯進行更換。
- 7.5 使用乾淨的系統流體潤滑濾芯的O形環。將濾芯裝回殼體組件內。用乾淨的系統流體略微潤滑本體與頭部間的O形環，並裝回外殼直到螺紋鎖到底。鎖緊至10-14LBFT (13-19Nm)。
- 7.6 藉由填充過濾器以排空過濾器，直到所有空氣經由通氣塞(7)排出，並以12 lb/ft 或 16Nm的扭力鎖緊通氣塞。按照4.8節檢查洩漏。
- 7.7 更換濾芯後，確認壓差裝置復位。黃銅目視及電動與不鏽鋼電動開關自動復位。當系統達到正常操作溫度時，確認電動開關及/或目視警告鈕/旗標無動作。若目視指示器因冷啟動狀態而動作，則按照第6節再次復位。

8 保固、責任限制及補救措施

就產品而言，除文中所述外，不保證任何特定用途之可售性(MERCHANTABILITY)或合適性，亦沒有任何其他明示或暗示之保證。

自賣方交貨日起12個月內或使用三千小時內，以先到者為準（「保固期」），賣方保證由賣方製造的產品，在正確安裝及維護並按照額定值、規格及設計條件操作之情況下，無任何材料及工藝上的缺失。藉由以說明而非限制之方式，賣方無法保證濾芯的使用壽命，因為此超出賣方的控制範圍，且取決於裝有過濾器之系統的狀態。

針對保固期內有缺失的產品，賣方的保固責任僅限於更換（FOB原始出貨地點）、檢修或給予折抵額度（由賣方自行決定）。買方須立即以書面方式通知賣方任何事，並讓賣方有機會檢驗及測試宣稱有缺失的產品。買方須提供賣方產品正本發票的副本，並預付將產品送回賣方工廠或賣方指定其他地點的所有運費。所有事由必須隨附完整詳細說明，包含適用之系統操作情況。

賣方不為任何在賣方工廠以外、非賣方或賣方授權經銷商所做的產品變更負任何責任，若為由授權經銷商變更者，則僅限於經銷商按照賣方書面說明組裝之產品。賣方亦不為任何因誤用、濫用、不當安裝、應用、操作、維護或檢修、變更、意外或疏忽於使用、儲存、運輸或處理之產品負任何責任。

不論在任何情況下，賣方皆不為因任何產品之製造、包裝、交貨、儲存、使用、誤用或未使用或任何其他原因造成之損害、事故、後果或其他情況負任何責任。

9 零件表

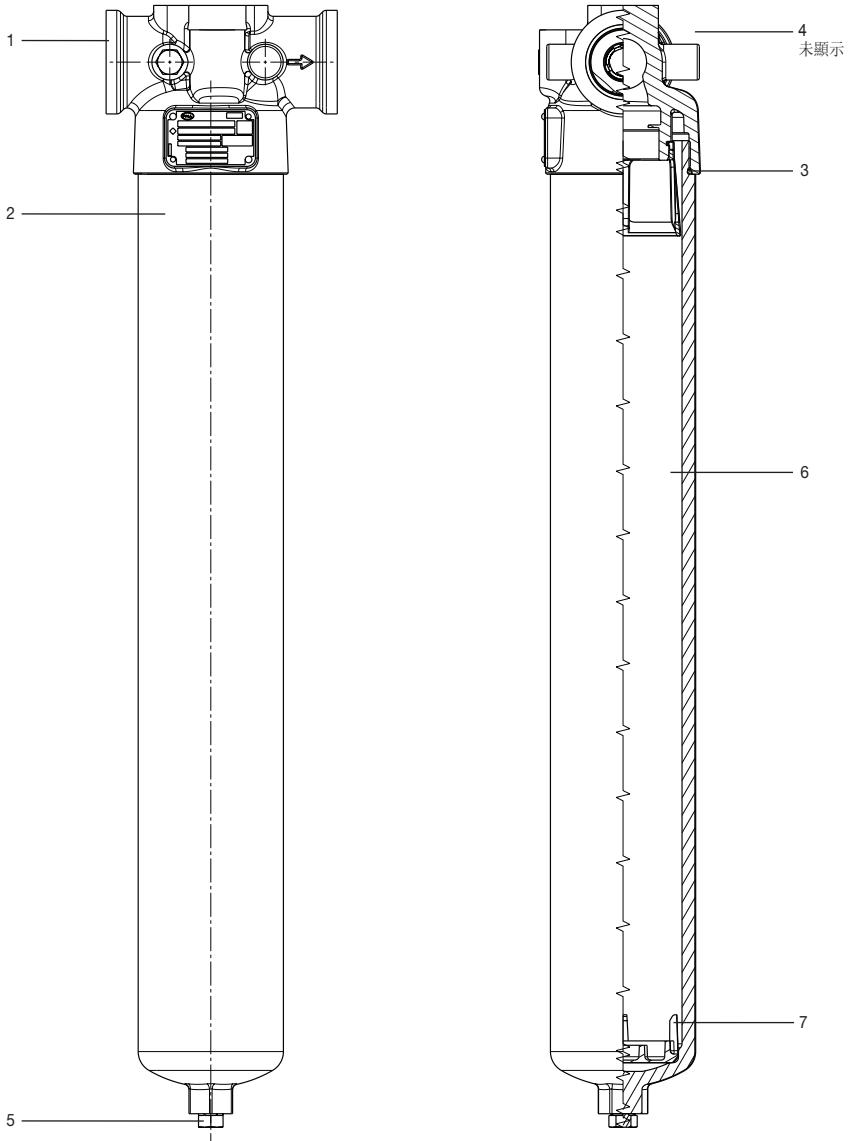
編號	說明	數量
1	過濾器頭部	1
2	本體	1
3	O形環（頭部—本體之間）	1
4	指示器或接口孔塞套件（未顯示）	1
5	排空 / 排放塞 UR219*A（SAE接口） UR219*C（BSP接口）	2
6	濾芯	1
7	轉接頭元件	1

UR210

返回管線過濾器

UR210系列
使用說明書

圖2



UR210

返回管線過濾器

UR210系列

使用說明書

UR210

返回管線過濾器

UR210系列

使用說明書



Pall Corporation

25 Harbor Park Drive
Port Washington, NY 11050
+1 516 484 3600 電話
+1 800 289 7255 美國免費電話

Portsmouth - UK
+44 (0)23 9233 8000 電話
+44 (0)23 9233 8811 傳真
www.pall.com/contact

我們的網站: www.pall.com



**Better Lives.
Better Planet.SM**

Pall Corporation在全球都有辦公室和工廠。有關您所在地區的Pall Corporation代表，請參閱網站：www.pall.com/contact。

由於文中提及的相關產品、系統及/或服務的技術開發其資料和程序可能變更，恕不另行通知。請洽詢您的Pall Corporation代表或連結至www.pall.com，以確認本資訊是否仍有效。

© 版權2019, Pall Corporation。Pall及  為Pall Corporation的商標。

® 表示美國註冊商標。Better Lives. Better Planet and Filtration. Separation. Solution.SM 為 Pall Corporation的服務標章。



Pall Corporation

UR210

Baureihe UR210

Wartungsanleitung



DE UR210 Wartungsanleitung

DEUTSCH

M&ESIUR210DEc

1. Spezifikationen

Gehäusematerialien:

Kopf und Glocke: Aluminiumlegierung, lackierte Oberfläche

Maximaler Betriebsdruck:

41 bar

Prüfdruck:

62 bar

Minimaler Berstdruck:

165 bar

Elementdifferenzdruckfestigkeit:

UE210 Element, 10 bar (150 psi) Differenzdruck

Betriebstemperaturbereich:

-29° C bis + 120° C (-20° F bis 250° F) mit FKM-Dichtungen für mineralische und synthetische Flüssigkeiten maximal 60° C (140° F) bei HWCF, Wasser-Öl-Emulsionen bzw. Wasser-Glykol Flüssigkeiten

Öffnungsdruck der Bypassventile:

Bypassöffnungsdruck $1,7 \pm 0,2$ bar

Bypassöffnungsdruck $4,5 \pm 0,5$ bar

VORSICHT:

Der maximale Durchsatz sollte nicht mehr als das 1,3-fache des normalen Volumenstroms betragen.

Dichtungen:

Fluorkautschuk (FKM)

Bitte prüfen Sie die vorhandenen Betriebsbedingungen vor Einbau des Filters. Stellen Sie sicher, dass Gehäuse, Filterelement und Dichtungen mit der Flüssigkeit verträglich und für die Anwendung geeignet sind und den im Betrieb geltenden Sicherheitsvorschriften entsprechen. Für weitere Informationen wenden Sie sich bitte an Pall oder einen autorisierten Händler.

2 Anlieferung der Filter

Das Filtergehäuse und alles weitere Zubehör sind einzeln verpackt und vom Kunden zu montieren. Bitte packen Sie die Teile vorsichtig aus und vergewissern Sie sich, dass keine Einzelteile in der Verpackung zurückgeblieben sind, bevor sie diese entsorgen.

3 Allgemeine Informationen

- Abmessungen, Betriebsdaten, Komplettfilter- und Elementbezeichnungen, Bestellinformationen, Anmerkungen, Leistungsdaten und Spezifikationen entnehmen Sie bitte dem Datenblatt.
- Dieser Filter wurde nach den Richtlinien der Europäischen Druckgeräte Richtlinie 97/23/EC bewertet und entspricht „guter Ingenieurpraxis“. Wir erklären, dass der Filter die Anforderungen von Artikel 3, Abschnitt 3 erfüllt und somit den Normanforderungen entspricht. Nach den Bestimmungen dieser Norm ist der Komplettfilter daher nur für Flüssigkeiten der Gruppe 2 geeignet.
- Wenn die zulässigen Grenzwerte unter vorhersehbaren Bedingungen, einschließlich Bränden im Außenbereich, überschritten werden könnten, müssen vom Kunden geeignete Schutzvorrichtungen innerhalb des angeschlossenen Flüssigkeitssystems installiert werden.

4 Einbau des Gehäuses

- Der Filter kann in jeder beliebigen Lage eingebaut werden, aber zur Erleichterung der Wartungsarbeiten ist es empfehlenswert, den Filter senkrecht, mit der Glocke nach unten zeigend, einzubauen.
- Mindest erforderlicher Ausbauraum für einen Elementwechsel: 76,2 mm oder 3" für alle Längen. Das UR210 Gehäuse wird ohne Filterelement geliefert. Informationen zum Einbau bzw. Wechsel des Elements entnehmen Sie bitte Abschnitt 7.
- Werden Differenzdruckanzeigen eingebaut, ziehen Sie diese bei der Montage mit einem Drehmoment von 54 Nm (40 ft/lb) an. Alle optischen Anzeigen müssen gut sichtbar sein.

HINWEIS: Der UR210 Filterkopf wird mit einer Differenzdruckanzeigenbohrung geliefert, die mit einem Transportstopfen aus Kunststoff verschlossen ist. Wenn keine Differenzdruckanzeige bestellt wurde, muss der Transportstopfen entfernt und durch einen Blindstopfen des Typs 'B' (Teilenummer HA9000A104Z) ersetzt werden, der mit einem Drehmoment von 54 Nm angezogen werden muss.

HINWEIS: Vor Einbau eines Blindstopfens in diesen Anschluss sicherstellen, dass ein O-Ring der Größe 2-014 in die untere Ringnut einsetzt ist. Andernfalls entsteht ein kleiner Bypass, wodurch Verschmutzung auf die Reinsseite des Filters gelangen kann.

VORSICHT:

Nehmen Sie den Filter nur in Betrieb, wenn die Differenzdruckanzeigenbohrung verschlossen ist.

- Montieren Sie den Filter mit vier 5/16-18 Schrauben (Anschluss 'A') oder M8 x 1,25 Schrauben (Anschluss 'C') an den dafür vorgesehenen Gewindebohrungen am Filterkopf. Ziehen Sie die Schrauben mit einem Drehmoment von 14-19 Nm (10-14 ft/lb) an.
- Bei Gefahr von Rückfluss installieren Sie nach dem Filter ein Rückschlagventil.
- Installieren Sie das Filtergehäuse mit zusätzlichen Rohrleitungen und Ventilen, so dass im Fall von notwendigen Wartungsarbeiten an der Filtereinheit der gesamte Fluss um die Filtereinheit herumgeleitet werden kann, ohne dass das System abgeschaltet werden muss. Diese Baureihe ist nicht als Duplex- oder Service-Bypass-Filter erhältlich.

VORSICHT:

Durchfluss der Filterelemente in umgekehrter Richtung führt zur Beschädigung der Elemente.

HINWEIS: Zum Minimieren der externen Belastungen sind Rohrstützen in unmittelbarer Nähe zu den Anschlüssen zu installieren. Diese Filtereinheit darf nicht elektrisch vom Erdungssystem des Kunden isoliert werden. Die Filtereinheit muss durch Verbinden entweder des Eintritts- oder des Austrittsanschlusses mit dem Erdungssystem des Kunden geerdet werden.

- Schließen Sie die Rohrleitungen oder Schläuche an die Eintritts- und Austrittsanschlüsse an.

WARNUNG:

VERWENDEN SIE NUR VERBINDUNGEN ODER ADAPTER, DIE ZU DEN MITGELIEFERTEN ANSCHLÜSSEN PASSEN, DIE DURCH DIE TEILENUMMER AUF DEM TYPENSCHILD SPEZIFIZIERT ODER IN DEN DATENBLÄTTERN BESCHRIEBEN SIND. FALSCH E VERBINDUNGEN ODER ADAPTER KÖNNEN ZUM VERSAGEN DES FILTERGEHÄUSES ODER DES VERTEILERS FÜHREN. DRUCKVERLUST UND MÖGLICHE SYSTEMAUFFÄLLE ODER PERSONENSCHÄDEN SIND DIE FOLGE.

HINWEIS: Das Filtergehäuse kann optional lackiert werden. Die Beschichtung des Filtergehäuses bietet eine geeignete Grundschicht zum Lackieren. Kleben Sie die Differenzdruckanzeige und das Typenschild vor dem Lackieren des Gehäuses ab.

- Öffnen Sie die Entlüftungsschraube (5) am Deckel des Filters um eineinhalb Umdrehungen, und entlüften Sie das Gehäuse. Lassen Sie das System langsam anlaufen und befüllen Sie den Filter, bis die gesamte Luft durch die Entlüftungsschraube ausgetreten ist. Ziehen Sie dann die Entlüftungsschraube mit einem Drehmoment von 16 Nm an. Beaufschlagen Sie das System vollständig mit Druck und überprüfen Sie es auf Leckagen. Bei Undichtigkeiten gehen Sie nach Abschnitt 5 vor.

VORSICHT:

Fehler bei der Entlüftung des Filters erhöhen den Gehalt an gelöster Luft in der Systemflüssigkeit. Dies hat kürzere Ölstandzeiten zur Folge und kann weitere Probleme im System verursachen.

5 Routinewartung

- Pall** Filter erfordern normalerweise keinen besonderen Wartungsaufwand. Nur die Differenzdruckanzeige muss regelmäßig überprüft werden. Planen Sie einen Elementwechsel spätestens nach sechs Monaten ein und halten Sie eine ausreichende Menge Ersatzfilter auf Lager.
- Bei äußeren Leckagen O-Ring an der Leckstelle ersetzen. Falls die Leckage dadurch nicht beseitigt werden kann, überprüfen Sie die Dichtflächen auf Kratzer oder Risse und ersetzen Sie alle defekten Teile.
- Differenzdruckanzeigen sprechen an, wenn das Filterelement gewechselt werden muss oder die Viskosität der Flüssigkeit unter Kaltstartbedingungen hoch ist. Bei Kaltstartbedingungen siehe Abschnitte 6.2 und 6.3.
- Ein verschmutztes System kann ein neues Filterelement, vor allem ein Filterelement mit hocheffektiven **Pall**-Filtermedien, schnell verblocken. Daher sind anfangs möglicherweise ein oder zwei Elementwechsel erforderlich, bis sich die Elementstandzeit stabilisiert. Falls die Standzeit der Elemente zu kurz oder der Differenzdruck zu groß ist, müssen möglicherweise größere Filter eingesetzt werden; siehe Größen- und Auswahlkriterien im Produktdatenblatt oder wenden Sie sich an Ihre örtliche Pall-Vertretung.
- Sorgen Sie dafür, dass die Elementwechseletiketten sauber und unbeschädigt bleiben. Unleserliche Etiketten müssen sofort durch entsprechende neue Etiketten ersetzt werden.

6 Differenzdruckanzeigen

Für Abmessungen, Betriebsdaten, Teilenummern, Bestellinformationen und Spezifikationen wird auf die Produktliteratur verwiesen.

- Differenzdruckanzeigen sprechen an, wenn das Filterelement gewechselt werden muss oder die Viskosität der Flüssigkeit unter Kaltstartbedingungen hoch ist.
- Falls eine optische Anzeige aus Edelstahl eingebaut ist und während des Kaltstarts anspricht (roter Knopf 5 mm heraus), drücken Sie den Knopf nach Erreichen der normalen Betriebstemperatur wieder ein. Spricht dann die Anzeige nach der Rückstellung wieder an, wechseln Sie das Filterelement. Falls eine optische Anzeige aus Messing eingebaut ist und während des Kaltstarts anspricht (Anzeige wechselt auf rot), stellt sich die Anzeige automatisch zurück, wenn die Betriebstemperatur erreicht wird. Spricht die Anzeige nach dem Erreichen der normalen Betriebstemperatur immer noch an, wechseln Sie das Element.

HINWEIS: Die optische Anzeige vom Typ 'P' verfügt über eine Kaltstartunterdrückung sowie eine manuelle Rückstellung. Kein Signal unter 0° C; Signal über 29° C.

- Falls der elektrische Schalter unter Kaltstartbedingungen anspricht (d. h. wenn das rote Licht aufleuchtet), betreiben Sie das System weiter, bis das Signal (rotes Licht) erlischt, da dann die normale Betriebstemperatur erreicht ist. Falls das Warnsignal (rotes Licht) weiter leuchtet, oder falls es bei Betriebstemperatur auftritt, ersetzen Sie das Filterelement. Diese Eigenschaft kann in den Betriebsverfahren zum Anzeigen der „Aufwärmphase“ verwendet werden. Falls das Warnsignal (rotes Licht) weiter leuchtet oder falls es bei Betriebstemperatur auftritt, ersetzen Sie das Filterelement.
- Eine effektive Kontrolle der Filterstandzeit empfiehlt sich durch Verwendung von zwei Anzeigeleuchten (grünes Licht für funktionierenden Stromkreis, rotes Licht für verschmutztes Filterelement).

Die elektrischen Anschlüsse und Daten hängen von der ausgewählten Anzeige ab. Nachfolgend sind nur typische Werte aufgeführt:

110 V Wechselstrom =	4 A (induktiv), 4 A (resistiv)
220 V Wechselstrom =	4 A (induktiv), 4 A (resistiv)
28 V Gleichstrom =	3 A (induktiv), 5 A (resistiv)
48 V Gleichstrom =	1 A (induktiv), 1,5 A (resistiv)
125 V Gleichstrom =	0,25 A (induktiv), 0,5 A (resistiv)

Max. Einschaltstromstoß – 24 A

Nennbelastungen der Druckschalter (Mikroschalter) nach Underwriter's Laboratory:

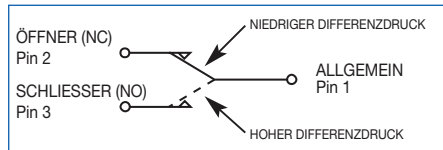
4 A resistiv bei 250 V Wechselstrom
0,25 A resistiv bei 220 V Gleichstrom
0,5 A resistiv bei 110 V Gleichstrom

Funktion des elektrischen Differenzdruckschalters:

Wenn der vorgegebene Differenzdruck überschritten wird, wird von Öffner (NC) - Allgemein auf Schließer (NO) - Allgemein umgeschaltet.

Wenn der Differenzdruck unter den vorgegebenen Wert abfällt, wird wieder von Schließer (NO) - Allgemein auf Öffner (NC) - Allgemein zurückgeschaltet.

Abbildung 1 - Verfahrensschema



Beachten Sie die Anschlussdetails der jeweiligen Anzeigenoptionen.

7 Filterelementwechsel

Während der Servicearbeiten muss die gesamte Außenoberfläche der Filtereinheit gereinigt werden, um Staubablagerungen zu entfernen.

Die Servicearbeiten müssen mit geeigneten Werkzeugen durchgeführt werden, die keine Gefahr darstellen. Im Fall einer potenziell explosiven Atmosphäre keine Wartungsmaßnahmen durchführen.

VORSICHT:

Die Filterelemente sollten nach Ansprechen der Anzeige oder in regelmäßigen Intervallen, spätestens jedoch nach sechs Monaten, ausgewechselt werden. Wenn die Filterelemente nicht rechtzeitig gewechselt werden, arbeitet der Filter im Bypassbetrieb.

Die Teilenummern geeigneter Ersatzelemente können der Service-Teilleiste (Abschnitt 9) entnommen werden. Die Elemente müssen folgendermaßen entfernt und ersetzt werden:

- 7.1 Schalten Sie die Anlage ab und machen Sie das System drucklos. Öffnen Sie die Entlüftungsschraube (5) am Filterkopf um eineinhalb Umdrehungen.

WARNUNG:

WENN DAS FILTERGEHÄUSE NICHT VOR DEM AUSWECHSELN DES FILTERELEMENTS DRUCKENTLASTET WIRD, KANN ES ZU EINER SCHLAGARTIGEN ENTSPANNUNG DER FLÜSSIGKEIT KOMMEN, DIE ZU SACH- UND PERSONENSCHÄDEN FÜHREN KANN.

- 7.2 Öffnen Sie die Ablassschraube (5) unten an der Filterglocke und lassen Sie die Flüssigkeit in einen geeigneten Behälter fließen. Ablassschraube wieder einschrauben und mit einem Drehmoment von 16 Nm (12 ft/lb) anziehen.
- Schrauben Sie die Filterglocke (2) (von unten gesehen gegen den Uhrzeigersinn) vom Filterkopf (1) ab.
- 7.3 Elementwechsel (Baureihe UE210): Entnehmen Sie das Filterelement (8), falls bereits eines eingebaut ist, und untersuchen Sie die innere Oberfläche (Element wird von innen nach außen durchströmt) sorgfältig auf sichtbare Verschmutzung. Im Normalfall ist keine Verschmutzung zu sehen, sichtbare Schmutzpartikel können aber schon ein erster Warnhinweis auf einen Schaden einer Systemkomponente sein. Entsorgen Sie das Filterelement einschließlich O-Ring. Das Filterelement darf NICHT GEREINIGT WERDEN. Jeder Versuch, das Filterelement zu reinigen, kann zur Zerstörung des Filtermediums führen, so dass verschmutzte Flüssigkeit auf die Reinseite gelangt.

WARNUNG:

**NIEMLS DAS ELEMENT REINIGEN ODER WIEDERVERWENDEN.
NUR ORIGINAL PALL-FILTERELEMENTE VERWENDEN. DIE VERWENDUNG ANDERER ELEMENTE KANN ZUM ERLÖSCHEN DER PRODUKTGARANTIE FÜHREN.**

- 7.4 Nehmen Sie das System AUF KEINEN FALL ohne Filterelement in Betrieb. Untersuchen Sie den O-Ring (3) zwischen der Filterglocke (2) und dem Filterkopf (1) auf Beschädigungen. Verwenden Sie ein Filterelement mit der auf der Endkappe des Elements angegebenen Teilenummer.
- 7.5 Benetzen Sie den O-Ring im Element mit sauberer Systemflüssigkeit. Setzen Sie das Element in das Stützrohr ein. Benetzen Sie den O-Ring zwischen Deckel und Filterkopf ebenfalls mit sauberer Systemflüssigkeit und bauen Sie das Gehäuse wieder zusammen. Dabei die Glocke bis zum Anschlag einschrauben und mit einem Drehmoment von 13-19 Nm (10-14 ft/lb) anziehen.
- 7.6 Entlüften Sie den Filter, indem Sie ihn füllen, bis die gesamte Luft durch die Entlüftungsschraube (7) entwichen ist. Dann die Entlüftungsschraube mit einem Drehmoment von 16 Nm (12 ft/lb) anziehen. Untersuchen Sie das System auf undichte Stellen, wie in Abschnitt 4.8 beschrieben.
- 7.7 Stellen Sie nach dem Elementwechsel sicher, DASS DIE DIFFERENZDRUCKANZEIGE ZURÜCKGESETZT WIRD. Optische Anzeigen aus Messing und elektrische Schalter aus Edelstahl stellen sich automatisch zurück. Prüfen Sie nach Erreichen der normalen Betriebstemperatur, ob der elektrische Schalter und/ oder der optische Anzeigenknopf/das Sichtzeichen nicht angesprochen hat. Falls die optische Anzeige durch Kaltstartbedingungen angesprochen hat, setzen Sie sie gemäß den Anleitungen in Abschnitt 6 wieder zurück.

8 Garantie, Haftungsbeschränkungen und Hilfsmaßnahmen

PALL SCHLIESST GÄWÄHRLEISTUNGEN FÜR DIE WIEDERVERKÄUFLICHKEIT UND DIE EIGNUNG DER PRODUKTE FÜR EINEN BESTIMMTEN ZWECK AUS. PALL ÜBERNIMMT KEINE VERTRAGLICHEN GÄWÄHRLEISTUNGEN ÜBER DIE HIER GENANNTEN GÄWÄHRLEISTUNGEN HINAUS.

Der Gewährleistungszeitraum beträgt zwölf Monate ab dem ursprünglichen Auslieferungsdatum vom Verkäufer oder dreitausend Betriebsstunden, je nachdem, welcher Fall zuerst eintritt („Garantiezeit“). Der Verkäufer haftet dafür, dass die vom Verkäufer hergestellten Produkte, wenn sie richtig installiert und gewartet sowie entsprechend den Auslegungsbedingungen, Spezifikationen und Konstruktionsmerkmalen betrieben werden, frei von Material- und Herstellungsfehlern sind. Erläuternd wird darauf hingewiesen, dass der Verkäufer unter anderem auch nicht für die Standzeit der Filterelemente haftet, da sie außerhalb der Einflussmöglichkeiten des Verkäufers liegt und von den Betriebsbedingungen des Systems abhängig ist, in dem die Elemente installiert werden.

Die Verantwortung des Verkäufers unter den Garantiebedingungen ist darauf beschränkt, dass er die Produkte, die während der Garantiezeit einen Fehler aufweisen, nach eigenem Ermessen ersetzt (FOB ursprüngliche Lieferanschrift), repariert oder dem Käufer den Wert des Produkts erstattet. Der Käufer hat den Verkäufer über seine Garantiesprüche sofort schriftlich zu benachrichtigen und dem Verkäufer die Möglichkeit einzuräumen, das betroffene Produkt zu inspizieren und zu testen. Der Käufer hat dem Verkäufer eine Kopie der Originalrechnung zuzuschicken und das Produkt mit Vorauszahlung aller Transportkosten an die Fabrik des Verkäufers oder an eine andere vom Verkäufer bestimmte Stelle zu versenden. Alle Ansprüche müssen umfassende Informationen über den Einsatz des Produkts, einschließlich gegebenenfalls der Betriebsbedingungen im System beinhalten.

Der Verkäufer haftet nicht für Defekte in einem Produkt, das außerhalb der Fabrik des Verkäufers - mit Ausnahme von Veränderungen durch den Verkäufer oder einen vom Verkäufer autorisierten Vertragshändler - geändert wurde, und im letzteren Fall auch nur dann, wenn das Produkt den schriftlichen Anweisungen des Verkäufers entsprechend vom Vertragshändler zusammengesetzt wurde. Der Verkäufer haftet auch nicht im Falle von unsachgemäßer und missbräuchlicher Verwendung, unsachgemäßer Handhabung bei Installation, Anwendung, Bedienung, Wartung und Reparatur sowie bei Veränderungen, Unfällen oder fahrlässiger Benutzung, Lagerung, Transport oder Handhabung.

Unter keinen Umständen haftet der Verkäufer für zufällige Schäden, Folgeschäden oder andere Schäden, unabhängig davon, ob sie in Zusammenhang mit der Herstellung, Verpackung, Lieferung, Lagerung, Benutzung, Missbrauch oder Nichtbenutzung seiner Produkte oder aus einer beliebigen anderen Ursache eingetreten sind.

9 Teileliste

Pos.	Beschreibung	Anzahl
1	Filterkopf	1
2	Glocke	1
3	O-Ring (zwischen Filterkopf und -glocke)	1
4	Differenzdruckanzeige oder Blindstopfen (nicht dargestellt)	1
5	Entlüftungs-/Ablassschraube 2 UR210A (SAE-Anschlüsse) UR210C (BSPP-Anschlüsse)	
6	Filterelement	1
7	Adapter	1

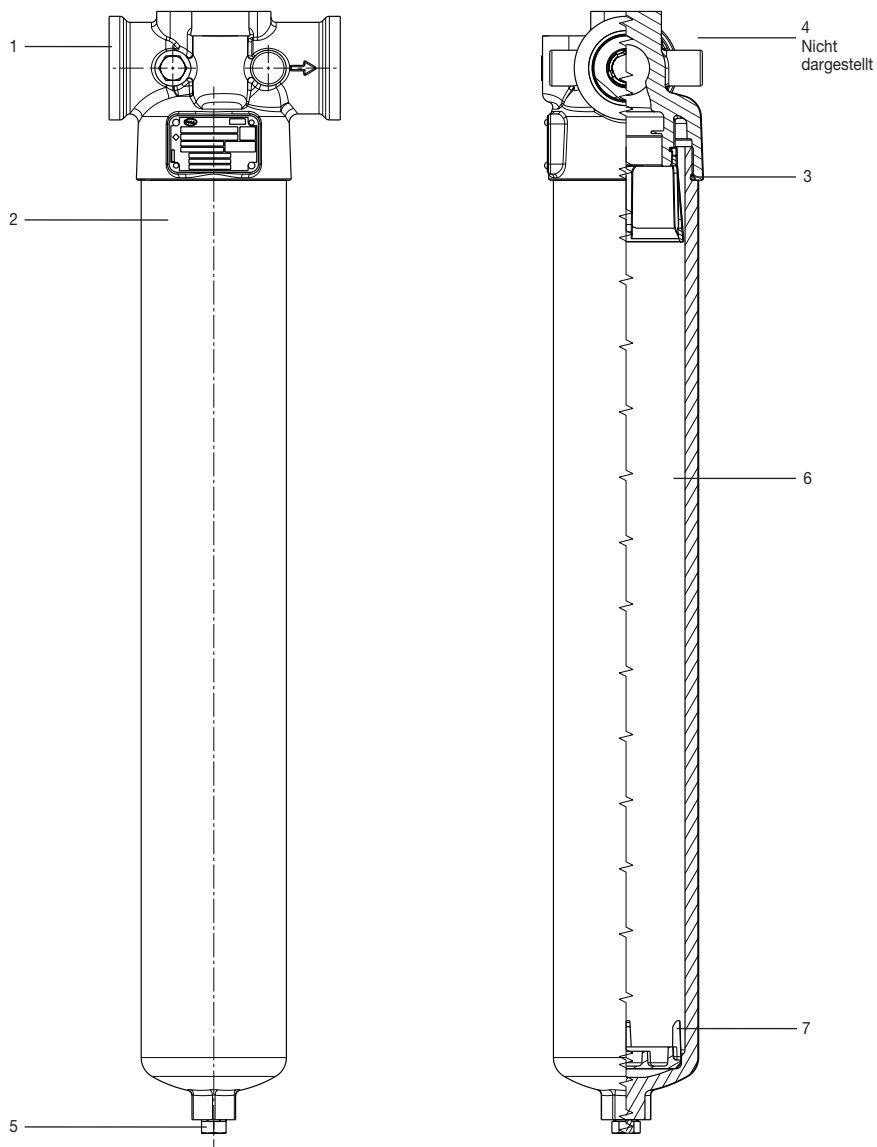
UR210

RÜCKLAUFFILTER

Baureihe UR210

Wartungsanleitung

Abbildung 2



UR210

RÜCKLAUFFILTER

Baureihe UR210
Wartungsanleitung

DEUTSCH



Pall Corporation

25 Harbor Park Drive
Port Washington, NY 11050
+1 516 484 3600 Telefon
+1 800 289 7255 gebührenfrei (USA)

Portsmouth - GB
+44 (0)23 9233 8000 Telefon
+44 (0)23 9233 8811 Fax
www.pall.com/contact



**Better Lives.
Better Planet.SM**

Besuchen Sie uns im Internet unter www.pall.com

Pall Corporation besitzt Niederlassungen und Werke weltweit. Pall-Vertretungen in Ihrer Region finden Sie unter www.pall.com/contact.

Aufgrund der technischen Entwicklungen der hier beschriebenen Produkte, Systeme und/oder Dienstleistungen können die Daten und Verfahren ohne Vorankündigung jederzeit geändert werden. Bitte sprechen Sie Ihre Pall-Vertretung an oder sehen Sie unter www.pall.com nach, ob diese Informationen noch aktuell sind.

© Copyright 2019, Pall Corporation. Pall, , und Athalon sind Marken der Pall Corporation.

® bezeichnet eine in den USA eingetragene Marke. Better Lives, Better Planet, und Filtration, Separation, Solution.SM sind Dienstleistungsmarken von Pall Corporation.



Pall Corporation

UR210

Series UR210



ES Instrucciones de mantenimiento de UR210

ESPAÑOL

Instrucciones de mantenimiento

M&ESIUR210ESc

1 Especificaciones

Materiales de la carcasa:

Cabeza y Bowl: aleación de aluminio, acabado exterior pintado

Presión máxima de funcionamiento:

41 bar (600 psi)

Presión de prueba:

62 bar (900 psi)

Presión mínima de rotura:

165 bar (2400 psi)

Colapso del elemento:

Elemento UE210 10 bard (150 psid) diferencial mínimo

Rango de temperatura de funcionamiento:

-29° C a 120° C (-20° F a 250° F) con sellos de fluorocarbono para fluidos en base petróleo y sintéticos específicos
60° C (140° F) máximo en HWC, emulsión agua-aceite o agua-glicol.

Opciones de ajuste de la válvula de bypass:

1,7 ± 0,2 bard (25 ± 3 psid) presión de apertura

4,5 ± 0,5 bard (65 ± 7 psid) presión de apertura

PRECAUCIÓN:

El flujo máximo no debe superar 1,3 veces el flujo normal.

Juntas:

Fluorocarbono

El usuario deberá verificar las condiciones reales de funcionamiento a fin de garantizar que el elemento, la carcasa y todos las juntas sean compatibles con el fluido y la aplicación, y que cumplan con los códigos de seguridad locales. Comuníquese con Pall o un distribuidor autorizado si necesita más información.

2 Recepción del equipo

La carcasa filtrante y cualquier equipo opcional se embalan individualmente para que el cliente las monte. Desembale con cuidado y asegúrese de que los artículos opcionales no se pierdan en el embalaje que se va a desechar.

3 Fuentes generales de información

- Para las dimensiones, los parámetros operativos, el número de pieza del montaje/elemento, la información de pedido, las notas, los datos de rendimiento y las especificaciones, consulte la hoja de datos.
- Este equipo se ha evaluado de acuerdo con las directrices establecidas en la Directiva Europea de Presión 97/23/CE y se ha clasificado dentro de las buenas prácticas de ingeniería S.E.P. Declaramos que el equipo cumple con los requisitos de la sección 3 del artículo 3, por tanto cumpliendo con los requerimientos de la directiva. Según las disposiciones de esta directiva, el conjunto del filtro solo es adecuado para uso con fluidos del grupo 2.
- Cuando sea previsible la superación de los límites permitidos bajo determinadas condiciones especiales, como incendios externos, el cliente deberá instalar los dispositivos de protección adecuados en el sistema de conexión del fluido.

4 Instalación de la carcasa

- El filtro se puede instalar en cualquier posición, pero para facilitar el mantenimiento, se recomienda que se instale verticalmente con el bowl apuntando hacia abajo.
- El espacio mínimo necesario para la eliminación del elemento es: 76,2 mm o 3 pulg. para todas las longitudes. La carcasa UR210 se suministra sin elemento filtrante. Para los procedimientos de instalación y mantenimiento de elementos, consulte la Sección 7.
- Los dispositivos de presión diferencial roscados, cuando estén instalados, deben apretarse con torque a 40 lbf·ft o 54 Nm. Todos los indicadores visuales deben ser claramente visibles.

NOTA: La cabeza UR210 se suministra con un puerto de dispositivo de aviso de presión diferencial mecanizado, equipado con un tapón de envío de plástico. Si no se solicita un dispositivo de aviso de presión diferencial, el tapón de envío debe retirarse y reemplazarse con un tapón obturador tipo 'B' (HA9000-A104Z) y apretarse con un torque de 40 lbf·ft o 54 Nm.

NOTA: Nunca coloque el tapón de puerto en este puerto sin instalar primero la junta tórica de -014 de tamaño uniforme en la ranura inferior de la junta tórica; de lo contrario, se producirá un pequeño flujo de derivación, lo que permitirá el paso de la contaminación aguas abajo del elemento filtrante.

PRECAUCIÓN:

No utilice el filtro a menos que el puerto del dispositivo de aviso de presión diferencial esté sellado.

- Monte el conjunto del filtro en su posición utilizando cuatro pernos 5/16-18 (puertos 'A') o M8 x 1,25 (puertos 'C') en los orificios de las almohadillas de montaje de la cabeza. Apriete los pernos a 10-14 ft/lb o 14-19 Nm.
- Si existe la posibilidad de un flujo inverso use una válvula de retención aguas abajo del filtro.
- Instale la carcasa del filtro utilizando tuberías/válvulas adicionales para permitir un bypass completo del conjunto del filtro si es necesario el mantenimiento del filtro sin parar el sistema. Esta serie no está disponible en una configuración de dúplex o bypass de servicio.

PRECAUCIÓN:

El flujo inverso a través del elemento filtrante causará daños.

NOTA: Los soportes de tubería deben proporcionarse lo más cerca posible de los puertos de las conexiones para minimizar las cargas externas. Este conjunto filtrante no debe estar aislado electrónicamente del sistema de puesta a tierra del usuario. Este conjunto filtrante debe conectarse a tierra conectando el sistema de puesta a tierra del usuario a una de las conexiones de entrada/salida.

- Conecte las líneas o mangueras a los puertos de entrada y salida de la carcasa.

ADVERTENCIA:

UTILICE LAS CONEXIONES O ADAPTADORES COMPATIBLES CON LOS PUERTOS INDICADOS EN LAS REFERENCIAS DE LA PLACA DE CARACTERÍSTICAS Y DESCRITOS EN LAS HOJAS DE DATOS: EL EMPLEO DE CONEXIONES Y ADAPTADORES INCORRECTOS PUEDE PROVOCAR FALLOS EN LA CARCASA DEL FILTRO O EN EL COLECTOR CUYO RESULTADO PODRÍA SER UNA PÉRDIDA DE PRESIÓN, UN FALLO GENERAL DEL SISTEMA O LESIONES PERSONALES.

NOTA: La pintura de la carcasa del filtro es opcional. El revestimiento de la carcasa del filtro es una base de pintura adecuada. Cubra el dispositivo de aviso de presión diferencial y la placa de identificación si se va a pintar la carcasa.

- 4.8 Purgue el filtro abriendo el tapón de ventilación (5) en la parte superior del filtro una vuelta y media. Arranque el sistema y llene el filtro hasta que todo el aire salga a través del tapón, luego apriete el tapón a 12 ftlb o 16 Nm. Presurice el sistema completamente y revise si hay fugas; Si se producen fugas, consulte la sección 5.

PRECAUCIÓN:

Si no se purga adecuadamente la carcasa del filtro, aumentará el contenido de aire disuelto en el fluido del sistema, lo que acortará la vida útil del fluido y puede causar otros problemas en el sistema.

5 Mantenimiento de rutina

- 5.1 Los filtros Pall normalmente no necesitan atención especial, excepto para el control periódico del dispositivo de aviso de presión diferencial. Programe el reemplazo del elemento de filtro cada seis meses o antes, y tenga disponible un amplio suministro de elementos de repuesto.
- 5.2 Si se observa una fuga externa, reemplace la junta tórica en la fuga. Si la fuga persiste, revise las superficies de sellado en busca de rasguños o grietas; Reemplace cualquier pieza defectuosa.
- 5.3 Los dispositivos de presión diferencial se activan cuando el elemento necesita cambiarse o debido a la alta viscosidad del fluido en condiciones de "arranque en frío". Si existen condiciones de "arranque en frío", consulte las secciones 6.2 y 6.3.
- 5.4 Un sistema con suciedad puede taponar rápidamente un elemento filtrante nuevo, especialmente con medios Pall de alta eficacia. Puede ser necesario realizar uno o dos cambios de elemento antes de estabilizarse la vida útil del mismo. Si la vida útil del elemento es muy corta o si la presión diferencial es excesiva, es posible que el filtro sea demasiado pequeño; véase el apartado sobre tamaños y selección en la documentación del producto o consultar al representante local de Pall.
- 5.5 Deberá verificarse que las etiquetas de sustitución del elemento permanezcan limpias e intactas. Sustituya las etiquetas ilegibles por etiquetas nuevas apropiadas.

6 Dispositivos de presión diferencial

Deberá consultarse la documentación del producto para obtener más información acerca de dimensiones, parámetros de funcionamiento, referencias, realización de pedidos y especificaciones.

- 6.1 Los dispositivos de presión diferencial se activan cuando el elemento necesita cambiarse o debido a la alta viscosidad del fluido en condiciones de "arranque en frío".
- 6.2 Si el indicador visual de acero inoxidable está instalado y se activa durante el "arranque en frío" (el botón rojo se extiende 5 mm, 3/16"), reinicie presionando el botón cuando se alcance la temperatura de funcionamiento normal. Si el indicador se activa después de reiniciar, reemplace el elemento. Si el indicador visual de latón está instalado y se activa durante el "arranque en frío" (el indicador interior cambia a rojo), se reiniciará automáticamente cuando se alcance la temperatura normal de funcionamiento. Si el indicador sigue funcionando después de alcanzar la temperatura normal de funcionamiento, reemplace el elemento.

NOTA: El indicador visual de la opción "P" tiene bloqueo térmico y reinicio manual. No hay señal por debajo de 0° C (32° F), pero si señal por encima de 29° C (80° F).

- 6.3 Si se activa el interruptor eléctrico (es decir, se enciende la luz roja) durante el arranque en frío, siga operando hasta que la señal (luz roja) se apague cuando el sistema se calienta hasta alcanzar la temperatura normal de funcionamiento. Esta función se puede usar como una indicación de 'calentamiento' durante el funcionamiento. Si la señal de advertencia permanece encendida o aparece cuando el sistema está caliente, reemplace el elemento filtrante.
- 6.4 Se recomienda utilizar el indicador positivo (luz verde) y el indicador negativo (luz roja para elemento sucio) a fin de controlar de forma eficaz la vida útil del elemento filtrante.

Las conexiones eléctricas y las características nominales dependen del indicador elegido. Los valores típicos se muestran a continuación:

110 VAC	=	4A (inductivo), 4A (resistivo)
220 VAC	=	4A (inductivo), 4A (resistivo)
28 VDC	=	3A (inductivo), 5A (resistivo)
48 VDC	=	1A (inductivo), 1,5A (resistivo)
125 VDC	=	0,25A (inductivo), 0,5A (resistivo)

Irrupción máxima: 24 amperios.

Listado de valores nominales para las opciones del interruptor de presión (Microswitch) de Underwriter's lab. Inc.:

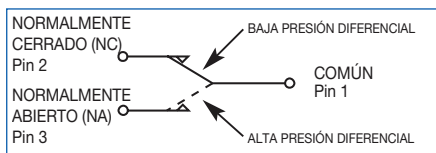
4 amperios a 250 VAC
0,25 amperios resistivo a 220 VCC
0,50 amperios resistivo a 110 VCC

Funcionamiento del interruptor de presión diferencial eléctrico:

Si se supera la presión diferencial predefinida, el interruptor de continuidad cambia de Normalmente Cerrado (NC) - Común a Normalmente Abierto (NO) - Común.

Cuando la presión diferencial disminuye por debajo del valor preestablecido, la continuidad vuelve de Normalmente abierto (NO) - Común a Normalmente cerrado (NC) - Común.

Figura 1: diagrama del circuito del interruptor



Consulte las opciones de indicadores individuales para detalles de conexión.

7 Mantenimiento del elemento filtrante

Durante el mantenimiento, las superficies externas del conjunto del filtro deben limpiarse para eliminar los depósitos de polvo. El mantenimiento debe realizarse utilizando herramientas adecuadas que no presenten un peligro. El mantenimiento no debe realizarse cuando exista una atmósfera potencialmente explosiva.

PRECAUCIÓN:

Los elementos filtrante deben reemplazarse por indicación o en intervalos específicos, seis meses como máximo. Si no se cambia el elemento filtrante se podría activar en el interior de la carcasa el modo bypass.

Consulte la Lista de piezas de repuesto (Sección 9) para obtener los números de artículo para la serie de elementos de reemplazo aplicables. Retire y reemplace el elemento de la siguiente manera:

- 7.1 Pare y despresurice el sistema. Gire el tapón de ventilación (5) en la parte superior de la carcasa del filtro una vuelta y media.

ADVERTENCIA:

SI NO SE LIBERA LA PRESIÓN DEL FILTRO ANTES DE LLEVAR A CABO EL MANTENIMIENTO DEL ELEMENTO, SE PODRÍA PROVOCAR UNA PÉRDIDA EXPLOSIVA DE FLUIDO, DAÑOS EN EL EQUIPO Y LESIONES PERSONALES.

- 7.2 Abra el tapón de drenaje (5) en la parte inferior del bowl y drene el líquido del bowl en un recipiente adecuado para desechos. Reemplace y apriete el tapón de drenaje a 12 ft/lb o 16 Nm.
Desatornille y retire el bowl(2) de la cabeza (1) en sentido contrario a las agujas del reloj cuando se ve desde abajo.
- 7.3 Reemplazo del elemento (serie UE210): retire el elemento filtrante (8), si ya está instalado, e inspeccione cuidadosamente la superficie interior (el flujo a través del elemento es de dentro hacia fuera) para detectar contaminación visible. Normalmente no debe aparecer suciedad, pero la suciedad o las partículas visibles pueden ser una advertencia temprana del fallo de los componentes del sistema. Deseche el elemento filtrante y su junta tórica. El elemento filtrante NO SE PUEDE LIMPIAR. Cualquier intento de limpiar el elemento filtrante puede causar la degradación del medio filtrante y permitir que el fluido contaminado pase a través del elemento filtrante.

ADVERTENCIA:

NO INTENTE LIMPIAR O REUTILIZAR EL ELEMENTO. UTILICE SOLAMENTE ELEMENTOS FILTRANTES DE REEMPLAZO ORIGINALES. EL USO DE ELEMENTOS SUSTITUTOS PUEDE INVALIDAR LA GARANTÍA DEL PRODUCTO.

- 7.4 NO arranque el sistema sin un elemento filtrante instalado. Compruebe que la junta tórica (3) entre el bowl(2) y la cabeza (1) no esté dañada. Use el filtro de reemplazo como lo indica el número de pieza en el extremo del elemento.
- 7.5 Lubrique la junta tórica del elemento con fluido limpio del sistema. Reinstar el elemento en el alojamiento de la carcasa. Lubrique ligeramente la junta tórica entre el bowl y la cabeza con fluido limpio del sistema y vuelva a montar la carcasa hasta el tope de la rosca. Apriete a 10-14LBFT (13-19 Nm).
- 7.6 Purgue el filtro llenando el filtro hasta que todo el aire pase por el tapón de ventilación (7), luego apriete el tapón de ventilación a 12 lb/ft o 16 Nm. Compruebe si hay fugas según la sección 4.8.
- 7.7 Después de cambiar el elemento, ASEGÚRESE DE QUE EL DISPOSITIVO DE PRESIÓN DIFERENCIAL SE REINICIE. Los interruptores de latón, visuales y eléctricos y los de acero inoxidable eléctricos se reinician automáticamente. Cuando el sistema alcanza la temperatura normal de funcionamiento, verifique que el interruptor eléctrico y/o el botón/indicador de advertencia visual no se hayan activado. Si el indicador visual se activa debido a una condición de arranque en frío, reinicie nuevamente según la sección 6.

8 Garantía, limitación de responsabilidad y recursos

NO SE GARANTIZA LA COMERCIABILIDAD O LA ADAPTACIÓN A FINES ESPECÍFICOS DE NINGUNO DE LOS PRODUCTOS, NI EXISTEN OTRAS GARANTÍAS EXPLÍCITAS O IMPLÍCITAS, A EXCEPCIÓN DE LAS AQUÍ DESCRITAS.

Durante un período de doce meses, a partir de la fecha de entrega por parte del Vendedor o tres mil horas de uso, situación que ocurra primero ("Período de la garantía"), el Vendedor garantiza que los productos fabricados por él mismo no presentarán defectos de material ni de mano de obra, siempre que se hayan instalado y mantenido correctamente, y se utilicen según los valores nominales, especificaciones y condiciones de diseño correspondientes. Con el objetivo de explicar y no de limitar, el Vendedor no garantiza la vida útil del elemento filtrante, ya que esto sobrepasa el control del Vendedor y depende de las condiciones del sistema en el que se instala el filtro.

La responsabilidad del Vendedor ante cualquier garantía se limitará exclusivamente (a decisión del Vendedor) a la sustitución del producto FOB desde el punto de envío original, o la reparación o la concesión de crédito por los productos que presenten defectos durante el período de garantía. El comprador deberá comunicar cualquier reclamación inmediatamente y por escrito al Vendedor y permitir al Vendedor que inspeccione y compruebe el producto que se estima defectuoso. El comprador deberá facilitar al Vendedor una copia de la factura original del producto y correr con todos los gastos relacionados con los portes destinados a devolver cualquier producto a la fábrica del Vendedor u otro destino designado por el mismo. Todas las reclamaciones deberán ir acompañadas de una descripción detallada que incluirá las condiciones de funcionamiento del sistema si es necesario.

El Vendedor no se hará responsable de ningún producto manipulado fuera de la fábrica del Vendedor, a menos que se haya hecho bajo la responsabilidad del Vendedor o de sus distribuidores autorizados y, en este último caso, sólo se responsabilizará de los productos montados por el distribuidor de acuerdo con las instrucciones escritas del Vendedor. El Vendedor tampoco se hará responsable de productos dañados por mal uso, abuso, instalación, aplicación, operación, mantenimiento o reparación incorrecta, alteración, accidente o uso, almacenamiento, transporte o manipulación negligente. En ningún caso, el Vendedor se hará responsable de daños, directos, indirectos o de cualquier otra índole, por o en relación con la fabricación, el embalaje, la entrega, el almacenamiento, el uso, el mal uso o la no utilización de cualquiera de sus productos o por cualquier cualquiera otra causa.

9 Lista de Piezas

Lista	Descripción	Cantidad
1	Cabeza de filtro	1
2	Bowl	1
3	Junta tórica (cabeza-a-bowl)	1
4	Indicador o kit para taponar la conexión del puerto del indicador (no mostrado)	1
5	Tapón de purga/drenaje UR219°A (Puertos SAE) UR219°C (Puertos BSP)	2
6	Elemento filtrante	1
7	Adaptador del elemento	1

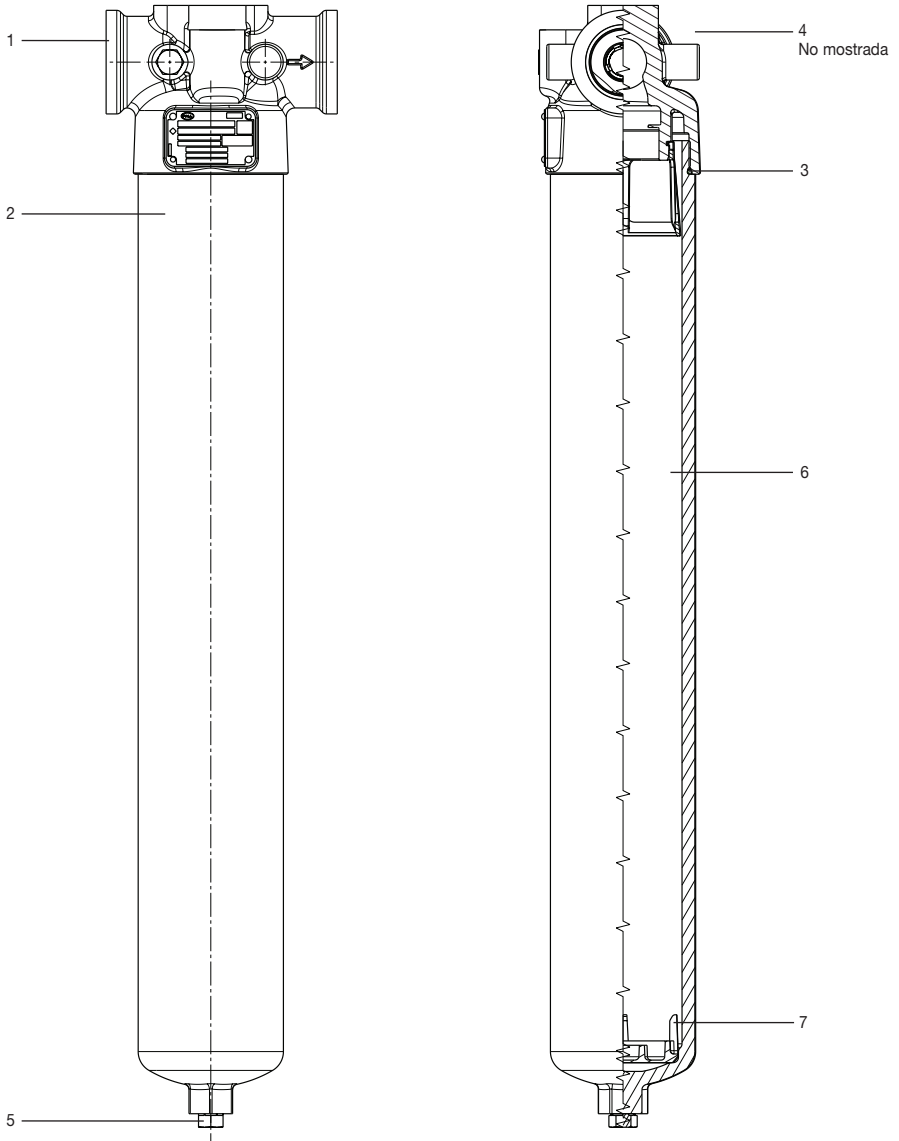
UR210

FILTROS DE LÍNEA DE RETORNO

Series UR210

instrucciones **de mantenimiento**

Figura 2



UR210

FILTROS DE LÍNEA DE RETORNO

Series UR210

instrucciones **de mantenimiento**

UR210

FILTROS DE LÍNEA DE RETORNO

Series UR210

instrucciones **de mantenimiento**



Pall Corporation

25 Harbor Park Drive
Port Washington, NY 11050 (EE. UU.)
Teléfono: +1 516 484 3600
Teléfono gratuito +1 800 289 7255
en EE. UU.:

Portsmouth (Reino Unido)
Teléfono: +44 (0)23 9233 8000
Fax: +44 (0)23 9233 8811
www.pall.com/contact



**Better Lives.
Better Planet.SM**

Visite nuestro sitio web: www.pall.com

Pall Corporation tiene oficinas y plantas en todo el mundo. Si desea obtener más información acerca de los representantes de Pall disponibles en su zona, visite www.pall.com/contact.

Debido a los desarrollos tecnológicos relacionados con los productos, sistemas y/o servicios descritos en este documento, los datos y procedimientos se encuentran sujetos a cambios sin notificación previa. Consulte a su representante de Pall o visite www.pall.com para verificar la validez de esta información.

© Copyright 2019, Pall Corporation. Pall y  son marcas comerciales de Pall Corporation.

® indica una marca comercial registrada en EE. UU. Better Lives, Better Planet y Filtration, Separation, Solution.SM son marcas de servicio de Pall Corporation.



Pall Corporation

UR210

Série UR210



FR Instructions de service UR210

FRANÇAIS

instructions
de service

M&ESIUR210FRc

Filtration. Separation. Solution.SM

1 Spécifications

Matériaux du corps :

Tête et cuve : alliage d'aluminium, finition externe peinte

Pression de service maximale :

41 bar (600 psi)

Pression d'épreuve :

62 bar (900 psi)

Pression d'éclatement minimale :

165 bar (2 400 psi)

écrasement de l'élément :

Différence minimum élément UE210 10 bar (150 psid)

Plage de température de fonctionnement :

-29° C à 120° C (-20° F à 250° F) avec joints en fluorocarbonate pour fluides à base de pétrole et fluides synthétiques spécifiés 60° C (140° F) maximum dans des fluides à forte teneur en eau, des émulsions eau-huile ou mélanges eau-glycol

Options de tarage du clapet By-pass :

Pression d'ouverture 1,7 ± 0,2 bar (25 ± 3 psid)

Pression d'ouverture 4,5 ± 0,5 bar (65 ± 7 psid)

PRÉCAUTION :

La vitesse d'écoulement maximum ne doit pas être 1,3 fois supérieure à l'écoulement normal.

Joints :

Fluorocarbonate

L'état de fonctionnement réel doit être vérifié par l'utilisateur pour s'assurer que l'élément, le corps de filtre et tous les joints sont compatibles avec le fluide et l'application, et respectent les normes locales de sécurité. Veuillez contacter Pall ou un distributeur agréé si vous avez besoin de renseignements supplémentaires.

2 Réception du matériel

Le corps de filtre et tous les matériels optionnels sont emballés individuellement pour le montage par le client. Déballer avec précaution et vérifiez que les éléments en option ne sont pas égarés avec les emballages à mettre au rebut.

3 Sources d'information générales

- 1 Pour les dimensions, paramètres d'exploitation, numéro de pièce d'ensemble/d'élément, informations de commande, notes, données de performance et spécifications, consultez la fiche technique.
- 2 Le matériel a été évalué conformément aux lignes directrices énoncées dans la Directive européenne 97/23/CE relative aux équipements sous pression et a été classé selon les règles de l'art en la matière. Nous déclarons par la présente que le matériel est conforme aux exigences de l'article 3, section 3, satisfaisant ainsi aux exigences de la directive. En vertu des dispositions de la présente directive, l'ensemble de filtre convient à une utilisation avec des fluides de groupe 2 uniquement.
- 3.3 Dans des conditions de fonctionnement raisonnablement prévisibles, notamment en cas d'incendie externe, les limites autorisées peuvent être dépassées ; des dispositifs de sécurité appropriés doivent être installés dans le système de connexion de fluide.

4 Installation du corps

- 4.1 Le filtre peut être installé dans toute position, mais afin de faciliter l'entretien, il est recommandé de le positionner à la verticale, la cuve dirigée vers le bas.
- 4.2 Le dégagement minimal requis pour le retrait des éléments est de : 76,2 mm ou de 3" pour toutes les longueurs. Le corps UR210 est fourni sans élément filtrant. Pour les procédures relatives à l'installation et à l'entretien des éléments, consultez la Section 7.
- 4.3 Lorsqu'ils sont installés, les dispositifs de pression différentielle doivent être serrés selon un couple de 40 lb-pi ou de 54 Nm. Tous les indicateurs visuels doivent être clairement visibles.

NOTE : la tête UR210 est fournie avec un port de dispositif d'avertissement de la pression différentielle usiné, doté d'un bouchon d'expédition en plastique. Si aucun dispositif d'avertissement de la pression différentielle n'est commandé, le bouchon de transport doit être retiré et remplacé par un bouchon obturateur de type « B » (HA9000-A104Z) et serré selon un couple de 40 lb-pi ou 54 Nm.

NOTE : ne placez jamais le bouchon dans ce port sans avoir installé au préalable un joint torique -014 de taille uniforme dans la rainure de joint torique inférieure, car dans le cas contraire, cela entraînera un débit de fluide par le bypass, conduisant ainsi la présence de contaminants en aval de l'élément filtrant.

PRÉCAUTION :

N'utilisez jamais le filtre si le port de dispositif d'avertissement n'est pas obturé.

- 4.4 Installez l'ensemble de filtre en position à l'aide de quatre boulons 5/16-18 (ports « A ») ou M8 x 1,25 (ports « C ») placés dans les trous situés sur les patins de montage de la tête. Serrez les boulons à un couple de 10-14 lb-pi ou 14-19 Nm.
- 4.5 Utilisez un clapet anti-retour en aval du filtre en cas de risque de flux inverse.
- 4.6 Installez le corps de filtre en utilisant une tuyauterie/ robinetterie afin de permettre une dérivation complète de l'ensemble de filtre si une maintenance du filtre est nécessaire sans devoir arrêter le système. Cette série n'est pas disponible dans une configuration duplex ou de dérivation de service.

PRÉCAUTION :

Un flux inverse dans l'élément filtrant provoquera des dommages.

NOTE : des supports de tuyauterie doivent être prévus le plus près possible des connexions de ports afin de réduire au minimum les charges externes. Cet ensemble de filtre ne doit pas être électriquement isolé du système de mise à la terre des utilisateurs. Il doit être mis à la terre en branchant le système utilisateurs sur l'une des connexions d'entrée/de sortie.

- 4.7 Branchez les conduites ou les tuyaux sur les ports d'entrée et de sortie du corps.

AVERTISSEMENT :

UTILISEZ DES RACCORDS OU DES ADAPTATEURS COMPATIBLES AVEC LES PORTS FOURNIS TELS QU'INDIQUÉS PAR LE NUMÉRO DE PIÈCE FIGURANT SUR LA PLAQUE SIGNALÉTIQUE ET NOTÉ DANS LES FICHES TECHNIQUES : L'UTILISATION DE RACCORDS OU D'ADAPTATEURS INCORRECTS PEUT PROVOQUER UNE DÉFAILLANCE DU CORPS DE FILTRE OU DU COLLECTEUR, ENTRAÎNANT AINSI UNE PERTE DE PRESSION, UNE DÉFAILLANCE POSSIBLE DU SYSTÈME OU DES BLESSURES.

NOTE : la peinture du corps de filtre est facultative. Le revêtement situé sur le corps de filtre est une base pour peinture adaptée. Recouvrez le dispositif d'avertissement de pression différentielle et la plaque signalétique en cas de peinture du corps.

- 4.8 Purgez le filtre en ouvrant le bouchon de purge (5) situé au sommet du filtre d'un tour et demi. Bougez lentement le système et remplissez le filtre jusqu'à ce que la totalité de l'air s'échappe par le bouchon, puis serrez le bouchon à un couple de 12 lb-pi ou 16 Nm. Pressurisez totalement le système, puis vérifiez-le afin de détecter d'éventuelles fuites ; en cas de fuites, consultez la section 5.

PRÉCAUTION :

Une incapacité à purger correctement le corps de filtre augmentera la teneur en air dissous du fluide du système, ce qui réduira la durée de vie du fluide et pourra provoquer d'autres problèmes dans le système.

5 Maintenance de routine

- 5.1 **Les filtres Pall** n'exigent normalement aucune attention spéciale à l'exception de la surveillance périodique du dispositif d'avertissement de la pression différentielle. Prévoyez un remplacement de l'élément filtrant tous les six mois au maximum et disposez d'un nombre de pièces de rechange suffisant.
- 5.2 Si une fuite externe est détectée, remplacez le joint torique au niveau de la fuite. Si la fuite persiste, vérifiez les surfaces d'étanchéité afin de détecter d'éventuelles rayures ou fissures ; remplacez toute pièce défectueuse.
- 5.3 Les dispositifs de pression différentielle se déclenchent lorsque l'élément doit être remplacé ou en raison d'une viscosité élevée des fluides en conditions de « démarrage à froid ». Si des conditions de « démarrage à froid » existent, consultez les Sections 6.2 et 6.3.
- 5.4 Un système encrassé peut rapidement obstruer un élément filtrant neuf, notamment avec des milieux filtrants haute efficacité **Pall**. Un ou deux changements d'élément initiaux peuvent être nécessaires pour stabiliser la durée de vie de l'élément. Si celle-ci est courte ou si la pression différentielle est excessive, il est possible que le filtre soit sous-dimensionné ; consultez la section relative aux dimensions et à la sélection de la documentation produit ou contactez votre représentant local Pall.
- 5.5 Veillez à ce que les étiquettes de remplacement de l'élément soient propres et non endommagées. Remplacez les étiquettes illisibles par de nouvelles adaptées.

6 Dispositifs de pression différentielle

Il convient de faire référence à la documentation produit pour les dimensions, paramètres d'exploitation, numéros de pièces, informations de commande et spécifications.

- 6.1 Les dispositifs de pression différentielle se déclenchent lorsque l'élément doit être remplacé ou en raison d'une viscosité élevée des fluides en conditions de « démarrage à froid ».
- 6.2 Si un indicateur visuel en acier inoxydable est installé et se déclenche lors d'un « démarrage à froid » (un bouton rouge s'étendant à 5 mm, 3/16"), réinitialisez-le en appuyant sur le bouton une fois la température de fonctionnement normale atteinte. Si l'indicateur se déclenche après la réinitialisation, remplacez l'élément. Si un indicateur visuel en laiton est installé et se déclenche pendant un « démarrage à froid » (le drapeau situé à l'intérieur de l'indicateur devient rouge), il se

réinitialisera automatiquement une fois la température de fonctionnement normale atteinte. Si l'indicateur est toujours déclenché une fois cette température atteinte, remplacez l'élément.

NOTE : l'indicateur visuel « P » en option dispose d'un verrouillage thermique et d'une réinitialisation manuelle. Aucun signal inférieur à 0° C (32° F), signal supérieur à 29° C (80° F).

- 6.3 Si le commutateur électrique se déclenche (par exemple si une lumière rouge s'allume) pendant un démarrage à froid, poursuivez le fonctionnement jusqu'à ce que le signal (lumière rouge) disparaisse lorsque le système s'échauffe jusqu'à la température de fonctionnement normale. Cette fonctionnalité peut être utilisée comme indication d'« échauffement » dans les procédures d'exploitation. Si le signal d'avertissement (lumière rouge) persiste ou apparaît lorsque le système est chaud, remplacez l'élément filtrant.
- 6.4 L'utilisation de l'indication positive (lumière verte) et de l'indication négative (lumière rouge pour un élément colmaté) est recommandée pour surveiller la durée de vie de l'élément filtrant en toute efficacité.

Les connexions électriques et les valeurs nominales dépendent de l'indicateur choisi. Seules les valeurs types sont présentées ci-dessous :

110 V c.a.	=	4 A (inductive), 4 A (résistive)
220 V c.a.	=	4 A (inductive), 4 A (résistive)
28 V c.c.	=	3 A (inductive), 5 A (résistive)
48 V c.c.	=	1 A (inductive), 1,5 A (résistive)
125 V c.c.	=	0,25 A (inductive), 0,5 A (résistive)

Démarrage maximum - 24 A.

Les valeurs inscrites de Underwriter's lab. Inc. relatives aux options du pressostat (microrupteur) sont les suivantes :

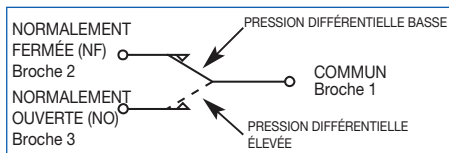
4 A à 250 V c.a.
0,25 A résistive à 220 V c.c.
0,50 A résistive à 110 V c.c.

Fonctionnement du pressostat différentiel électrique :

Si la pression différentielle prédéfinie est dépassée, le pressostat passe de Normalement fermé (NF) - Commun à Normalement ouvert (NO) - Commun.

Si la pression différentielle baisse en dessous de la valeur prédéfinie, il repasse de Normalement ouvert (NO) - Commun à Normalement fermé (NF) - Commun.

Figure 1 - Schéma de fonctionnement du commutateur



Consultez les options individuelles des indicateurs pour des détails relatifs aux connexions.

7 Entretien de l'élément filtrant

Pendant l'entretien, les surfaces externes de l'ensemble filtrant doivent être nettoyées afin d'éliminer tout dépôt de poussière. L'entretien doit être réalisé à l'aide d'outils adaptés ne présentant aucun danger.

Il ne doit en aucun cas être entrepris en présence d'une atmosphère potentiellement explosive.

PRÉCAUTION :

Il convient de remplacer les éléments filtrants sur indication ou à des intervalles spécifiques, au maximum tous les six mois. Toute incapacité à remplacer l'élément provoquera la dérivation du filtre.

Consultez la Liste des pièces de rechange (Section 9) pour les numéros d'articles destinés aux séries d'éléments de rechange applicables. Retirez et remplacez l'élément comme suit :

- 1 Mettez le système hors tension et dépressurisez-le. Ouvrez le bouchon de purge (5) situé au sommet du filtre d'un tour et demi.

AVERTISSEMENT :

TOUTE INCAPACITÉ À DÉPRESSURISER LE FILTRE AVANT L'ENTRETIEN DE L'ÉLÉMENT FILTRANT POURRAIT DONNER LIEU À UNE PROJECTION DE FLUIDE, UN ENDOMMAGEMENT DU MATÉRIEL ET DES BLESSURES POSSIBLES.

- 2 Ouvrez le bouchon de vidange (5) en bas de la cuve, puis évacuez le fluide de la cuve dans un récipient à déchets adapté. Remplacez et serrez le bouchon de vidange à un couple de 12 lb-pi ou 16 Nm. Dévissez, puis retirez la cuve (2) de la tête (1) en tournant dans le sens contraire des aiguilles d'une montre lorsqu'on l'observe du dessous.
- 3 Remplacement des éléments (série UE210) : retirez l'élément filtrant (8), s'il est déjà installé, puis inspectez attentivement la surface intérieure (l'écoulement à travers l'élément a lieu de l'intérieur à l'extérieur) afin de détecter d'éventuels signes de contamination. Aucune poussière ne devrait être présente, mais une poussière ou des particules visibles peuvent indiquer une défaillance précoce d'un composant du système. Mettez au rebut à la fois l'élément filtrant et son joint torique. L'élément filtrant ne PEUT être NETTOYÉ. Toute tentative de nettoyage de l'élément filtrant peut provoquer une dégradation du milieu filtrant et permettre à un fluide contaminé de circuler dans l'élément filtrant.

AVERTISSEMENT :

NE TENTEZ PAS DE NETTOYER OU DE RÉUTILISER L'ÉLÉMENT.

UTILISEZ UNIQUEMENT DES ÉLÉMENTS FILTRANTS DE RECHANGE PALL AUTHENTIQUES. TOUTE UTILISATION D'ÉLÉMENTS DE SUBSTITUTION PEUT ANNULER LA GARANTIE DU PRODUIT.

- 4 N'UTILISEZ PAS le système sans installer un élément filtrant. Vérifiez que le joint torique (3) situé entre la cuve (2) et la tête (1) n'est pas endommagé. Utilisez le filtre de rechange tel qu'indiqué par le numéro de pièce sur le capuchon de l'élément.
- 5 Lubrifiez le joint torique de l'élément à l'aide de fluide système propre. Réinstallez l'élément dans l'ensemble de coque. Lubrifiez légèrement la cuve au niveau du joint torique de la tête avec du fluide système propre, puis remontez le corps jusqu'à ce que le filetage soit bien en place. Serrez à un couple de 10-14 lb-pi (13-19 Nm).
- 6 Purgez le filtre en le remplissant jusqu'à ce que la totalité de l'air s'échappe par le bouchon de purge (7), puis serrez ce dernier à un couple de 12 lb-pi ou de 16 Nm. Vérifiez la présence de fuites conformément à la section 4.8.
- 7 Après le remplacement de l'élément, VÉRIFIEZ QUE LE DISPOSITIF DE PRESSION DIFFÉRENTIELLE EST RÉINITIALISÉ. Les commutateurs électriques et visuels en acier inoxydable et en laiton se réinitialisent automatiquement. Lorsque le système atteint une température de fonctionnement normale, assurez-vous que le commutateur électrique et/ou le bouton/drapeau d'avertissement visuel ne soient pas déclenchés. Si l'indicateur visuel se déclenche en raison d'une condition de démarrage à froid, réinitialisez-le à nouveau conformément à la section 6.

8 Garantie, limite de responsabilité et recours

IL N'EXISTE AUCUNE GARANTIE DE QUALITÉ MARCHANDE OU D'ADAPTABILITÉ À UN USAGE SPÉCIFIÉ CONCERNANT LES PRODUITS, NI AUCUNE AUTRE GARANTIE EXPLICITE OU IMPLICITE, SOUS RÉSERVE DES DISPOSITIONS DES PRÉSENTES.

Pendant une période de douze mois à compter de la date de livraison par le Vendeur ou de trois mille heures d'utilisation, selon la première éventualité (la « Période de garantie »), le Vendeur garantit que les produits fabriqués par ces soins, s'ils sont correctement installés et entretenus, puis utilisés selon les valeurs, spécifications et conditions de conception, seront exempts de défauts de matériaux et de main-d'œuvre. En guise d'explication et non de limitation, le Vendeur ne garantit pas la durée de service de l'élément filtrant puisqu'elle est indépendante de sa volonté et dépend de l'état du système dans lequel est installé le filtre.

La responsabilité du Vendeur dans le cadre de cette garantie est limitée uniquement (à la discrétion du Vendeur) au remplacement (point d'expédition d'origine FAB), à la réparation ou à l'émission d'une note de crédit pour les produits qui s'avèrent défectueux pendant la Période de garantie. L'Acheteur doit notifier rapidement par écrit toutes les réclamations et donner au Vendeur l'opportunité de vérifier et tester le produit dit défectueux. L'Acheteur doit fournir au Vendeur une copie de la facture originale du produit, et pré-payer tous les frais d'envoi pour retourner les produits à l'usine du Vendeur, ou à un autre établissement désigné par le Vendeur. Toutes les réclamations doivent être accompagnées de tous les détails, y compris les conditions de fonctionnement du système, le cas échéant.

Le Vendeur ne doit pas être tenu pour responsable des produits modifiés en dehors de l'usine du Vendeur sauf si cela est fait par le Vendeur ou un distributeur agréé du Vendeur.

Seuls les produits qui ont été assemblés par le distributeur conformément aux instructions écrites du Vendeur engagent la responsabilité du Vendeur. Le Vendeur ne doit pas non plus être tenu pour responsable d'un produit soumis à une mauvaise utilisation, un abus, une utilisation inappropriée, une opération de maintenance ou de réparation, une altération, un accident ou une négligence dans l'utilisation, le stockage, le transport ou la manipulation.

En aucun cas le Vendeur ne sera tenu pour responsable des dommages, incidents, conséquents ou autres, dus ou liés à la fabrication, l'emballage, la livraison, le stockage, l'utilisation, la mauvaise utilisation ou la non-utilisation de ses produits ou de toute autre cause.

9 Liste de pièces

Liste	Description	Quantité
1	Tête de filtre	1
2	Cuve	1
3	Joint torique (tête vers cuve)	1
4	Indicateur ou kit de bouchons de port (non illustré)	1
5	Bouchon de purge/vidange UR219*A (Ports SAE) UR219*C (Ports BSP)	2
6	Élément filtrant	1
7	Élément d'adaptateur	1

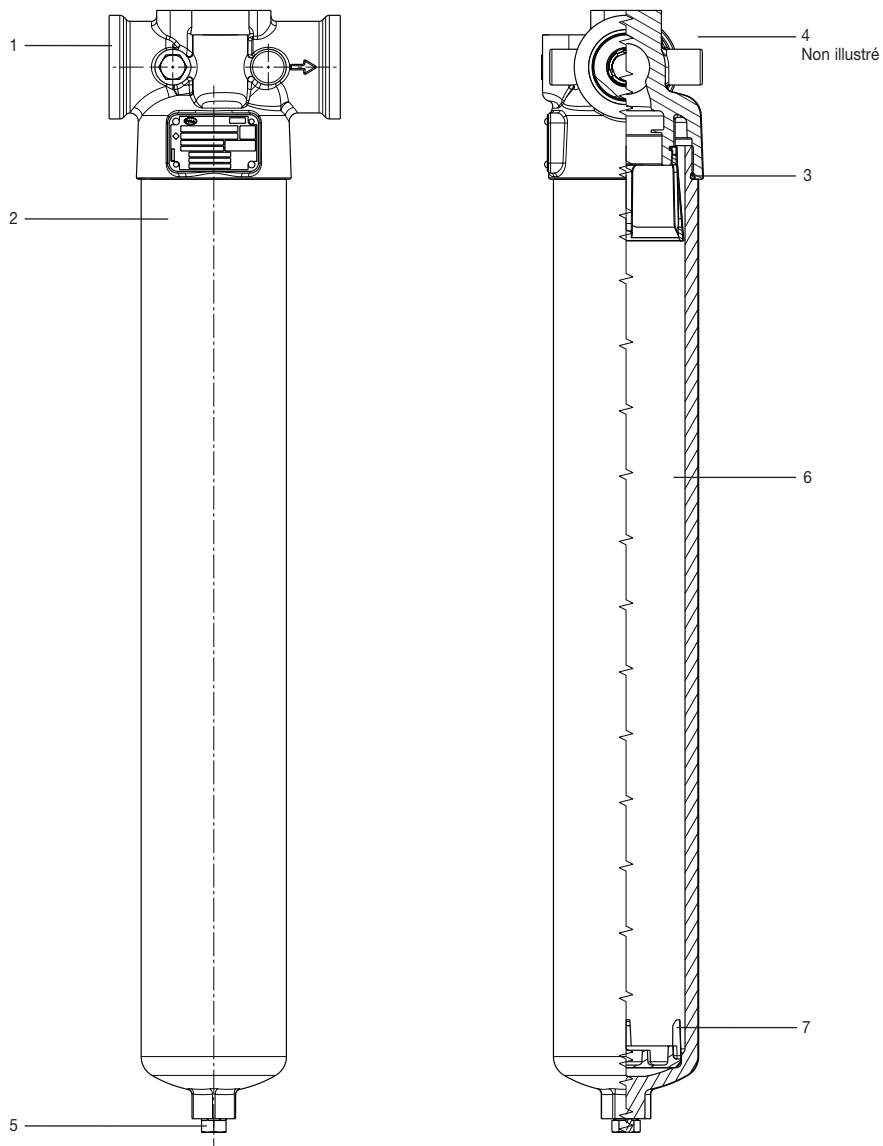
UR210

FILTRES RETOUR

Série UR210

instructions de service

Figure 2



UR210

FILTRES RETOUR

Série UR210

instructions **de service**



Pall Corporation

25 Harbor Park Drive
Port Washington, NY 11050, États-Unis
+1 516 484 3600 téléphone
+1 800 289 7255 appel gratuit
aux États-Unis

Portsmouth - Royaume-Uni
+44 (0)23 9233 8000 téléphone
+44 (0)23 9233 8811 fax
www.pall.com/contact



**Better Lives.
Better Planet.SM**

Visitez notre site à l'adresse www.pall.com

Pall Corporation possède des bureaux et des usines partout dans le monde. Pour trouver le représentant Pall de votre région, rendez-vous sur le site : www.pall.com/contact.

En raison des évolutions technologiques liées aux produits, systèmes et/ou services décrits ici, les données et procédures sont susceptibles d'être modifiées sans avis préalable. Veuillez contacter votre représentant Pall ou consulter le site www.pall.com pour vérifier que les informations sont toujours en vigueur.

© Copyright 2019, Pall Corporation. Pall et  sont des marques de Pall Corporation.

® indique une marque déposée aux États-Unis. Better Lives, Better Planet et Filtration, Separation, Solution.SM sont des marques de service de Pall Corporation.



Pall Corporation

UR210

Serie UR210



IT Istruzioni d'uso e manutenzione per UR210

ITALIANO

Istruzioni d'uso e
manutenzione

M&ESIUR210ITc

Filtration. Separation. Solution.SM

1 Specifiche tecniche

Materiale del contenitore:

Testa e campana: lega di alluminio, finitura esterna verniciata

Pressione massima di esercizio:

41 bar (600 psi)

Pressione di prova:

62 bar (900 psi)

Pressione di scoppio:

165 bar (2400 psi)

Pressione di collasso dell'elemento:

Elemento filtrante UE210: 10 bard (150 psid) differenziali

Temperature di esercizio:

da -29° C a 120° C (da -20° F a 250° F) con guarnizioni al fluorocarbonio per fluidi a base di petrolio e fluidi sintetici specifici

massimo 60° C (140° F) per HWCF, emulsione olio-acqua o acqua-glicole

Opzioni d'impostazione della valvola di bypass:

Pressione di apertura: 1,7 ± 0,2 bard (25 ± 3 psid)

Pressione di apertura: 4,5 ± 0,5 bard (65 ± 7 psid)

AVVERTENZA:

Il picco massimo di portata non deve superare di 1,3 volte la portata normale.

Guarnizioni:

Fluorocarbonio

L'utente deve verificare le condizioni di esercizio effettive per assicurarsi che l'elemento, il contenitore e tutte le guarnizioni siano compatibili con il fluido e l'applicazione e siano conformi alle normative sulla sicurezza locali. Per richiedere ulteriori informazioni, contattare Pall o un concessionario autorizzato.

2 Ricevimento dell'apparecchio

Il contenitore e qualsiasi altro dispositivo opzionale sono imballati singolarmente per l'assemblaggio da parte del cliente. Disimballare con cura e controllare che non vi siano articoli rimasti negli imballaggi da smaltire.

3 Fonti generali di informazioni

- 3.1 Per dimensioni, parametri di esercizio, codici di filtri completi/elementi filtranti, informazioni per gli ordini, note, dati prestazionali e specifiche, fare riferimento alla scheda delle specifiche tecniche.
- 3.2 Questo apparecchio è stato collaudato in conformità alle linee guida stabilite dalla Direttiva europea sulle apparecchiature a pressione 97/23/CE ed è stato classificato conforme alla pratica di progettazione acustica S.E.P (sound engineering practice). Con il presente documento dichiariamo che l'apparecchio soddisfa i requisiti dell'articolo 3, sezione 3, e pertanto è conforme ai requisiti della direttiva. Conformemente alle disposizioni di questa direttiva, l'assemblaggio del filtro è idoneo esclusivamente per l'uso con fluidi del gruppo 2.
- 3.3 Ove, entro condizioni ragionevolmente prevedibili, in presenza di fiamme esterne, i limiti consentiti potrebbero essere superati, il cliente è tenuto a installare adeguati dispositivi di protezione all'interno del sistema di circolazione del fluido.

4 Installazione del contenitore

- 4.1 Il filtro può essere installato in qualsiasi posizione, tuttavia per facilitare la manutenzione, si consiglia di installarlo in posizione verticale con la campana rivolta verso il basso.
- 4.2 La minima distanza richiesta per la rimozione dell'elemento è: 76,2 mm o 3" per tutte le lunghezze. L'involucro del modello UR210 è fornito senza elemento filtrante. Per l'installazione dell'elemento e le procedure di manutenzione, fare riferimento alla Sezione 7.
- 4.3 Per l'installazione dell'indicatore di intasamento nell'apposito foro filettato, è necessario applicare una coppia di serraggio pari a 54 Nm o 40 lbf. Tutti gli indicatori ottici devono essere chiaramente visibili.

NOTA: la testa del modello UR210 è dotata di un foro filettato per l'indicatore di intasamento su cui è applicato un tappo in plastica per la spedizione. Se non è stato ordinato alcun indicatore di intasamento, è necessario rimuovere il tappo di spedizione e sostituirlo con un tappo cieco tipo 'B' (HA9000-A104Z) applicando una coppia di serraggio pari a 54 Nm o 40 lbf.

ATTENZIONE: non applicare mai il tappo su questa porta senza installare prima un O-ring di misura nominale -014 nell'apposita scanalatura inferiore, altrimenti potrebbe verificarsi un by-pass con rilascio di contaminante a valle dell'elemento filtrante.

AVVERTENZA:

Non utilizzare mai il filtro a meno che la porta dell'indicatore di intasamento non sia chiusa con gli appositi tappi.

- 4.4 Montare il filtro in posizione utilizzando quattro bulloni da 5/16-18 (porte 'A') o M8 x 1,25 (porte 'C') nei fori delle piastre di montaggio della testa. Serrare i bulloni a una coppia di 14-19 Nm o 10-14 lbf.
- 4.5 Utilizzare una valvola di non ritorno a valle del filtro, se esiste la possibilità di un ritorno di flusso in senso inverso.
- 4.6 Se è richiesta la manutenzione del filtro senza arresto del sistema, installare il contenitore utilizzando le tubazioni/valvole aggiuntive necessarie per by-passare il filtro. Questa serie non è disponibile in configurazione duplex o con bypass di manutenzione.

AVVERTENZA:

Il flusso inverso attraverso l'elemento filtrante può causare danni.

NOTA: è necessario prevedere opportuni supporti per le tubazioni in posizioni quanto più vicine possibile alla porte di connessione al fine di minimizzare i carichi esterni. Il filtro non deve essere elettricamente isolato dal sistema di messa a terra dell'utente. È necessario collegare a terra il filtro mediante connessione al sistema di messa a terra dell'utente attraverso uno dei collegamenti di ingresso/uscita.

- 4.7 Collegare le linee o i tubi flessibili alle porte di ingresso e uscita del contenitore.

ATTENZIONE:

UTILIZZARE RACCORDI E ADATTATORI COMPATIBILI CON LE PORTE FORNITE IN DOTAZIONE COME MOSTRATO DAL ODICE PRESENTE SULLA TARGHETTA E RIPORTATA NELLE SCHEDE DATI: L'UTILIZZO DI RACCORDI O ADATTATORI NON APPROPRIATI PUÒ CAUSARE PERDITE DI PRESSIONE DAL CONTENITORE O DAL COLLETTORE E POSSIBILI DANNI AL SISTEMA O LESIONI PERSONALI.

NOTA: la verniciatura del contenitore è opzionale. Il rivestimento del contenitore è adatto ad essere verniciato. Coprire l'indicatore di intasamento e la targhetta prima di effettuare una verniciatura.

- 4.8 Spurgare il filtro allentando il tappo di sfiato (5) sulla testa del contenitore di un giro e mezzo. Far fluire lentamente il fluido e riempire il filtro finché tutta l'aria presente non fuoriesce attraverso il tappo di sfiato, quindi serrare il tappo con una coppia di 16 Nm o 12 ftlb. Pressurizzare completamente il sistema e controllare che non vi siano perdite; in caso di perdite, fare riferimento alla sezione 5.

AVVERTENZA:

Il mancato o inadeguato sfiato del contenitore incrementerà il contenuto di aria disciolta nel fluido con conseguente riduzione della durata del fluido stesso e possibili altri problemi nel sistema.

5 Manutenzione ordinaria

- 5.1 I filtri **Pall** normalmente non richiedono speciali attenzioni a parte il monitoraggio periodico dell'indicatore di intasamento. Pianificare la sostituzione dell'elemento filtrante almeno ogni sei mesi e mantenere una scorta sufficiente di elementi di ricambio disponibili.
- 5.2 Se si individuano perdite esterne, sostituire l'O-ring in prossimità della perdita. Se la perdita persiste, controllare che le superfici di tenuta non presentino graffi o fratture; sostituire ogni parte difettosa.
- 5.3 L'indicatore di intasamento si aziona quando è necessario sostituire l'elemento filtrante o a causa di un'eccessiva viscosità del fluido in condizioni di avviamento a freddo. Per gli avviamenti a freddo, vedere le Sezioni 6.2 e 6.3.
- 5.4 Un sistema sporco può rapidamente intasare un elemento filtrante nuovo, specialmente con i setti ad alta efficienza **Pall**. Per questo motivo inizialmente può essere richiesta la sostituzione di uno o due elementi filtranti prima di ottenere la stabilizzazione della durata dell'elemento. Se la durata dell'elemento filtrante è breve o la pressione differenziale è eccessiva, il filtro potrebbe essere sottodimensionato; fare riferimento alla sezione relativa alla selezione e dimensionamento nella documentazione del prodotto oppure contattare il rappresentante Pall di zona.
- 5.5 Assicurarsi che le etichette di sostituzione dell'elemento siano pulite e non danneggiate. Sostituire le etichette illeggibili con etichette nuove appropriate.

6 Indicatore di intasamento

È necessario fare riferimento alla documentazione del prodotto per le dimensioni, i parametri di esercizio, i codici, le informazioni sugli ordini e le specifiche.

- 6.1 L'indicatore di intasamento si aziona quando è necessario sostituire l'elemento o a causa di un'eccessiva viscosità del fluido in condizioni di 'avviamento a freddo'.
- 6.2 Quando è installato un indicatore ottico in acciaio inox, se questo si aziona durante un 'avviamento a freddo' (il pulsante rosso si estende di 5 mm, 3/16"), ripristinare il dispositivo premendo il pulsante una volta raggiunta la normale temperatura di esercizio. Se l'indicatore si aziona di nuovo dopo un ripristino, sostituire l'elemento. Quando è installato un indicatore ottico in ottone, se questo si aziona durante un 'avviamento a freddo' (la spia interna all'indicatore diventa rossa), il dispositivo si ripristinerà automaticamente al raggiungimento

della normale temperatura di esercizio. Se l'indicatore si aziona di nuovo dopo il ripristino della normale temperatura di esercizio, sostituire l'elemento.

NOTA: l'indicatore ottico opzionale 'IP' è dotato di blocco termico e ripristino manuale. Nessun segnale al di sotto di 0° C (32° F), presenza di segnale oltre 29° C (80° F).

- 6.3 Se l'interruttore elettrico si aziona (ad esempio, la spia rossa si accende) durante un 'avviamento a freddo', mantenere in funzione il sistema finché il segnale (spia rossa) non scompare al raggiungimento della normale temperatura di esercizio del sistema. Questa funzione può essere utilizzata come un'indicazione di 'riscaldamento' nelle procedure operative. Se il segnale di avviso (spia rossa) persiste o si presenta con il sistema normalmente riscaldato, sostituire l'elemento filtrante.
- 6.4 Si raccomanda di utilizzare entrambe le indicazioni positiva (spia verde) e negativa (spia rossa per elemento intasato) per monitorare efficacemente la durata dell'elemento filtrante.

Le connessioni elettriche e i valori nominali dipendono dall'indicatore scelto. Di seguito sono riportati i valori tipici:

110 VCA	=	4 A (induttivo), 4 A (resistivo)
220 VCA	=	4 A (induttivo), 4 A (resistivo)
28 VCC	=	3A (induttivo), 5A (resistivo)
48 VCC	=	1A (induttivo), 1,5A (resistivo)
125 VCC	=	0,25A (induttivo), 0,5A (resistivo)

Picco di corrente massimo: 24 Amp.

Di seguito sono riportate le opzioni dello Underwriter's Lab. Inc. per i valori nominali del pressostato (Microswitch):

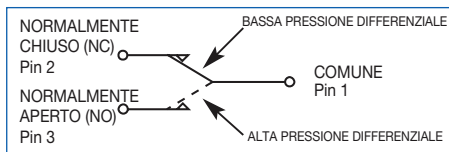
4 Amp. a 250 VCA
0,25 Amp. resistivo a 220 VCC
0,50 Amp. resistivo a 110 VCC

Commutazione del circuito elettrico per l'indicatore di intasamento

Quando la pressione differenziale preimpostata viene superata, l'indicatore di intasamento commuta da Normalmente chiuso (NC) - Comune a Normalmente aperto (NO) - Comune.

Quando la pressione differenziale scende al di sotto del valore preimpostato, l'indicatore di intasamento commuta da Normalmente aperto (NO) - Comune a Normalmente chiuso (NC) - Comune.

Figura 1 - Diagramma del circuito di commutazione



Vedere le opzioni di ogni singolo indicatore per i dettagli della connessioni.

7 Manutenzione dell'elemento filtrante

Durante la manutenzione, le superfici esterne del filtro devono essere pulite per rimuovere qualsiasi deposito di sporcizia.

La manutenzione deve essere condotta utilizzando strumenti idonei che non comportino rischi.

Gli interventi di manutenzione non devono essere eseguiti in presenza di un'atmosfera potenzialmente esplosiva.

AVVERTENZA:

Gli elementi filtranti devono essere sostituiti in base alle indicazioni o a specifici intervalli e al massimo ogni sei mesi. La mancata sostituzione dell'elemento causerà il passaggio in bypass del filtro.

Fare riferimento all'Elenco delle parti di ricambio (Sezione 9) per i codicidegli elementi filtranti utilizzabili. Rimuovere e sostituire gli elementi come segue:

- 7.1 Spegner e depressurizzare il sistema. Aprire il tappo di sfiato (5) sulla testa del filtro di un giro e mezzo.

ATTENZIONE:

LA MANCATA DEPRESSURIZZAZIONE DEL FILTRO PRIMA DELLA MANUTENZIONE DELL'ELEMENTO FILTRANTE PUÒ CAUSARE UNA FUORIUSCITA ESPLOSIVA DEL FLUIDO, DANNI ALL'APPARECCHIATURA E POSSIBILI LESIONI ALLE PERSONE.

- 7.2 Aprire il tappo di scarico (5) sul fondo della campana e scaricare il fluido dalla campana in un contenitore idoneo per lo smaltimento. Rimontare e serrare il tappo di scarico con una coppia di 16 Nm o 12 ft/lb. Svitare e rimuovere la campana (2) dalla testa (1) in senso antiorario, osservando dal basso.
- 7.3 Sostituzione dell'elemento filtrante (Serie UE210): rimuovere l'elemento filtrante (8), se già installato, e ispezionare attentamente la superficie interna (il flusso attraverso l'elemento filtrante è dall'interno all'esterno) per rilevare eventuali contaminante visibile. Normalmente non dovrebbe essere presente sporcizia, tuttavia la presenza di sporco o particolato può essere un segnale preventivo di un guasto del componente del sistema. Smaltire l'elemento filtrante e il relativo O-ring. L'elemento filtrante **NON PUÒ ESSERE PULITO**. Qualsiasi tentativo di pulire l'elemento filtrante può causare un deterioramento del setto filtrante e permettere il passaggio di fluido contaminato attraverso l'elemento filtrante.

ATTENZIONE:

NON TENTARE DI PULIRE O RIUTILIZZARE L'ELEMENTO FILTRANTE UTILIZZARE SOLO ELEMENTI FILTRANTI DI RICAMBIO ORIGINALI PALL. L'USO DI ELEMENTI ALTERNATIVI PUÒ INVALIDARE LA GARANZIA DEL PRODOTTO.

- 7.4 **NON AZIONARE** il sistema senza un elemento filtrante installato. Controllare che l'O-ring (3) fra la campana (2) e la testa (1) non sia danneggiato. Sostituire l'elemento filtrante usato con un elemento nuovo uguale (verificare il codice riportato sul fondello dell'elemento filtrante).
- 7.5 Lubrificare l'O-ring dell'elemento filtrante con fluido di sistema pulito. Reinstallare l'elemento nel contenitore. Lubrificare l'O-ring fra la campana e la testa con fluido di sistema pulito e rimontare campana avvitando a fondo la filettatura. Serrare a 13-19 Nm (10-14 lbf).
- 7.6 Spurgare il filtro riempiendolo finché tutta l'aria non fuoriesce attraverso il tappo di sfiato (7), quindi serrare il tappo di sfiato a una coppia di 16 Nm o 12 lb/ft. Controllare che non vi siano perdite come illustrato nella sezione 4.8.
- 7.7 Dopo la sostituzione dell'elemento, **PROVEDERE AL RIPRISTINO DELL'INDICATORE DI INTASAMENTO**. Gli indicatori di intasamento ottici ed elettrici in ottone e quelli elettrici in acciaio inox effettuano automaticamente il ripristino. Quando il sistema raggiunge la normale temperatura di esercizio, controllare che l'indicatore di intasamento elettrico o ottico non segnali che il filtro è intasato. Se l'indicatore ottico si attiva a causa di un avviamento a freddo, ripristinarlo come descritto nella sezione 6.

8 Garanzia, Limitazione di responsabilità e Rimedi

NON È CONCESSA GARANZIA ALCUNA DI COMMERCIALITÀ O IDONEITÀ PER QUALSIASI FINE PARTICOLARE IN RELAZIONE A QUALUNQUE PRODOTTO, NÉ ALCUN'ALTRA GARANZIA ESPRESSA O IMPLICITA, TRANNE QUELLA FORNITA CON IL PRESENTE DOCUMENTO.

Per un periodo di dodici mesi dalla data di consegna da parte del Venditore o tremila ore di utilizzo, a seconda della condizione che si verifica per prima ("Periodo di garanzia"), il Venditore garantisce che i prodotti fabbricati dal Venditore, se installati e sottoposti a manutenzione correttamente e azionati conformemente ai valori nominali, alle specifiche e alle condizioni progettuali, sono privi di difetti nei materiali e nella lavorazione. A solo titolo esemplificativo e non limitativo, il Venditore non garantisce la durata utile dell'elemento di filtraggio poiché ciò è fuori dal controllo del Venditore e dipende dalle condizioni del sistema in cui il filtro è installato. La responsabilità del Venditore in virtù di qualsivoglia garanzia sarà limitata esclusivamente (a discrezione del Venditore) alla sostituzione (punto di spedizione originale FOB (franco bordo), alla riparazione o al rimborso del costo dei prodotti che risultano difettosi durante il Periodo di garanzia. L'Acquirente è tenuto a informare prontamente il Venditore per scritto in merito a qualsiasi reclamo e a concedere al Venditore l'opportunità di ispezionare e testare il prodotto dichiarato difettoso. L'Acquirente dovrà altresì fornire al Venditore copia della fattura originale per il prodotto e dovrà farsi carico di tutte le spese di spedizione per la restituzione di qualsiasi prodotto presso lo stabilimento del Venditore o altra struttura designata dal Venditore. Tutti i reclami devono essere accompagnati da una descrizione particolareggiata che includa le condizioni di esercizio del sistema, se applicabili.

Il Venditore non sarà responsabile per qualsivoglia prodotto alterato fuori dallo stabilimento del Venditore, se non effettuato dal Venditore stesso o dal distributore autorizzato dal Venditore e, relativamente a quest'ultimo, solo per i prodotti assemblati dal distributore in conformità con le istruzioni scritte del Venditore. Il Venditore non sarà inoltre responsabile per alcun prodotto soggetto a cattivo uso, abuso, installazione o applicazione non corretta, pratiche di azionamento, manutenzione o riparazione, stoccaggio, trasporto o movimentazione non corrette, alterazione, incidente o negligenza nell'uso.

In nessun caso il Venditore sarà responsabile per gli eventuali danni incidentali, conseguenti o di altro genere, derivanti da o in connessione con fabbricazione, imballaggio, consegna, conservazione, utilizzo, uso scorretto o mancato utilizzo di qualsiasi suo prodotto o qualsivoglia altra causa.

9 Elenco delle parti

Elenco	Descrizione	Quantità
1	Testa del filtro	1
2	Campana 1	
3	O-ring (fra testa e campana) 1	
4	Kit indicatore o tappo per la sede dell'indicatore (non mostrato) 1	
5	Tappo di spurgo/scarico UR219°A (Porte SAE) UR219°C (Porte BSP)	2
6	Elemento di filtrante 1	
7	Adattatore dell'elemento filtrante 1	

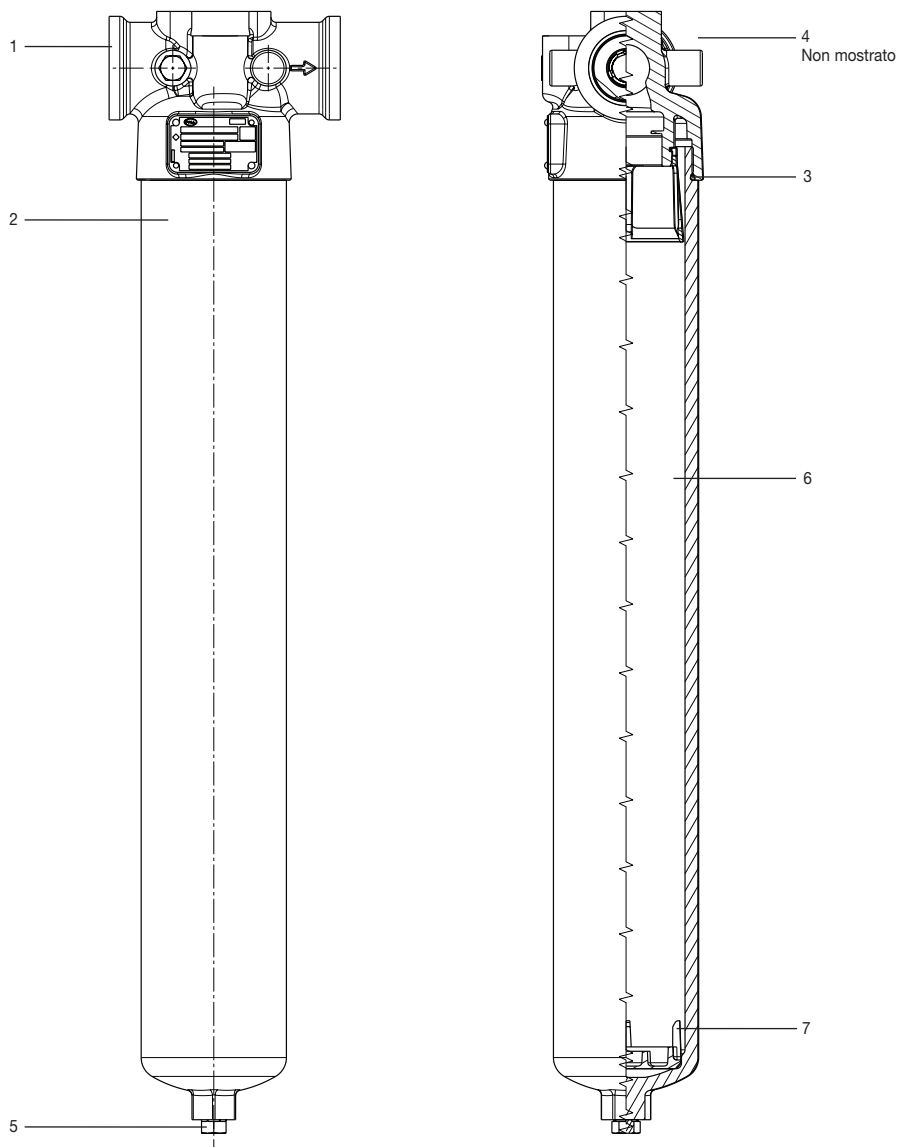
UR210

FILTRI SULLA LINEA DI RITORNO

Serie UR210

istruzioni **d'uso e manutenzione**

Figura 2



UR210

FILTRI SULLA LINEA DI RITORNO

Serie UR210

istruzioni **d'uso e manutenzione**

UR210

FILTRI SULLA LINEA DI RITORNO

Serie UR210

istruzioni **d'uso e manutenzione**



Pall Corporation

25 Harbor Park Drive
Port Washington, NY 11050, États-Unis
+1 516 484 3600 téléphone
+1 800 289 7255 appel gratuit
aux États-Unis

Portsmouth - Royaume-Uni
+44 (0)23 9233 8000 téléphone
+44 (0)23 9233 8811 fax
www.pall.com/contact

Visitateci al sito www.pall.com



**Better Lives.
Better Planet.SM**

Pall Corporation ha uffici e stabilimenti in tutto il mondo. Per trovare i rappresentanti Pall nella vostra zona, visitate la pagina www.pall.com/contact

A causa degli sviluppi tecnologici correlati ai prodotti, ai sistemi e/o ai servizi qui descritti, i dati e le procedure sono soggetti a modifica senza preavviso. Per confermare la validità di queste informazioni consultate il vostro rappresentante Pall o visitate la pagina www.pall.com.

© Copyright 2019, Pall Corporation. Pall e  sono marchi di Pall Corporation.

® Indica un marchio registrato negli USA. Better Lives. Better Planet. e Filtration. Separation. Solution.SM sono marchi di servizio di Pall Corporation.



Pall Corporation

UR210

UR210シリーズ

アフターサービス説明書



JN UR210アフターサービス説明書

細
字

M&ESIUR210JNc

Filtration. Separation. Solution.SM

1 使用

ハウジングの材質:

ヘッドおよびボウル: アルミニウム合金、塗装外部仕上げ

最高動作圧力:

41bar (600psi)

耐圧:

62bar (900psi)

最小バースト圧力:

165bar (2400psi)

エレメント崩壊:

UE210エレメント 10 bard (150 psid) 最小差圧

動作温度範囲:

-29° C ~ 120° C (-20° F ~ 250° F) (フルオロカーボンシールと共に使用)

(石油系および特定の合成流体の場合)

最大60° C (140° F) (HWCF、水油乳剤

または水グリコールにおいて)

バイパスバルブの設定オプション:

1.7 ± 0.2 bard (25 ± 3 psid) のクラッキング圧力

4.5 ± 0.5 bard (65 ± 7 psid) のクラッキング圧力

注意:

最大サイズ電流が、通常の電流の1.3倍を超えないようにしてください。

シール:

フルオロカーボン

実際の動作条件は、エレメント、ハウジング、およびすべてのシールが流体および用途に適合し、現地の安全コードの範囲内にあることを確認するために、ユーザーが確認する必要があります。更なる情報が必要な場合は、Pallまたは認定代理店にお問い合わせください。

2 機器の受領

フィルタハウジングおよび任意のオプション機器は、お客様が組み立てるために個別に梱包されています。慎重に開梱し、オプション品目が廃棄する梱包に置き忘れられていないことを確認してください。

3 一般的な情報源

3.1 寸法、動作パラメータ、アセンブリ/エレメント部品番号、発注情報、注記、性能データおよび仕様については、データシートを参照してください。

3.2 この機器は、欧州圧力指令97/23/ECに規定されるガイドラインに従って評価されており、健全な工学実務S.E.P.に分類されています。当社は、ここで、この機器が、第3条第3項の要件を満たしていること、したがって、指令要件を満たしていることを宣言します。この指令の規定の下では、フィルタアセンブリは、グループ2の流体のみの使用に適しています。

3.3 外部火災を含む合理的に予見可能な条件の下で、許容限度を超える可能性がある場合は、お客様が、適切な保護装置を接続流体システム内に設置する必要があります。

4 ハウジングの設置

4.1 フィルタは、どのような姿勢でも取り付けられますが、アフターサービスを容易にするため、ボウルを downward にして垂直に取り付けることを推奨します。

4.2 エレメントの取り外しに必要な最小クリアランスは、次のとおりです: すべての長さに対して、76.2 mmまたは3インチ。UR210ハウジングは、フィルタエレメントなしで提供されます。エレメントの設置およびアフターサービス手順については、セクション7を参照してください。

4.3 ねじ式差圧装置は、取り付けられている場合、40 lbfまたは54 Nmのトルクで締め付けてください。すべての視覚インジケータがはっきりと見えるようにしてください。

注記: UR210ヘッドには、プラスチック製出荷用プラグが取り付けられた機械式差圧警告装置ポートが付属しています。差圧警告装置を注文しない場合は、出荷プラグを取り外し、「B」タイプのプランキングプラグ (HA9000-A104Z) に交換し、40 lb/ftまたは54 Nmのトルクで締め付けてください。

注記: 下部Oリング溝に均一サイズO14 Oリングを最初に取り付けることなく、このポートにポートプラグを配置しないでください。そうしないと、小さなバイパス流が生じ、汚染物質がフィルタエレメントの下流に流れる可能性があります。

注意:

フィルタを操作するときは、必ず、警告装置のポートを塞いでください。

4.4 ヘッド取り付けパッドの穴に4つの5/16-18 (「A」ポート) またはM8 x 1.25 (「C」ポート) ボルトを使用して、フィルタアセンブリを所定の位置に取り付けます。ボルトを10~14 ft/lbまたは14~19 Nmのトルクで締め付けてください。

4.5 逆流の可能性がある場合は、フィルタの下流を確認バルブを使用してください。

4.6 システムをシャットダウンせず、フィルタの保守が必要な場合は、フィルタを完全にバイパスするために、追加のバイパスバルブを使用して、フィルタハウジングを設置してください。このシリーズは、デプレックスまたはアフターサービスバイパス構成では使用できません。

注意:

フィルタエレメントを通る逆流により、損害が発生する恐れがあります。

注記: バイパスポートは、外部負荷を最小限に抑えるために、ポート接続部に実用的にある限り、できるだけ近づけて設置してください。このフィルタアセンブリは、ユーザー接地システムから電子的に絶縁されるようにしてください。このフィルタアセンブリは、ユーザー設置システムを入口/出口接続の1つに接続することにより、接地するようにしてください。

4.7 ラインまたはホースをハウジングの入口および出口ポートに接続します。

警告:

銘板上またはデータシートに記載される部品番号により表示されるように、付属のポートと互換性のある接続部品またはアダプタを使用してください。誤った接続部品またはアダプタを使用すると、フィルタハウジングまたはマニホールドが故障し、圧力の喪失、システムの故障、怪我につながる可能性があります。

注記：フィルタハウジングの塗装はオプションです。フィルタハウジング上のコーティングは、適切な塗装ベースです。ハウジングの塗装を行う場合は、差圧警告装置と銘板を覆ってください。

- 4.8 フィルタ上部のベントプラグ (5) を開き、1+1/2回転させることにより、フィルタを排出させます。システムを動作させ、すべての空気がプラグを通して排出されるまでフィルタを充填し、次に、プラグを12 ft/lbまたは16 Nmのトルクで締め付けてください。システムを完全に加圧し、漏れがないか確認してください。漏れが発生した場合は、セクション5を参照してください。

注意:

フィルタハウジングから十分に排出させないと、システム流体の溶存空気量が増え、流体の寿命が短くなり、システム内に他の問題を引き起こす可能性があります。

5 定期保守

- 5.1 **Pall**製フィルタは、通常、差圧警告装置の定期的な監視を除いて、特別な注意を必要としません。フィルタエレメントの交換を6ヵ月ごと、またはより早く置き換えるようにスケジュールし、スペアエレメントを十分に供給してください。
- 5.2 外部漏れが確認された場合は、漏れのある箇所^①のOリングを交換してください。漏れが続く場合は、シーリング面に傷または亀裂がないか確認してください。欠陥のある部品を交換してください。
- 5.3 差圧装置は、エレメントを交換する必要があるとき、または「コールドスタート」状態で、高い流体粘度があるときに作動します。「コールドスタート」条件が存在する場合は、セクション6.2および6.3を参照してください。
- 5.4 汚れたシステムには、特に**Pall**製高効率フィルタメディアを使って、新しいフィルタエレメントを素早く接続できます。エレメントの寿命を安定させるために、1つまたは2つの初期エレメントの交換が必要となる場合があります。エレメントの寿命が短くなったり、差圧が過大である場合、フィルタのサイズが小さすぎる場合があります。製品資料のサイジングおよび選択のセクションを参照するか、最寄りの**Pall**代理店に連絡してください。
- 5.5 交換用エレメントのラベルがきれいで、損傷していないことを確認してください。判読不能なラベルを適切な新しいラベルに交換してください。

6 差圧装置

寸法、動作パラメータ、部品番号、発注情報、および仕様については、製品資料を参照してください。

- 6.1 差圧装置は、エレメントを交換する必要があるとき、または「コールドスタート」状態で、高い流体粘度があるときに作動します。
- 6.2 ステンレス製の視覚インジケータが取り付けられ、「コールドスタート」中に作動する場合 (赤色ボタンが5mm、3/16インチ伸びます)、通常の動作温度に達するとき、ボタンを押してリセットしてください。リセット後にインジケータが作動する場合は、エレメントを交換してください。真ちゅう製の視覚インジケータが取り付けられ、「コールドスタート」中に作動する場合 (インジケータ内部のフラグが赤色に変わります)、通常の動作温度に達すると、自動的にリセットされます。正常な動作温度に達した後でもインジケータが作動している場合は、エレメントを交換してください。

注記：オプションの「P」視覚インジケータは、サーマルロックアウトと手動リセットを備えています。0° C (32° F) 以下の信号、29° C (80° F) 以上の信号。

- 6.3 コールドスタート中に電気スイッチが作動すると (例えば、赤色光が点灯します)、システムが通常の動作温度になると信号 (赤色光) が消えるまで動作を継続します。この機能は、操作手順における「ウォーミングアップ」表示として使用できます。システムのウォーミングアップが完了したとき、警告信号 (赤色光) が消えない場合、または、点灯した場合は、フィルタエレメントを交換してください。
- 6.4 フィルタエレメントの寿命を効果的に監視するために、肯定的な表示 (緑色光) と否定的な表示 (エレメントが汚れた場合の赤色光) の両方を使用することを推奨します。

電氣的な接続および定格は、選択したインジケータにより異なります。標準値を以下に示します:

110 VAC	=	4A (誘導)、 4A (抵抗)
220 VAC	=	4A (誘導)、 4A (抵抗)
28 VDC	=	3A (誘導)、 5A (抵抗)
48 VDC	=	1A (誘導)、 1.5A (抵抗)
125 VDC	=	0.25A (誘導)、 0.5A (抵抗)

最大突入電流 - 24 A

圧力スイッチ (マイクロスイッチ) のULリステッド定格のオプションは、以下の通りです:

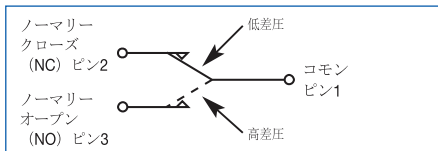
250 VACにおいて	4 A
220 VDCにおいて	0.25 A (誘導)
110 VDCにおいて	0.50 A (抵抗)

電氣的な作動圧力スイッチの動作:

予め設定された差圧を超えると、状態は、ノーマリークローズ (NC) - コモンからノーマリーオープン (NO) - コモンに切り替わります。

差圧が予め設定された値を下回ると、状態は、ノーマリーオープン (NO) - コモンからノーマリークローズ (NC) - コモンに戻ります。

図1 - スイッチの回路図



接続の詳細については、個別のインジケータのオプションを参照してください。

7 フィルタエレメントのアフターサービス

アフターサービス中に、フィルタアセンブリの外表面を清掃して、埃の堆積を取り除いてください。

アフターサービスは、危険性がない適切な工具を使用して実施してください。

潜在的に爆発性の雰囲気がある場合は、アフターサービスを行わないでください

注意:

フィルタエレメントは、表示または指定された間隔(最大6か月)で交換してください。エレメントを変更しないと、フィルタがバイパスされます。

該当する置換エレメントシリーズの項目番号については、アフターサービス部品リスト(セクション9)を参照してください。次のようにエレメントと取外し、置換してください:

- 7.1 システムをオフに切り替え、減圧してください。フィルタ上部のベントプラグ(5)を開き、1+1/2回転させてください。

警告:

アフターサービスを行う前にフィルタを減圧しないと、流体の爆発、装置への損傷、および、怪我の可能性があります。

- 7.2 ボウル下部のドレインプラグ(5)を開き、ボウルから流体を適切な廃棄容器に排出してください。ドレインプラグを交換して、12 ft/lbまたは16 Nmのトルクで締め付けてください。ボウル(2)を下から見て反時計回りに回転させ、ヘッド(1)から取り外してください。
- 7.3 エレメント交換(UE210シリーズ): フィルタエレメント(8)がすでに取り付けられている場合はそれを取り外し、内面(エレメントを通るフロー)の目に見える汚染を慎重に点検してください。通常、汚れは見えませんが、目に見える汚れまたは粒子は、システムコンポーネントの故障を早期に警告する可能性があります。フィルタエレメントおよびOリングを廃棄してください。フィルタエレメントは、洗浄可能ではありません。フィルタエレメントを洗浄しようとすると、フィルタ媒体が劣化し、汚染流体がフィルタエレメントを通過する可能性があります。

警告:

エレメントを清掃したり、再使用したりしないでください。純正のPALL交換用フィルタエレメントのみを使用してください。代替エレメントの使用により、製品保証が無効になる可能性があります。

- 7.4 フィルタエレメントを取り付けずにシステムを稼働させないでください。ボウル(2)とヘッド(1)の間のOリング(3)が損傷していないことを確認してください。エレメントエンドキャップの部品番号に示されている通りの交換用フィルタを使用してください。
- 7.5 エレメントOリングをクリーンシステム液で潤滑してください。エレメントをシェルアセンブリに要素を再取り付けしてください。清潔なシステム液でボウルからヘッドOリングを軽く潤滑し、スレッドの下部に達するまで、ハウジングを再組み立てしてください。10~14 LBFT (13~19 Nm) のトルクで締め付けてください。

- 7.6 すべての空気がベントプラグ(7)を通して排出されるまで、フィルタを充填することにより、フィルタを排出させ、次に、ベントプラグを12 lb/ftまたは16 Nmのトルクで締め付けてください。セクション4.8に従って、漏れを確認してください。

- 7.7 エレメント交換後は、必ず、差圧装置をリセットしてください。真ちゅう製の視覚および電気スイッチおよびステンレス鋼製の電気スイッチは自動的にリセットされません。システムが正常な動作温度に達したとき、電気スイッチおよび/または視覚警告ボタンプラグが作動していないことを確認してください。コールドスタート条件により視覚インジケータが作動する場合は、セクション6に従って再度リセットしてください。

8 保証、責任と救済の制限

ここに記載されている場合を除き、商品性または特定の目的への適合性の保証は一切ありません。また、明示的にも黙示的にも他の保証はありません。

販売者からの納品日から12か月、または、3000時間の使用のいずれか最初に発生した期間(以下、「保証期間」といいます)、販売者は、販売者が定格、仕様、設計条件に従って、正しく設置、維持、動作させた場合、材料および製造上の欠陥がないことを保証します。説明のためであり、限定するものではありませんが、販売者は、フィルタエレメントの寿命を保証するものではありません。これは、フィルタエレメントが販売者のコントロールを超えており、フィルタが取り付けられているシステムの状態に依存するためです。

保証の対象となる販売者の責任(販売者の裁量により)は、交換(積出港本船運賃価格)、保証期間中に欠陥が発生した製品の修理または返金に限定されるものとします。購入者は、速やかに販売者にクレームを書面で通知し、販売者に欠陥品であると主張した製品を検査・試験する機会を提供するものとします。購入者は、商品の請求書原本の写しを販売者に提供し、商品を販売者の工場または販売者が指定する他の施設に返却するために、すべての運送料を前払いするものとします。すべてのクレームには、適用される場合、システムの動作条件を含むすべての詳細を添付するものとします。

販売者は、販売者または販売者の正規販売代理店を除いて、販売者の工場外で変更された製品については責任を負わないものとします。また、後者については、販売者の書面による指示に従って販売代理店により組み立てられた製品についてのみ、責任を負うものとします。販売者は、誤用、乱用、不適切な設置、適用、操作、保守または修理、改造、使用中の事故または過失、保管輸送または取り扱いが行われた製品について責任を負わないものとします。

販売者は、製品の製造、梱包、配送、保管、使用、誤用、または非使用、またはその他の原因に起因するかどうかにかかわらず、いかなる偶発的、派生的またはその他の損害について責任を負わないものとします。

9 部品リスト

リスト	説明	数量
1	フィルタヘッド	1
2	ボウル	1
3	Oリング (ヘッド～ボウル)	1
4	インジケータまたはポートブラグキット (図示せず)	1
5	ブリード/ドレインプラグ UR219 * A (SAEポート) UR219 * C (BSPポート)	2
6	フィルタエレメント	1
7	アダプタエレメント	1

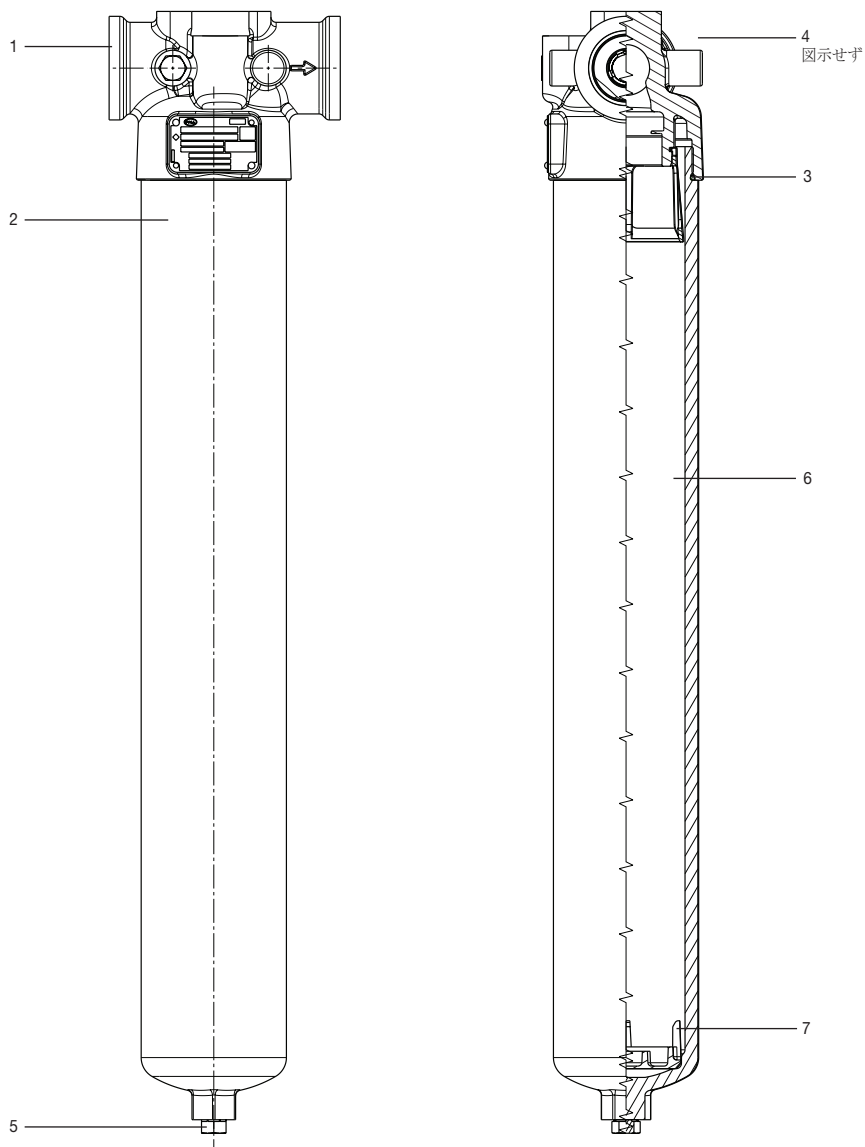
UR210

戻りラインフィルタ

UR210 シリーズ

アフターサービス説明書

図2



UR210

戻りラインフィルタ

UR210 シリーズ

アフターサービス説明書



Pall Corporation

25 Harbor Park Drive
Port Washington, NY 11050
+1 516 484 3600 電話
+1 800 289 7255 フリーダイヤル (米国)

Portsmouth - UK
+44 (0)23 9233 8000 電話
+44 (0)23 9233 8811 FAX
www.pall.com/contact




**Better Lives.
Better Planet.SM**

ウェブサイト(www.pall.com)をご覧ください

Pall Corporationは、世界中にオフィスと工場を有しています。お住まいの地域のPall 代理店については、www.pall.com/contact をご覧ください。

ここに記載された製品、システム、および/またはサービスに関連する技術開発のため、データおよび手順は予告なしに変更されることがあります。この情報が有効であることを確認するには、Pall代理店またはwww.pall.comでご確認ください。

© Copyright 2019, Pall Corporation. Pallおよび  は、Pall Corporationの商標です。

® は、米国で登録された商標を示します。Better Lives.Better Planet and Filtration.Separation.Solution.SMは、Pall Corporationのサービスマークです。



Pall Corporation

UR210

UR210 시리즈



KR UR210 서비스 지침

서비스
지침

서비스 지침

M&ESIUR210KRc

Filtration. Separation. Solution.SM

리턴 라인 필터

1 사양

하우징 재질:

헤드 및 볼: 알루미늄 합금, 페인트 처리된 외부 마감

최대 작동 압력:

41 bar (600 psi)

보통 압력:

62 bar (900 psi)

최소 파열 압력:

165 bar (2400 psi)

엘리먼트 통과:

UE210 엘리먼트 10bar(150psid) 차등 최소

작동 온도 범위:

-29° C-120° C(-20° F-250° F) 석유 기반 및

특정 합성 유체용 플루오르카본 셀 포함

60° C(140° F) 최대, HWCF, 워터 오일 에멀전

또는 워터 글리콜

바이패스 밸브 설정 옵션:

1.7 ± 0.2bard (25 ± 3psid) 크래킹 압력

4.5 ± 0.5bard (65 ± 7psid) 크래킹 압력

주의:

최대 서지 플로우는 정상 플로우의 1.3배를 초과할 수 없습니다.

필:

플루오르카본

실제 작동 조건은 사용자가 확인을 통해 엘리먼트, 하우징 및 모든 씰이 유체와 응용 분야와 호환되며, 현지 안전 규약 범위 내에 있도록 해야 합니다. 추가 정보가 필요한 경우 Pall 또는 승인된 유통업체에 문의하십시오.

2 장비 수령

필터 하우징 및 모든 옵션 장비는 고객이 조립할 수 있도록 개별 포장됩니다. 포장을 조심스럽게 풀고 옵션 품목이 잘못 포장되어 폐기해야 하지 않는지 확인합니다.

3 전반적인 정보 소스

3.1 크기, 작동 파라미터, 어셈블리/엘리먼트 부품 번호, 주문 정보, 참고 사항, 성능 데이터 및 사양은 데이터 시트를 참조합니다.

3.2 이 장비는 European Pressure Directive 97/23/EC에 규정된 가이드라인에 따라 평가되었으며, S.E.P.(Soud Engineering Practice) 내에서 분류되었습니다. 이로써 본 장비는 3항 섹션 3의 요구 사항을 충족하므로, 지침 요구 사항을 충족함을 선언하는 바입니다. 이 지침 조항 하에 필터 어셈블리는 그룹 2 유체로 사용할 경우에만 적합합니다.

3.3 외부 화제 등 합리적으로 예측 가능한 조건에서 허용되는 한도를 초과할 수 있으며, 고객은 연결 유체 시스템 내에서 적합한 보호 장치를 설치해야 합니다.

4 하우징 설치

4.1 필터는 어느 방향으로든 설치할 수 있지만 권리의 편이성을 위해 볼이 아래쪽을 향하게 하여 세로로 설치하는 것이 좋습니다.

4.2 엘리먼트를 제거하는 데 필요한 최소 간격은 다음과 같습니다.

모든 길이에 대해 76.2mm(3")입니다. UR210 하우징은 필터 엘리먼트 없이 공급됩니다. 엘리먼트 설치 및 수리 절차는 섹션 7을 참조하십시오.

4.3 나사산이 있는 차압 장치는 고정 시 토르크를 40lbf 또는 54Nm으로 조여야 합니다. 모든 시각 표시기는 명확하게 보아야 합니다.

참고: UR210 헤드는 기계식 차압 경고 장치 포트가 함께 제공되는데, 플라스틱 시핑 플러그에 고정되어 있습니다. 차압 경고 장치가 주문되지 않은 경우, 시핑 플러그를 제거하고 'B' 타입 블랭킹 플러그(HA9000-A104Z)로 교체하고, 토르크를 40lb/ft 또는 54Nm로 조여야 합니다.

참고: 규격화된 크기 -O14-O-링을 더 낮은 O-링 그루브에 처음 설치하지 않고 이 포트에 포트 플러그를 두지 마십시오. 그럴 경우 소형 바이패스 플로우가 필터 엘리먼트의 오염 물질을 흘러내리게 됩니다.

주의:

경고 장치 포트가 설치되지 않은 이상 필터를 작동해서는 안 됩니다.

4.4 필터 어셈블리를 4개의 5/16-18('A' 포트) 또는 M8 x 1.25(C 포트) 볼트를 사용하여 헤드 마운트 패드에 있는 홀에 맞게 마운팅합니다. 토크 볼트: 10-14ft/lb 또는 14-19Nm.

4.5 역류할 가능성이 있는 경우 확인 밸브 다운스트림을 사용합니다.

4.6 추가 파이핑/밸빙을 사용하여 필터 하우징을 설치함으로써 시스템 중료 없이 필터 유지 보수를 해야 할 경우 완벽한 필터 어셈블리 바이패스가 가능하도록 합니다. 이 시리즈는 듀플렉스 또는 서비스 바이패스 구성으로는 제공되지 않습니다.

주의:

필터 엘리먼트를 통해 역류가 발생하면 손상이 유발됩니다.

참고: 외부 부하를 최소화하기 위해 파이핑 지지가 실행 가능한 대로 포트 연결에 최대한 가깝게 제공되어야 합니다. 이 필터 어셈블리는 전자적으로 사용자 접지 시스템에서 고립되지 않아야 합니다. 이 필터 어셈블리는 사용자 접지 시스템을 주입구/배출구 연결 중 하나에 연결하여 접지해야 합니다.

4.7 라인 또는 호스를 하우징 주입구 및 배출구 포트에 연결합니다.

경고:

명판에 부품 번호로 표시되어 있으며, 데이터 시트에 고지된 것과 동일한 등급 부품과 호환되는 장치 또는 어댑터를 사용하십시오. 올바르게 사용하지 않는 장치 또는 어댑터를 사용하면 필터 하우징 또는 미니폴드에 장애가 발생하여 압력이 손실되고 시스템 장애 또는 인적 상해로 이어질 수 있습니다.

참고: 필터 하우징 페인팅은 선택 사항입니다. 필터 하우징 코팅은 페인팅 베이스로 적합합니다. 하우징 페인팅을 적용할 경우 차압 경고 장치와 명판을 덮으십시오.

- 4.8 필터 상부의 벤트 플러그(5)를 한 바퀴 반 돌려 필터를 블리딩합니다. 모든 공기가 플러그를 통해 블리딩될 때까지 시스템을 조그하고 필터를 채운 후 토르크를 12ftlb 또는 16Nm로 플러그를 조입니다. 시스템에 완전히 압력을 가하고 새는 곳이 없는지 확인합니다. 누출이 발생하면 경우 섹션 5를 참조하십시오.

주의:
필터 하우징을 적절하게 블리딩하지 못하면 옹해된 시스템 유체의 공기 내용물이 증가하여 유체 수명을 단축하고 시스템에 다른 문제를 야기할 수 있습니다.

5 전기 점검

- 5.1 Pall 필터는 일반적으로 차압 경고 장치의 주기적인 모니터링을 제외하고는 특별한 주의가 필요하지 않습니다. 6개월 이내마다 필터 엘리먼트 교체 시기를 정하고 사용 가능한 예비 엘리먼트를 충분히 공급해 둡니다.
- 5.2 외부 누출이 발견되면 누출된 부위에 O-링을 교체하십시오. 누출이 계속되면 필링 표면에 흡집이나 균열이 있는지 확인하고 결함이 있는 부품이 있으면 교체합니다.
- 5.3 차압 장치는 엘리먼트가 변경되어야 할 때 또는 '콜드 스타트' 조건에서 유체 점성이 높을 경우 작동합니다. '콜드 스타트' 조건이 있을 경우 섹션 6.2 및 6.3을 참조하십시오.
- 5.4 더티 시스템은 특히 Pall 고효율 필터 미디어가 있으면 낮은 필터 엘리먼트에 빠르게 연결할 수 있습니다. 엘리먼트 수명을 안정화하기 위해 처음에 엘리먼트를 한두 개 변경해야 할 수 있습니다. 필터 사이즈가 작을 경우 엘리먼트 수명이 짧거나 차압이 지나치게 높을 수 있습니다. 제품 설명서의 크기 및 선택 섹션을 참조하거나 현지 Pall 담당자에게 문의하십시오.
- 5.5 엘리먼트 변경 라벨이 깨끗하고 손상되지 않은 상태인지 확인합니다. 관독이 불가능 라벨은 적합한 새 라벨로 교체합니다.

6 차압 장치

제품 설명서에 크기, 작동 파라미터, 부품 번호 지정 방식, 주문 정보 및 사양에 대한 테퍼런스를 작성해야 합니다.

- 6.1 차압 장치는 엘리먼트가 변경되어야 할 때 또는 '콜드 스타트' 조건에서 유체 점성이 높을 경우 작동합니다.
- 6.2 '콜드 스타트' 시 스테인리스 스틸 시각 표시기가 고정되어 있고 작동할 경우(빨간색 버튼이 5mm, 3/16" 연장됨), 정상 작동 온도에 도달하면 이 버튼을 눌러 재설정합니다. 재설정 이후 표시기가 작동할 경우 엘리먼트를 교체합니다. '콜드 스타트' 시 작동 시각 표시기가 고정되어 있고 작동할 경우(표시기 내부 플러그가 빨간색으로 변경됨), 정상 작동 온도에 도달하면 자동으로 재설정됩니다. 정상 작동 온도에 도달한 후에도 표시기가 계속 작동될 경우 엘리먼트를 교체합니다.

참고: 옵션 'P' 시각 표시기에는 써멀 목아웃 및 수동 재설정 기능이 있습니다. 0°C(32°F) 아래에서는 신호가 없으며, 29°C(80°F) 이상에서는 신호가 있습니다.

- 6.3 콜드 스타트 시 전기 스위치가 작동할 경우(예: 빨간색 불빛이 켜짐) 시스템이 정상 작동 온도까지 따뜻해져 신호(빨간불)가 꺼질 때까지 작동을 계속합니다. 이 기능은 작동 절차에서 '에열(Warm Up)'에 대한 표시로 사용할 수 있습니다. 경고 신호(빨간불)가 유지되거나 시스템이 데워졌을 때 나타날 경우 필터 엘리먼트를 교체합니다.
- 6.4 필터 엘리먼트 수명을 효과적으로 모니터링하려면 정표시(초록불) 및 부표시(빨간불) 모두를 사용하는 것이 좋습니다.

전기 연결 및 등급은 선택한 표시기에 따라 다릅니다. 일반값만 아래와 같이 표시됩니다.

110 VAC	=	4A(유도성), 4A(저항성)
220 VAC	=	4A(유도성), 4A(저항성)
28 VDC	=	3A(유도성), 5A(저항성)
48 VDC	=	1A(유도성), 1.5A(저항성)
125 VDC	=	0.25A(유도성), 0.5A(저항성)

최대 돌입 전류 - 24암페어

UL 인증 기관에서는 압력 스위치 정격(마이크로스위치) 옵션을 다음과 같이 나열합니다:

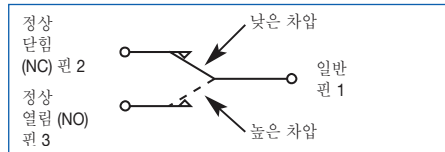
250VAC에서 4암페어
220VDC에서 0.25암페어(저항성)
110VDC에서 0.50암페어(저항성)

전기 차압 스위치 작동:

프리셋 차압이 초과할 경우 정상 닫힘(NC) - 일반에서 정상 열림(NO) - 일반으로 연속성이 전환됩니다.

차압이 프리셋 값 아래로 떨어질 경우 정상 열림(NO) - 일반에서 정상 닫힘(NC) - 일반으로 연속성이 돌아옵니다.

그림 1 - 스위치 회로도



연결 세부 정보는 개별 표시기 옵션을 참조하십시오.

7 필터 엘리먼트 수리

수리하는 동안 필터 어셈블리의 외부 표면이 먼지 침전물을 제거할 수 있도록 깨끗해야 합니다. 수리 시에는 위험하지 않은 적합한 도구를 사용해야 합니다. 폭발이 일어날 수 있는 환경에서는 수리 작업을 수행하지 않아야 합니다.

주의:

필터 엘리먼트는 표시되는 상태에 따라 또는 특정 간격(최대 6개월)으로 교체해야 합니다. 엘리먼트를 변경하지 않으면 필터가 바이패스될 수 있습니다.

해당되는 교체 엘리먼트 시리즈의 품목 번호는 수리 부품 목록(섹션 9)을 참조하십시오. 다음과 같이 엘리먼트를 제거하고 교체합니다.

- 7.1 시스템을 끄고 감압합니다. 필터 상부의 밴드 플러그(5)를 한 바퀴 반 돌려서 엽니다.

경고:

엘리먼트 수리 전에 필터를 감압하지 않으면 폭발적인 유체 손실, 장비 손상 및 인적 상해를 유발할 수 있습니다.

- 7.2 볼의 하부에 있는 드레인 플러그(5)를 열고 볼에서 유체를 적절할 리셉터클에 배출합니다. 플러그를 교체하고 도크를 12ft/lb 또는 16Nm로 드레인 플러그를 조입니다. 아래와 같이 보이면 헤드(1)에서 볼(2)을 시계 방향으로 돌려 나사를 풀고 제거합니다.
- 7.3 엘리먼트 교체(UE210 시리즈): 이미 고정되어 있을 경우 필터 엘리먼트(8)를 제거하고, 눈에 띄는 오염이 없는지 내부 표면을 주의 있게 점검합니다(엘리먼트를 통한 플로우는 안에서 바깥임). 일반적으로 먼지가 보이지 않아야 하지만 먼지나 입자가 눈에 띄면 시스템 구성품 고장에 대한 초기 경고일 수 있습니다. 필터 엘리먼트 및 해당 O-링을 모두 제거합니다. 필터 엘리먼트는 청소할 수 없습니다. 필터 엘리먼트를 청소하려고 시도하면 필터 미더이 상태 악화를 유발하고 오염된 유체가 필터 엘리먼트를 통과하게 할 수 있습니다.

경고:

엘리먼트를 청소하거나 재사용하지 마십시오. 정품 PALL 교체용 필터 엘리먼트만 사용하십시오. 대체품 엘리먼트를 사용하면 제품 보증의 혜택을 받지 못할 수 있습니다.

- 7.4 필터 엘리먼트를 설치하지 않고 시스템을 실행해서는 안 됩니다. 볼(2)과 헤드(1) 사이에 O-링(3)이 손상되지 않았는지 확인합니다. 엘리먼트 엔드캡에 부품 번호로 나와 있는 것과 동일한 교체 필터를 사용합니다.
- 7.5 엘리먼트 O-링을 깨끗한 시스템 유체로 윤활합니다. 셀 어셈블리에 엘리먼트를 다시 설치합니다. 볼에서 헤드로 깨끗한 시스템 유체로 O-링을 가볍게 윤활하고 스프레드가 하부에 부착될 때까지 하우징을 다시 조입니다.
10-14LBFT(13-19Nm)도 조입니다.
- 7.6 모든 공기가 밴드 플러그(7)를 통해 블리딩될 때까지 필터를 채워 필터를 블리딩한 후, 로크를 12lb/ft 또는 16Nm로 밴드 플러그를 조입니다. 섹션 4.8에 따라 누출이 없는지 확인합니다.

- 7.7 엘리먼트 변경 이후 차압 장치가 재설정되었는지 확인합니다. 활동 시간 및 전기 스위치, 그리고 스태빌리시스 스텝 전기 스위치는 자동으로 재설정됩니다. 시스템이 정상 작동 온도에 도달하면 전기 스위치 및/또는 시간 경고 버튼/플래그가 작동하지 않는지 확인하십시오. 로드 스태트 조건으로 인해 시작 표시기가 작동할 경우 섹션 6에 따라 다시 재설정합니다.

8 보증, 책임 제한 및 구제 수단

해당 제품에 대하여 어떠한 특정 목적에의 적합성 또는 상업성도 보증하지 않으며, 여기에서 제공된 사항을 제외한 어떠한 명시적 또는 묵시적 보증도 제공하지 않습니다.

판매자로부터의 배송 날짜를 기준으로 12개월 또는 처음 사용한 후 3,000시간의 기간("보증 기간") 동안 판매자는 판매자가 제조한 제품이 제대로 설치 및 유지 보수되고, 충격, 사양 및 설계 조건에서 작동했을 때 재료상 및 기술상 결함이 없음을 보증합니다. 필터 엘리먼트의 서비스 수명은 판매자의 통제 밖 사항이며 필터가 설치되는 시스템 조건에 따라 달라지므로, 판매자는 이에 대해 어떠한 보증도 하지 않습니다.

보증 하에 판매자가 지는 책임은 (판매자의 재량에 따라) (FOB 원래 배송 지점) 보증 기간 동안 결함이 발생하게 된 제품에 대해 교체, 수리 또는 크레딧 발행으로만 제한됩니다. 구매자는 요청 사항이 있으면 판매자에게 서면으로 즉각 알리고 판매자에게 결함으로 인해 요청된 제품을 점검하고 테스트할 기회를 제공해야 합니다. 구매자는 판매자에게 제품의 원본 이모비스 사본을 제출하고 모든 운송 대금을 미리 지급하여 제품을 판매자의 공장 또는 판매자가 지정한 다른 시설로 반송해야 합니다. 모든 요청은 시스템 작동 조건(해당하는 경우) 등 상세 정보 전체가 수반되어야 합니다.

판매자는 판매자 또는 판매자의 공인 유통업체에 의한 변경이 아닌, 판매자의 공장 외에서 변경된 제품에 대해서는 책임을 지지 않습니다. 공인 유통업체의 경우 판매자가 작성한 지침에 따라 해당 유통업체가 조립한 제품에 대해서만 책임을 집니다. 또한 판매자는 오용, 남용, 부적절한 설치, 적용, 작동, 유지 보수 또는 수리, 변경, 사고 또는 사용, 보관 손상 또는 취급상 과실에 해당하는 제품에 대해서는 책임을 지지 않습니다. 판매자는 어떠한 경우에도 해당 제품의 제조, 포장, 배송, 보관, 사용, 오용, 미사용 또는 기타 다른 원인으로 발생하였거나 이와 연관된 손상, 사고, 결과에 대해서는 책임을 집니다.

9 부품 목록

목록	설명	수량
1	필터 헤드	1
2	볼	1
3	O-링(헤드 두 볼)	1
4	표시기 또는 포트 플러그 키트(표시되지 않음)	1
5	블리드/드레인 플러그 UR219*A(SAE 포트) UR219*C(BSP 포트)	2
6	필터 엘리먼트	1
7	어댑터 엘리먼트	1

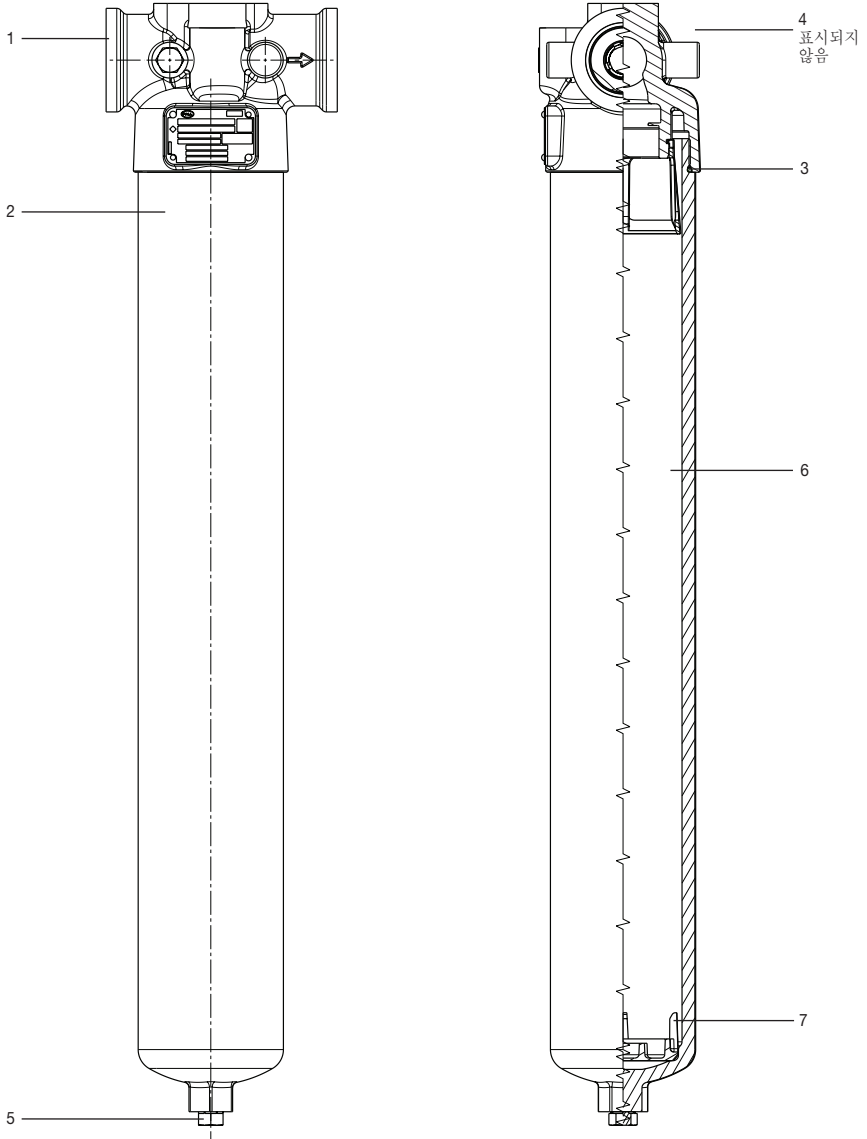
UR210

리턴 라인 필터

UR210 시리즈

서비스 지침

그림 2



UR210

리턴 라인 필터

UR210 시리즈
서비스 지침

UR210

리턴 라인 필터

UR210 시리즈
서비스 지침



Pall Corporation

25 Harbor Park Drive
Port Washington, NY 11050
+1 516 484 3600 전화
+1 800 289 7255 수신자 부담 전화(미국)

Portsmouth - UK
+44 (0)23 9233 8000 전화번호
+44 (0)23 9233 8811 팩스
www.pall.com/contact




**Better Lives.
Better Planet.SM**

웹사이트(www.pall.com)를 방문해 주십시오.

Pall Corporation은 전 세계에 지사 및 공장 설비를 보유하고 있습니다. 가까운 Pall 대리점은 www.pall.com/contact에서 확인하실 수 있습니다.

제품, 시스템 및/또는 서비스와 관련된 기술 발전이 지속적으로 이루어지는 관계로, 본 설명서에서 설명된 데이터와 절차는 사전 통보 없이 변경될 수 있습니다. 이 정보가 아직 유효한지 확인하시려면 Pall 대리점에 문의하시거나 www.pall.com을 방문해 주시기 바랍니다.

© Copyright 2019, Pall Corporation. Pall 및 은 Pall Corporation의 상표입니다.
Ⓜ은 미국에 등록된 상표임을 의미합니다. 삶의 질이 향상됩니다. 보다 살기 좋은 지구와 여파. 분리. Solution.sm은 Pall Corporation의 서비스 마크입니다.