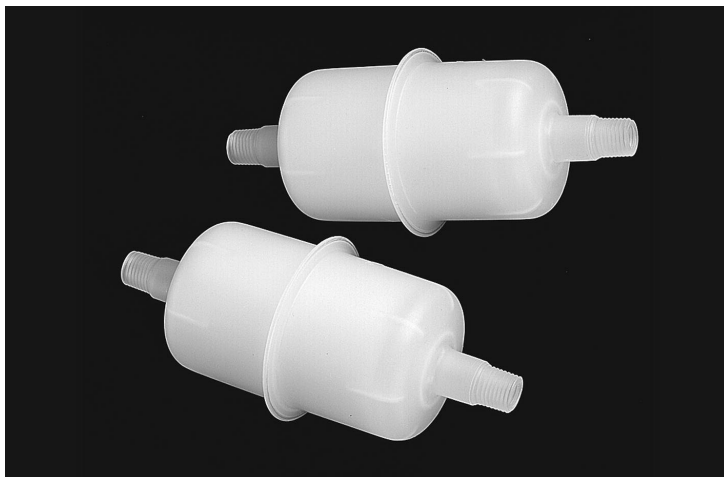




CMP Profile® II Filter Capsules



Description

CMP Profile II Filter Capsules are designed for the filtration of both oxide and metal slurries at chemical mechanical polishing (CMP) tools.

- Compact completely disposable capsule consists of an all polypropylene Profile II filter element in a heat-welded polypropylene shell.
- Profile II filter elements are technologically advanced depth filters with absolute removal ratings. The unique construction with built-in prefiltration assures long service life and consistent high level performance with neither breakthrough of contaminants nor shedding of filter medium.
- The availability of absolute filter removal ratings, from 1 μm to 70 μm assures selection of the capsules to match the range of CMP slurries.
- CMP capsules retain aggregated material and foreign matter and have not been shown to alter slurry polishing characteristics.

Specifications

Materials

- Medium: Continuous polypropylene filament
- Core: Polypropylene
- Shell: Polypropylene

Removal Ratings

- 1 μm , 3 μm , 5 μm , 10 μm , 20 μm , 40 μm , and 70 μm
(Profile filter removal ratings can be 5 – 10 times finer than traditional ratings for depth filters.)

Operating Conditions¹

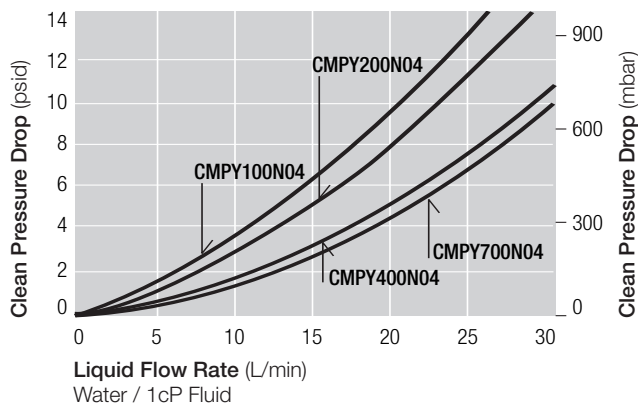
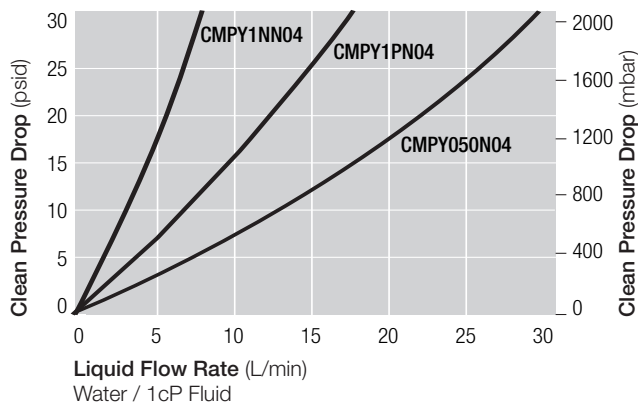
- Maximum Pressure: 100 psid/7 bar @ 100°F / 40°C
- Maximum Differential Pressure: 60 psid/4 bar @ 77°F / 25°C
30 psid/2 bar @ 140°F / 60°C
- Maximum Temperature: 140°F / 60°C @ 60 psi / 4 bar

Connections

- Inlet/Outlet: ¼" NPT

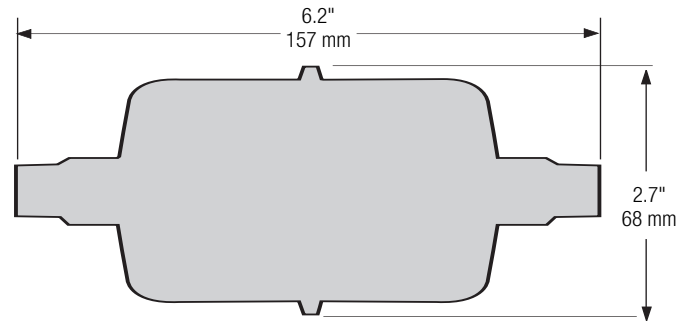
¹ Recommendations are based on long term tests in water. Compatibility with other fluids must be checked before use.

CMP Capsule Pressure Drop²



² For liquids with viscosities differing from water, multiply the pressure drop by the viscosity in centipoise.

Dimensions



Part Numbers / Ordering Information

Part Number	Removal Rating (μm)	Connection
CMPY1NN04	1	1/4" NPT
CMPY1PN04	3	1/4" NPT
CMPY050N04	5	1/4" NPT
CMPY100N04	10	1/4" NPT
CMPY200N04	20	1/4" NPT
CMPY400N04	40	1/4" NPT
CMPY700N04	70	1/4" NPT

Unit conversion: 1 bar = 100 kilopascals



25 Harbor Park Drive
Port Washington, New York 11050

1.800.360.7255 toll free (only in US)
1.516.484.3600 phone
1.516.625.3610 fax
microelectronics@pall.com

Filtration. Separation. Solution.SM

Visit us on the Web at www.pall.com/micro

Pall Corporation has offices and plants throughout the world.

© Copyright 2008, 2004, Pall Corporation. Pall and are trademarks of Pall Corporation. ® Indicates a Pall trademark registered in the USA. Filtration. Separation. Solution.SM is a service mark of Pall Corporation.