



Gasket-Sert™ PSP Filter



Description

The Gasket-Sert PSP filter is designed to protect major components of gas panels employed in semiconductor gas distribution systems.

- True in-line design and easy installation
- Alignment retainer for ease of installation
- Fits in place of standard ¼" VCR¹ or ¼" UJR compatible gasket
- Broad compatibility with process gases
- Low differential pressure
- All 316L stainless steel construction
- Dried with high purity nitrogen
- Cleanroom packaged
- No hold-up volume
- No particle contribution above background
- No housing required
- Retrofit of existing panels without reconfiguring of systems
- Zero displacement
- Protection for regulators and MFCs

Specifications

Materials

- Medium and gasket: 316L stainless steel

Removal Rating

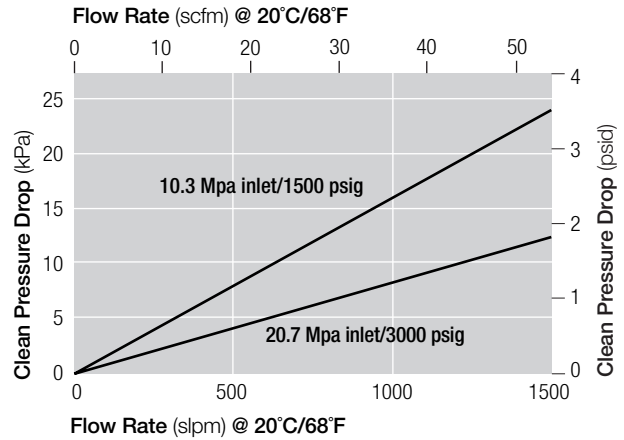
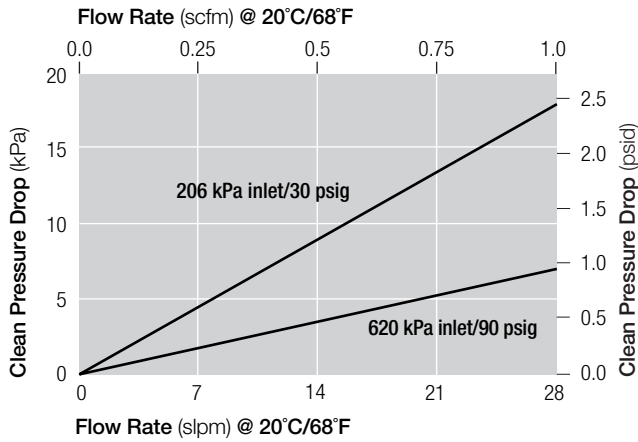
- $\geq 0.4 \mu\text{m}$ at 99.9% efficiency

Operating Conditions

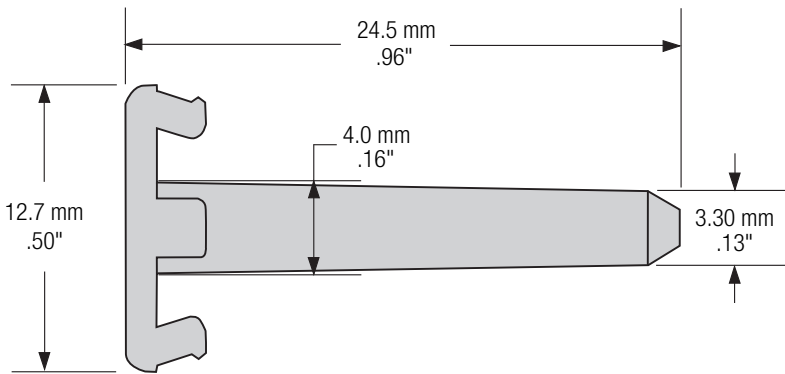
- Recommended flow range:
0-28 slpm / 0-1 scfm
- Maximum operating temperature:
Inert gases: 300°C / 572°F
Anhydrous corrosive gases:
30°C / 86°F
- Maximum differential pressure:
Inside out:
690 kPa @ 20°C / 100 psid @ 68°F
Outside in:
1380 kPa @ 20°C / 200 psid @ 68°F

¹ VCR is a trademark of Swagelok Co.

Pressure Drop vs. Gas Flow Rate



Dimensions



Part Numbers/Ordering Information

Part Number	Material of Construction	Fitting Type
CNF1104USG4	All 316L stainless steel	¼" VCR or ¼" UJR

Unit conversion: 1 bar = 100 kilopascals



Microelectronics

25 Harbor Park Drive
Port Washington, New York 11050 USA

1.800.360.7255 toll free (Only in US)
1.516.484.5400 phone
1.516.625.3610 fax

Filtration. Separation. Solution.SM

Visit us on the Web at www.pall.com/micro

Pall Corporation has offices and plants throughout the world in locations including: Argentina, Australia, Austria, Belgium, Brazil, Canada, China, France, Germany, Hong Kong, India, Indonesia, Ireland, Italy, Japan, Korea, Malaysia, Mexico, the Netherlands, New Zealand, Norway, Poland, Puerto Rico, Russia, Singapore, South Africa, Spain, Sweden, Switzerland, Taiwan, Thailand, United Kingdom, United States, and Venezuela. Distributors are located in all major industrial areas of the world.

© Copyright 2006, Pall Corporation. Pall, PALL, and Gasket-Sert are trademarks of Pall Corporation. ® Indicates a Pall trademark registered in the USA. Filtration. Separation. Solution.SM is a service mark of Pall Corporation.