

Ultipleat® PK Gas Filter

Description

The Ultipleat PK gas filter is designed for clean dry air and nitrogen applications in the LCD, semiconductor and photovoltaic industries. It is rated for flows up to 10,000 SLPM (353 SCFM).

Product Features

- Unique Ultipleat filter construction
- Single open-ended cartridge with U-cup seal
- High particle retention
- Exceptionally high flow rates
- Low differential pressure
- 100% integrity tested

Product Benefits

- Ultipleat filter construction allows for high-flows at the point-of-use (POU) where space is limited.
- Compact design enables efficient filter changeouts, thereby reducing equipment downtime.

Specifications

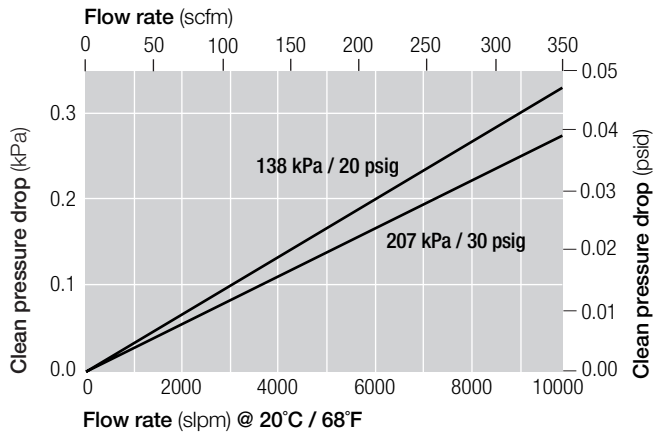
Materials	<ul style="list-style-type: none"> • Medium: PTFE • Support: Polypropylene • Cage and end caps: Polypropylene • U-cup: EPR
Removal Rating	<ul style="list-style-type: none"> • ≥ 3 nm in gas service
Typical Filter Area	<ul style="list-style-type: none"> • 1.8 m² / 19.4 ft²
Operating Conditions	Maximum operating temperature <ul style="list-style-type: none"> • 50°C / 122°F Maximum differential pressure <ul style="list-style-type: none"> • 0.41 MPa @ 20°C / 60 psid @ 68°F • 0.20 MPa @ 50°C / 30 psid @ 122°F



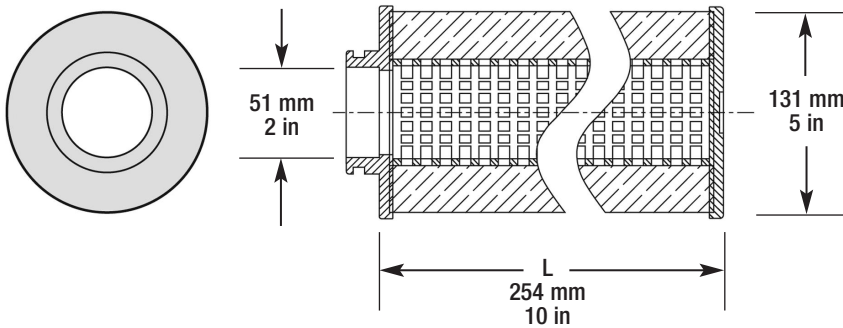
Filter Housings

Ultipleat PK gas stainless steel filter housings are available in a wide variety of connection sizes and types, surface finishes, and code requirements to meet your specific needs. Please contact your local Pall representative to discuss the appropriate housing for your application.

Pressure Drop vs. Air Flow Rate



Nominal Dimensions



Part Numbers / Ordering Information

Part Number	Nominal Length	Seal
UPK510FGJU	254 mm / 10 in	EPR (U-cup)



Pall Corporation

Microelectronics

25 Harbor Park Drive
 Port Washington, NY 11050
 +1 516 484 3600 telephone
 +1 800 360 7255 toll free US

Pall Korea Ltd.

4th Floor Il-dong Bldg. 968-5
 Daechi-3dong, Gangnamgu
 Seoul, 135-736 Korea
 82.2.560.7858 Phone
 82.2.560.7890 Fax

Nihon Pall Ltd

6-8-1, Nishishinjuku, Shinjuku-ku,
 Tokyo 163-6017 Japan
 81.3.6901.5700 Phone
 81.3.5322.2109 Fax

Visit us on the Web at www.pall.com/micro

Pall Corporation has offices and plants throughout the world. For Pall representatives in your area, please go to www.pall.com/contact.

Because of technological developments related to the products, systems, and/or services described herein, the data and procedures are subject to change without notice. Please consult your Pall representative or visit www.pall.com to verify that this information remains valid.

© Copyright 2011, 2006, Pall Corporation. PALL, and Ultipleat are trademarks of Pall Corporation.

® Indicates a Pall trademark registered in the USA. Filtration. Separation. Solution.SM is a service mark of Pall Corporation.