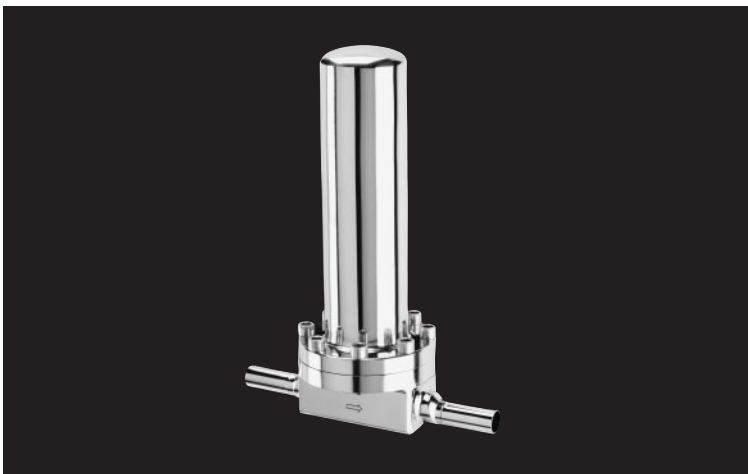


AETE Filter Housing



Description

The AETE series filter housings are designed for the filtration of inert, non-toxic gas with flows up to 250 scfm/150 m³/h.

- Typical applications include Ar, N₂, He, and CDA
- Two bowl lengths available
- Flow rates up to 250 scfm/150 m³/h
- High pressure rating
- Cleaned and packaged in a cleanroom
- Accepts low pressure drop Code 7 cartridge (due to larger core diameter)

Specifications

Materials

- 316L electropolished stainless steel
- 16 μin / 0.4 μm R_a internal surface finish, or 10 μin / 0.25 μm R_a
- Fluorocarbon seal

Connections

- 1" Butt Weld (0.065" / 1.65 mm wall)

Bowl Sizes

- 10" / 254 mm, or 20" / 508 mm

Element Adapter

- Code 7 (226 double O-ring bayonet lock, finned element)

Closure

- Bolted Closure

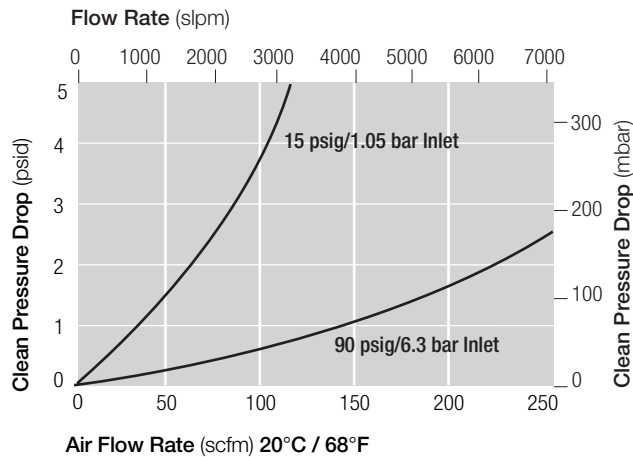
Operating Conditions

- Design Pressure 580 psig/40 bar
- Design Temperature 194°F / 90°C

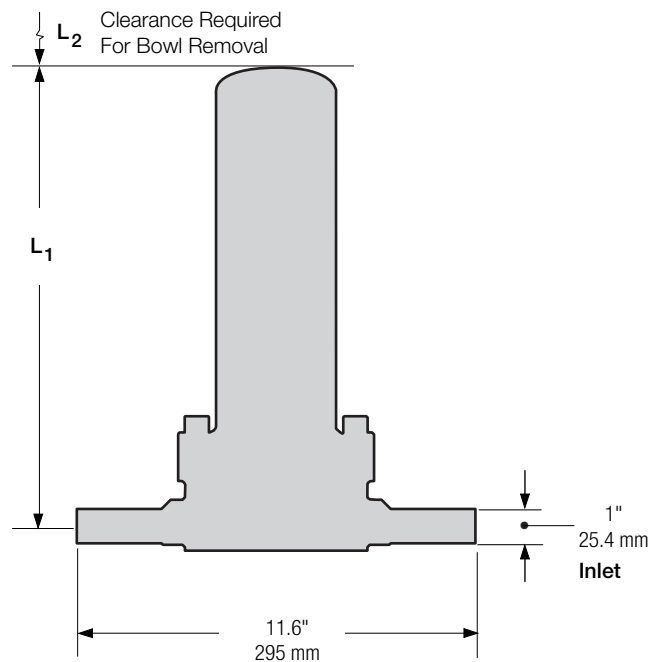
Leak Rating

- Helium Leak Tested to 1x10⁻⁷ atm·cm³/s

Pressure Drop vs. Gas Flow Rate



Dimensions



Part Numbers / Ordering Information

Part Number	Cartridge Length (in / mm)	L_1 (in / mm)	L_2 (in / mm)	Surface Finish (R_a) (μm / μm)
AETE11G7039-16	10 / 254	14.6 / 370	12.2 / 310	16 / 0.4
AETE12G7039-16	20 / 508	24.4 / 620	22.0 / 560	16 / 0.4
AETE11G7039-10	10 / 254	14.6 / 370	12.2 / 310	10 / 0.25
AETE12G7039-10	20 / 508	24.4 / 620	22.0 / 560	10 / 0.25

Unit conversion: 1 bar = 100 kilopascals



Microelectronics

2200 Northern Boulevard
East Hills, New York 11548-1289 USA

1.800.360.7255 toll free (Only in US)
1.516.484.5400 phone
1.516.625.3610 fax

Filtration. Separation. Solution.SM

Visit us on the Web at www.pall.com/micro

Pall Corporation has offices and plants throughout the world in locations including: Argentina, Australia, Austria, Belgium, Brazil, Canada, China, France, Germany, Hong Kong, India, Indonesia, Ireland, Italy, Japan, Korea, Malaysia, Mexico, the Netherlands, New Zealand, Norway, Poland, Puerto Rico, Russia, Singapore, South Africa, Spain, Sweden, Switzerland, Taiwan, Thailand, United Kingdom, United States, and Venezuela. Distributors are located in all major industrial areas of the world.

© Copyright 2004, Pall Corporation. Pall, are trademarks of Pall Corporation. ® Indicates a Pall trademark registered in the USA. Filtration. Separation. Solution.SM is a service mark of Pall Corporation.

H66a