

Description

The DFA - EZ compact filter capsule assembly is designed for small volume processing. The configuration allows for quick, safe and simple filter change-outs and easy maintenance. It is ideally suited for point-of-use filtration of photoresists, various slurries and other compatible liquids.

Features

- In-line flow path with minimal dead space
- One-step quick disconnect filter replacement
- The Profile® depth filter media is ideally suited for the removal of gels, aggregates and oversize particles
- Capsule design prevents incorrect orientation and installation
- Nozzle connections can be readily removed for cleaning
- Compact size
- Ease of use minimizes down-time
- Minimizes operator exposure to solvents
- Small footprint permits installation in narrow confines



Materials of Construction

Filter Capsule

Components	Materials
Filter Media	Polypropylene
Support and Drainage	Polypropylene
Core, Cage and End Caps	Polypropylene
Housing	Polypropylene
O-ring Options	EPDM, Perfluoroelastomer

Head Manifold

Components	Materials
Frame	SUS 304 (FEP coated)
Connection Nozzles	Polyethylene



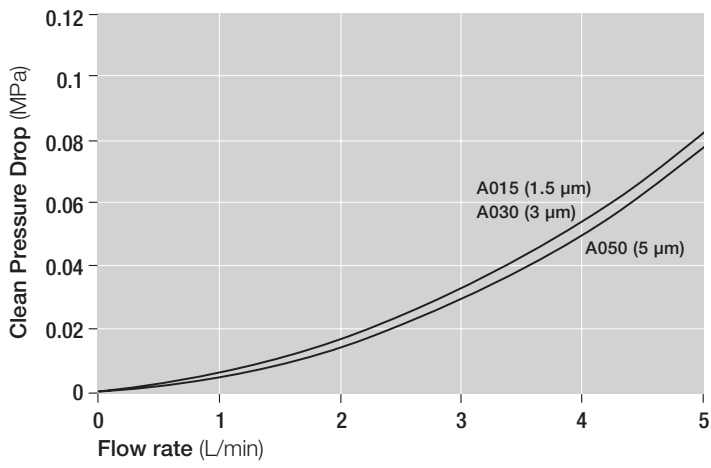
Specifications

Removal Ratings	1.5 µm, 3 µm, 5 µm	
Maximum Operating Temperature	38 °C / 100 °F	
Maximum Operating Pressure	0.19 MPaG @ 38 °C / 145 psig @ 100 °F	
Maximum Differential Pressure	0.19 MPa @ 38 °C / 145 psi @ 100 °F	
Connections (Inlet / Outlet, Vent)	Inlet / Outlet	Vent / Drain
	6 mm Swagelok ² compatible	6 mm Swagelok compatible
	1/4" Swagelok compatible	1/4" Swagelok compatible

¹ This product is only available in Asia.

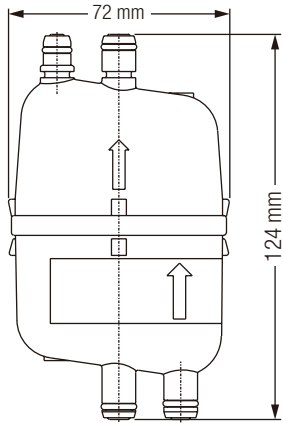
² Swagelok is a trademark of Swagelok Co.

Typical Flow Characteristics – 1 cP fluid, 20 °C

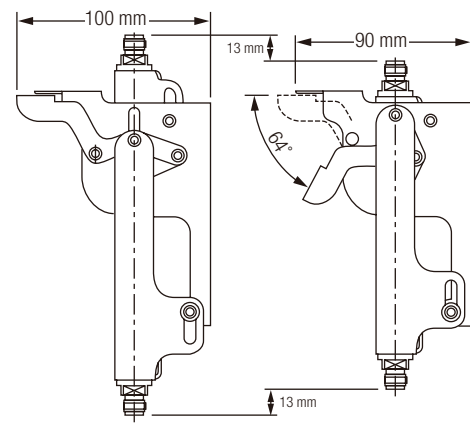
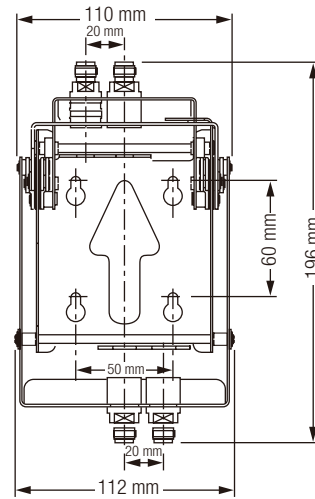


Dimensions

Filter Capsule



Head Manifold



Part Numbers / Ordering Information

Filter Capsules

DEZ1 1 F 2

Table 1

Code	Filter Media	Removal ratings
A015	Profile Star (Polypropylene)	1.5 µm
A030		3 µm
A050		5 µm

Table 2

Code	O-ring materials
J	EPDM
H23	Perfluoroelastomer

Head Manifold

DH1 3

Table 3

Code	Inlet / Outlet	Vent / Drain
SW66M	6 mm Swagelok compatible	6 mm Swagelok compatible
SW44	1/4" Swagelok compatible	1/4" Swagelok compatible

Spare Parts (Connection Nozzles)³

F-DH- 3

³ Connection nozzles contain all 4 pieces for inlet, outlet, vent and drain.

Representative example part numbers

(Filter Capsules)	(Head Manifold)	(Spare Parts)
DEZ1A015FJ	DH1SW66M	F-DH-SW66M
DEZ1A015FH23	DH1SW44	F-DH-SW44
DEZ1A030FJ		
DEZ1A030FH23		
DEZ1A050FJ		
DEZ1A050FH23		

Caution: For optimal filtration performance, it is recommended to replace your filters at-least once a year. Annual replacements will reduce the potential of any leakages that may result due to prolonged chemical exposure. Pall warrants its filters for a period of 1 year from the date of shipment.



Microelectronics

25 Harbor Park Drive
Port Washington, NY 11050
+1 516 484 3600 telephone
+1 800 360 7255 toll free US

Nihon Pall Ltd.

6-5-1, Nishishinjuku,
Shinjuku-ku
Tokyo 163-1325 Japan
+81 3 6901 5700 telephone
+81 3 5322 2109 fax

Visit us on the Web at www.pall.com/microelectronics
Contact us at www.pall.com/contact

Pall Corporation has offices and plants throughout the world. To locate the Pall office or distributor nearest you, visit www.pall.com/contact.

The information provided in this literature was reviewed for accuracy at the time of publication. Product data may be subject to change without notice. For current information consult your local Pall distributor or contact Pall directly.

IF APPLICABLE Please contact Pall Corporation to verify that the product conforms to your national legislation and/or regional regulatory requirements for water and food contact use.

© Copyright 2023, Pall Corporation. Pall,  is a trademarks of Pall Corporation.
® Indicates a trademark registered in the USA.