

PhotoKleen™ EZD Filter Assembly for LCD Color Resist Coating



Data Sheet MEEZDLCDENd

Description

The PhotoKleen™ EZD filter is a compact filter capsule assembly, consisting of a polypropylene head manifold interface and a stainless steel ring nut. This configuration allows for safe and quick, single step filter capsule change-out.

Two polypropylene filter media types, HDC® II and Profile® Star filters and PTFE filter media Emflon are available to optimize your filtration selection.

Profile Star filter's pleated depth medium is especially suited for the removal of agglomerated particles and gels. Its unique deep, wide pleated construction allows for long service life in liquids with high viscosity. In addition its high voids volume enables efficient filtration in liquids with high levels of suspended solids.

The HDC II capsule contains a high area, pleated polypropylene membrane for longer service life and lower pressure drops in some resists.

The Emflon capsule contain a high area pleated PTFE membrane for extend life time and controled initial cleanliness.

Features & Benefits

- Available in two types of polypropylene filter media
- Enhanced yield
- Rapid, one-step disconnect filter replacement
- Ease of use minimizes down-time
- O-ring located on capsule provides for new sealing surface each time capsule is changed
- Capsule design minimizes operator exposure to solvents
- Compact design
- Small footprint permits installation in narrow confines



Materials of Construction

Filter Capsule

Components	Materials
Filter Medium	Polypropylene (Profile Star / HDC II) PTFE (Emflon)
Support	Polypropylene
Housing	High Density Polyethylene (HDPE)
O-ring	EPDM, Perfluoroelastomer

Head Manifold

Components	Materials
Head	Polypropylene
Connections	PTFE / PFA
Collar and Handle	SUS 304

Specifications

	Profile Star	HDC II	Emflon
Removal Ratings (µm)	1, 1.5, 3	2.5, 4.5	5.0
Maximum Operating Temperature	23 °C / 73 °F		
Maximum Operating Pressure	0.39 MPa @ 23 °C / 57 psid @ 73 °F		
Connections (Inlet / Outlet, Vent)	Super type Pillar ¹ fitting, Union type Flowell ² 60 series		

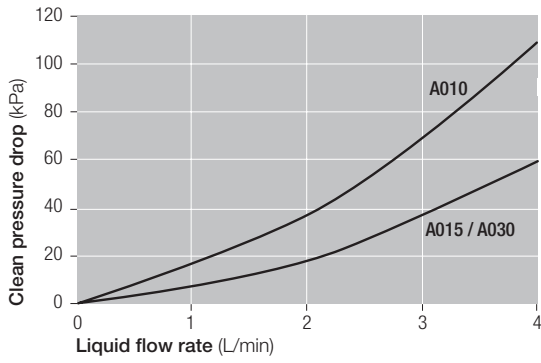
¹ Pillar is a trademark of Pillar Packaing Co., Ltd.

² Flowell is a trademark of Flowell Corporation.

Typical Flow Characteristics - 1cP fluid, 20 °C

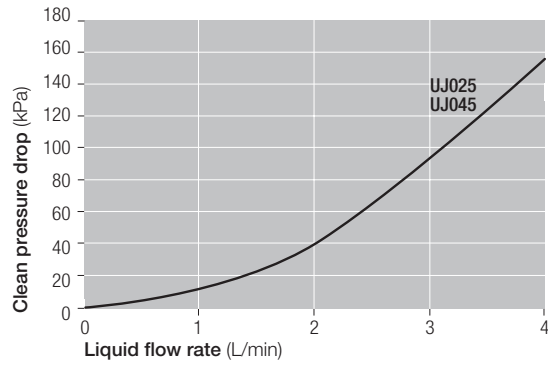
Profile Star Filter Assembly

(PHYGPS44, 1/4" Super Type Pillar fitting)



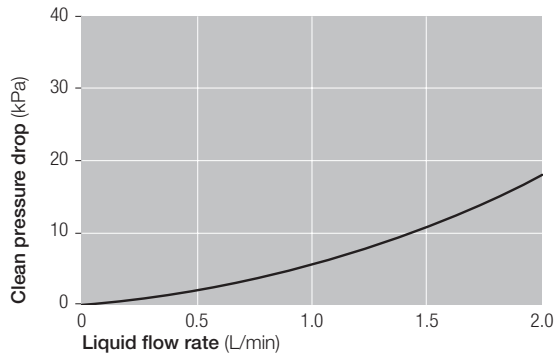
HDC II Filter Assembly

(PHYGPS44, 1/4" Super Type Pillar fitting)



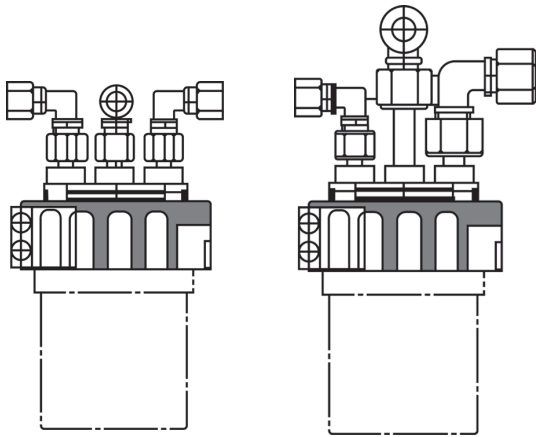
Emflon Filter Assembly

(PHYGPS44, 1/4" Super Type Pillar fitting)



Configuration and Dimension

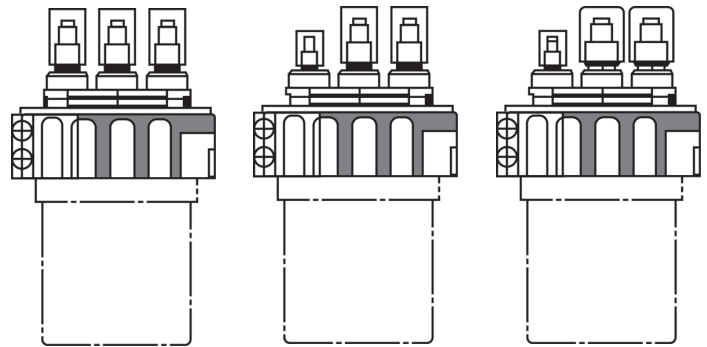
Super Type Pillar fitting



PHYGPS44

PHYGPS64

Flowell 60 Series

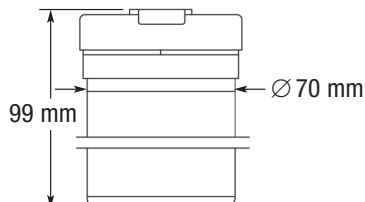


PHYGFS44A
PHYGFS66MA

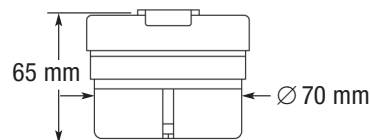
PHYGFS64MA

PHYGFS84MA

Filter Capsule



Dummy Capsule



PHDC1H23

Part Numbers / Ordering Information

Filter Capsules

PHD22 [1](#) [2](#)

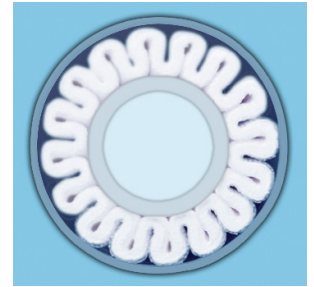
Table 1

Code	Filter Media	Removal Ratings (µm)
A010F		1
A015F	Profile Star (Polypropylene)	1.5
A030F		3
UJ025	HDC II (Polypropylene)	2.5
UJ045		4.5
PCF1E	Emflon (PTFE)	5

Table 2

Code	O-ring Materials
J	EPDM
H23	Perfluoroelastomer

Profile Star Pleated Depth Filter Media



Head Manifold

PHYG [1](#)

Table 1

Code	Inlet / Outlet	Vent
PS44B	1/4" (6.35 x 3.9 mm) Super Pillar Elbow union	1/4" (6.35 x 3.9 mm) Super Pillar Elbow union
PS64B	3/8" (9.53 x 6.3 mm) Super Pillar Elbow union	
FS44B	1/4" (6.35 x 3.9 mm) Flowell 60 Fitting	1/4" (6.35 x 3.9 mm) Flowell 60 Fitting
FS64MB	6 x 4 mm Flowell 60 Fitting	4 x 3 mm Flowell 60 Fitting
FS84MB	8 x 6 mm Flowell 60 Fitting	
FS66MB	6 x 4 mm Flowell 60 Fitting	6 x 4 mm Flowell 60 Fitting

Spare Parts

Product Name	Part Numbers
Dummy Capsule	PHDC1H23

Caution: For optimal filtration performance, it is recommended to replace your filters at-least once a year. Annual replacements will reduce the potential of any leakages that may result due to prolonged chemical exposure. Pall warrants its filters for a period of 1 year from the date of shipment.

Representative example part numbers

(Filter Capsules: Profile Star)	(Head Manifold)	(Dummy Capsule)
PHD22A010FJ	PHYGPS44B	PHDC1H23
PHD22A015FJ	PHYGPS64B	
PHD22A030FJ	PHYGFS44B	
	PHYGFS66MB	
(Filter Capsules: HDC II)	PHYGFS84MB	
PHD22UJ025J		
PHD22UJ045J		
(Filter Capsules: Emflon)		
PHD22PCF1EJN		



Microelectronics

25 Harbor Park Drive
Port Washington, NY 11050
+1 516 484 3600 telephone
+1 800 360 7255 toll free US

Nihon Pall Ltd.

6-5-1, Nishishinjuku,
Shinjuku-ku
Tokyo 163-1325 Japan
+81 3 6901 5700 telephone
+81 3 5322 2109 fax

Visit us on the Web at www.pall.com/microelectronics
Contact us at www.pall.com/contact

Pall Corporation has offices and plants throughout the world. To locate the Pall office or distributor nearest you, visit www.pall.com/contact.

The information provided in this literature was reviewed for accuracy at the time of publication. Product data may be subject to change without notice. For current information consult your local Pall distributor or contact Pall directly.

IF APPLICABLE Please contact Pall Corporation to verify that the product conforms to your national legislation and/or regional regulatory requirements for water and food contact use.

© Copyright 2023, Pall Corporation. Pall, , and PhotoKleen are trademarks of Pall Corporation. ® Indicates a trademark registered in the USA.