

Junior Style Industrial Housings for 2230- and 4463-Style Cartridges

Pall MDS filter housings are recommended for small flow applications involving filtration of liquids or gases. MDS series housings accommodate MC¹ or MD¹ 2230- and 4463-style cartridges, and PFS 4463-style cartridges with liquid flow rates up to 7.5 L/min (2 gal/min) and gas flows up to 100 Nm³/hour (60 scfm) @ 6.9 barg (100 psig).

Features

- High temperature rating based upon O-ring material selected
- High pressure rating
- Easy mounting and change-out
- Dimpled bowl to prevent accidental pressurization
- Electropolished stainless steel for ease of cleaning
- Internal surface finish $\leq 0.4 \mu\text{m Ra}$ (15 $\mu\text{in Ra}$)
- External surface finish $\leq 0.8 \mu\text{m Ra}$ (32 $\mu\text{in Ra}$)
- Manufacturing Quality System certified to ISO 9001 standards

Housing Specifications

Materials of Construction

Housing	316L stainless steel
Design pressure and temperature	10.3 barg (150 psig) and full vacuum at 140 °C (284 °F)

Other Specifications

Number of elements around	1
Number of elements high	1
Cartridge style	2230 / 4463
Legs and support	None
Vent	as selected
Drain	as selected
Closure style	Vee band clamp
ASME code	No
Flow configuration	Tee
Replaceable tube sheet	No

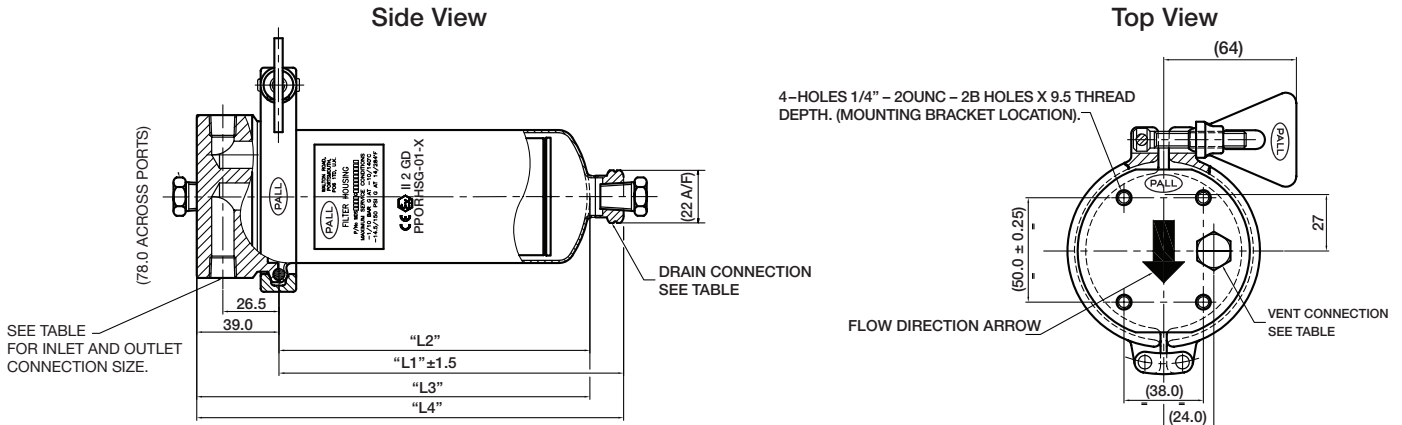
¹ Cartridge hardware: S = stainless; Y = Polypropylene



Dimensional Data (nominal)

Model	Dimensions mm (in)				Weight kg (lb)
	L1	L2	L3	L4	
2230	100 (3.94)	83.9 (3.30)	123.3 (4.85)	139 (5.47)	1.52 (3.35)
4463	165 (6.50)	148.9 (5.86)	188.3 (7.41)	204 (8.03)	1.65 (3.64)

Dimensional Drawings



Ordering Information

Pall Part Number = MDS 1 G 2 3 4 5 6 7

Table 1

Code	Cartridge style
2230	SOE 64 mm (2.5 in) length
4463	SOE 137 mm (5.4 in) length

Table 2

Code	Inlet and outlet connections
N4	1/4" NPT to ANSI B2.1
N8	1/2" NPT to ANSI B2.1

Table 3

Code	Flow direction
None	Normal flow direction (outside to in)
O	Reverse flow (for coalescing)

Table 4

Code	Head connections
F	1/4" NPT to ANSI B2.1
M	1/8" NPT to ANSI B2.1

Table 5

Code	Bowl connections
F	1/4" NPT to ANSI B2.1
M	1/8" NPT to ANSI B2.1

Table 6

Code	Cleaning options
C9	Cleaning for O ₂ service
None	As manufactured

Table 7

Code	Seal options ²
H	Fluorocarbon (FDA approved)
H1	FEP encapsulated fluorocarbon
H4	Silicone (standard)
H13	Nitrile
J	Ethylene propylene

² Please contact Pall Corporation to verify that the product conforms to your national legislation and/or regional regulatory requirements for water and food contact use.



Microelectronics
 25 Harbor Park Drive
 Port Washington, NY 11050
 +1 516 484 3600 telephone
 +1 800 360 7255 toll free US

Visit us on the Web at www.pall.com/microelectronics
 Contact us at www.pall.com/contact

Pall Corporation has offices and plants throughout the world. To locate the Pall office or distributor nearest you, visit www.pall.com/contact.

The information provided in this literature was reviewed for accuracy at the time of publication. Product data may be subject to change without notice. For current information consult your local Pall distributor or contact Pall directly.

IF APPLICABLE Please contact Pall Corporation to verify that the product conforms to your national legislation and/or regional regulatory requirements for water and food contact use.

© Copyright 2021, Pall Corporation. Pall, are trademarks of Pall Corporation.
 ® Indicates a trademark registered in the USA.