

Megaplast™ G2 CD Filter Housing

Description

The centrally located Drain/Vent port on the Megaplast™ CD housing head provides for efficient and rapid drainage when mounted with the bowl up, and efficient venting when mounted in the bowl down position.

The Megaplast CD has the same head mounting position design and dimensions as the Pall FlexBowl™ Housing. The comparable flat head design allows for more equipment design installation options.

The housings are designed to meet the stringent cleanliness requirements of ultrapure applications by using high purity PFA for all wetted components.

The Megaplast G2 CD housings are available in 102 mm, (4 in), 254 mm, (10 in), and 508 mm, (20 in) sizes. The 254 mm, (10 in) housing is designed to fit standard filter cartridges with a diameter of up to 82.5 mm, (3.25 in).

A selection of standard semiconductor industry inlet and outlet connection fittings are offered in different sizes and styles.



Features

- Optimized drainage and venting designs
- High-purity design
- Metal-free construction
- High temperature capability
- Closure nut is free floating

Specifications

Materials of Construction

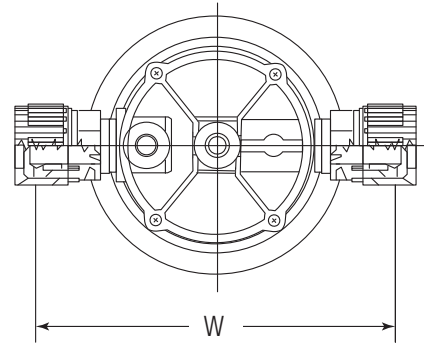
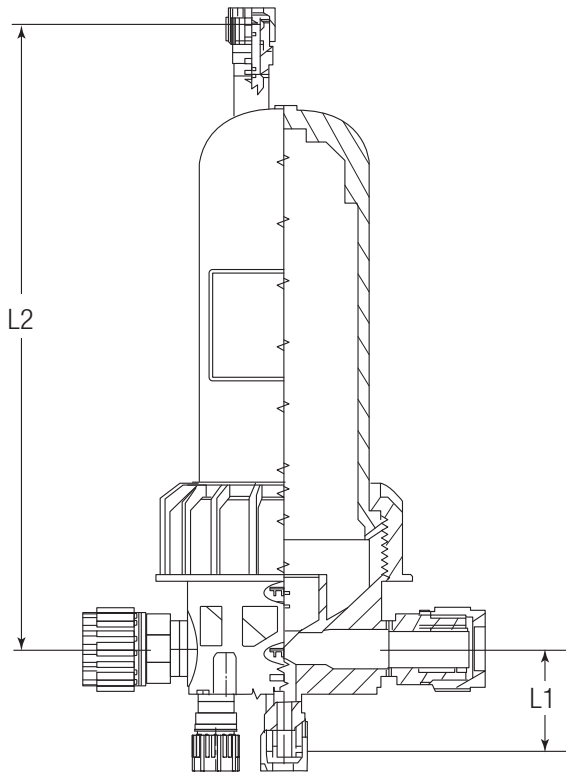
| Components | Materials |
|------------------------|---|
| Bowl | High-purity PFA |
| Head | High-purity PFA |
| Closure nut | PVDF |
| O-ring ^{1, 2} | PFA encapsulated fluorocarbon elastomer |

¹ All fluoropolymer materials made without PFOA.

² Other O-ring options available.

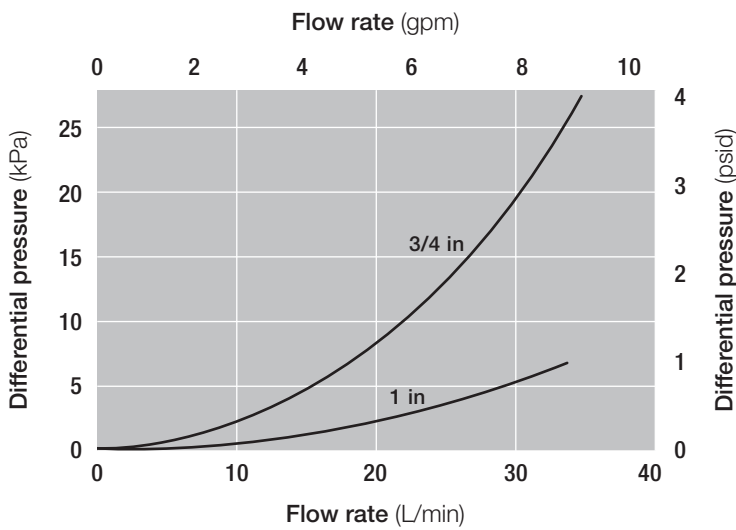
| | |
|---------------------------------------|---|
| Configuration | T-flow |
| Maximum Operating Temperature | 95 °C / 203 °F |
| Maximum Operating Pressure of Housing | 0.56 MPaG < 30 °C / 80 psig @ 86 °F 0.38 MPaG < 60 °C / 55 psig @ 140 °F 0.28 MPaG < 95 °C / 40 psig @ 200 °F |

Dimensions



| Part number | L1 | L2 | W |
|----------------|----------------------|------------------------|-----------------------|
| PFCD1F128SPH1B | 64.5 mm (2.54 in) | 388.6 mm (15.3 in) | 218.9 mm (8.62 in) |
| PFCD1F168SPH1B | 64.5 mm (2.54 in) | 388.6 mm (15.3 in) | 223.8 mm (8.81 in) |
| PFCD1F128FLH1B | 66 mm (2.60 in) | 366.3 mm (14.42 in) | 191.3 mm (7.53 in) |
| PFCD1F168FLH1B | 67.3 mm (2.65 in) | 366.3 mm (14.42 in) | 214.6 mm (8.45 in) |
| PFCD1F128BWH1B | 59.7 mm (2.35 in) | 357.3 mm (14.07 in) | 198.4 mm (7.81 in) |
| PFCD1F168BWH1B | 59.7 mm (2.35 in) | 357.3 mm (14.07 in) | 198.4 mm (7.81 in) |
| PFCD1F128NLH1B | 64.5 mm (2.54 in) | 388.6 mm (15.3 in) | 218.9 mm (8.62 in) |
| PFCD1F168NLH1B | 64.5 mm (2.54 in) | 388.6 mm (15.3 in) | 223.8 mm (8.81 in) |

Typical Flow Characteristics – 1 cP fluid, 20 °C



Part Numbers / Ordering Information

PFCD 1 2 3 4 5

Table 1

| Code | Filter length |
|------|---------------|
| 04 | 4 in |
| 1 | 10 in |
| 2 | 20 in |

Table 2

| Code | Closure nut materials |
|------|-----------------------|
| F | PVDF |
| P | PTFE |

Table 3

| Code | In / Out | Vent / Drain |
|------|----------|--------------|
| 128 | 3/4 in | 1/2 in |
| 168 | 1 in | 1/2 in |

Table 4

| Code | Connections |
|------|---------------------------|
| BW | Butt Weld |
| FL | Flare style |
| SP | Pillar Super 300 P series |
| NL | Nano Link System |

Table 5

| Code | O-ring |
|------|---|
| H1B | PFA encapsulated fluorocarbon elastomer |
| H11F | Kalrez ⁶ 7075 |

⁶ Kalrez is a trademark of Dupont

* Part numbers are not available with every option. (Refer to codes for options.)
Contact your local Pall representative for option availability.

* SPANNER WRENCH PART NUMBER : ACS0655AAHD



Pall Corporation

Microelectronics

25 Harbor Park Drive
Port Washington, NY 11050
+1 800 360 7255 toll free US
+1 516 484 3600 telephone
+1 516 801 9711 fax


Nihon Pall Ltd.

6-5-1, Nishishinjuku,
Shinjuku-ku
Tokyo 163-1325 Japan
+81 3 6901 5700 telephone
+81 3 5322 2109 fax

Visit us on the Web at microelectronics.pall.com

Pall Corporation has offices and plants throughout the world. For Pall representatives in your area, please go to www.pall.com/corporate_contact.asp.

Because of technological developments related to the products, systems, and/or services described herein, the data and procedures are subject to change without notice. Please consult your Pall representative or visit www.pall.com to verify that this information remains valid.

© Copyright 2019, Pall Corporation. Pall, , is trademark of Pall Corporation.
® Indicates a trademark registered in the USA. *Filtration. Separation. Solution.SM* is a service mark of Pall Corporation.