

Description

The Pall Kleen-Change® RRC Assembly is available with 0.2 µm, 0.45 µm, 1 µm and 3 µm retention ratings. The Kleen-Change RRC assembly offers a combination of proprietary PTFE membrane and specially engineered PTFE support material to provide superior flow performance for these sub-micron rated filters.

The Kleen-Change RRC assembly is a completely disposable filter unit that combines all fluoropolymer filter with Pall's all PFA housing. This provides a high flow disposable assembly option for today's demanding chemical applications. Designed for use where high flow, high pressure or high viscosity fluids require sub-micron retention.

Its unique configuration allows for safe, quick, and easy filter change outs while providing low hold-up volume and easy venting, thus reducing chemical waste and virtually eliminating the presence of air bubbles in the process.

Features & Benefits

- All high purity fluoropolymer materials
- Low extractable
- Compatible with virtually all chemicals¹
- Excellent filter cleanliness
- Very high flow rates
- 100% integrity tested
- Low hold-up volume for reduced chemical waste
- Easy venting for minimizing air bubbles
- Easy installation / change out
- Minimal chemical exposure during capsule change-out

Operating Recommendations

- As the filter media is hydrophobic, it is required to be prewet prior to filtering the process fluid. It is recommended to use extremely clean alcohol which is to be flushed with D.I. water prior to filtering inorganic chemicals. For applications where isopropyl alcohol (IPA) & D.I. water are not compatible with the process fluid, compatible solvents with relatively low surface tension (less than approximately 40 dyne/cm) such as NMP, DMF and DMAC, etc. may be used as a prewetting fluid.

For Prewetting the filter media, alcohol or compatible solvent is to be poured from the upstream connection to maintain the cleanliness of the downstream.

- Must allow for proper venting
- Pulse dampening should be designed into the system
- Preheating of high viscosity liquids should be designed into the system



Specifications

Materials of Construction

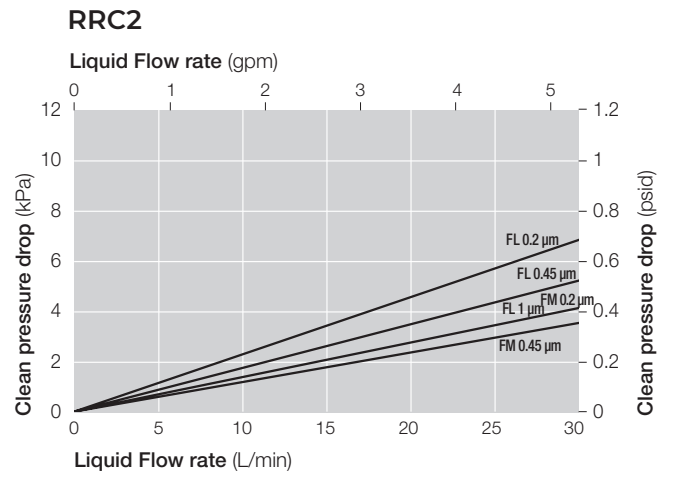
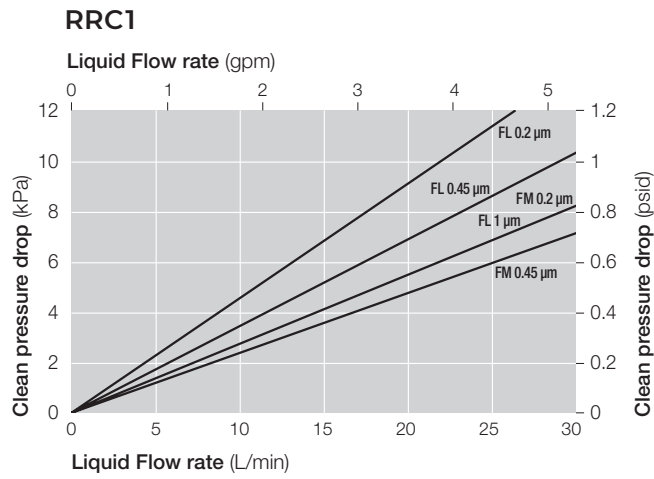
Components	Materials
Medium	PTFE
Cartridge Hardware	High purity PFA
Support	PTFE
Housing	High purity PFA
O-ring	Perfluoroelastomer

Removal Ratings	3 µm, 1 µm, 0.45 µm, 0.2 µm
Connections Inlet Vent / Outlet Vent	1/4" male Super Pillar ² S300 / 3/8" male Super Pillar S300
Maximum Forward Differential Pressure	0.4 MPa @ 40 °C / 58 psid @ 104 °F 0.2 MPa @ 100 °C / 29 psid @ 212 °F

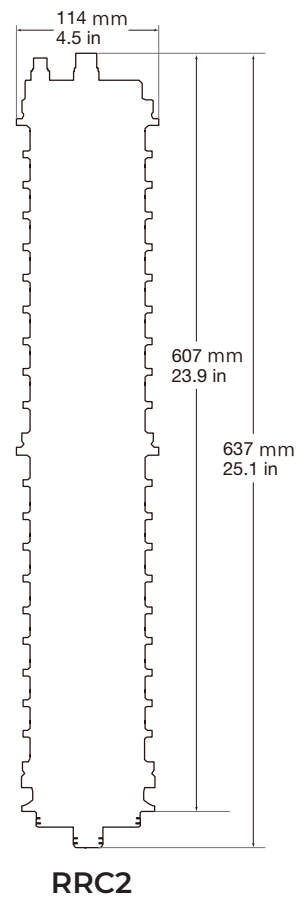
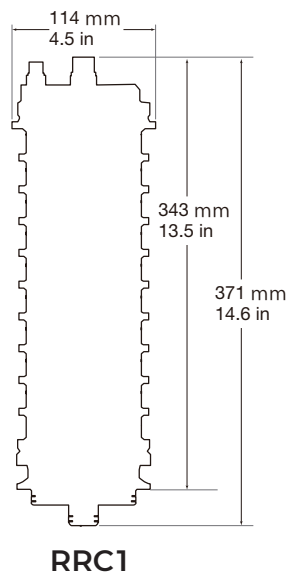
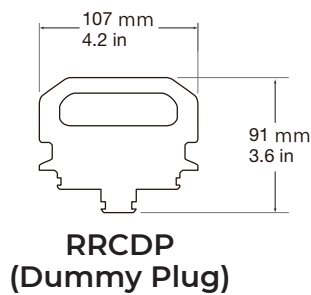
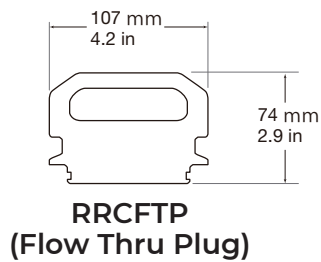
¹ Consult Pall Microelectronics for recommendations for Hot Phosphoric or Hot Sulfuric, SPM, above 90 °C.

² Pillar is a Trademark of Pillar Packing Co.

Typical Flow Characteristics - 1cP fluid, 20 °C



Dimensions



Part Numbers / Ordering Information

RRC 1 F 2 3 64E71 4

Table 1

Code	Nominal Length (mm / in)
1	371 / 14.6
2	637 / 25.1

Table 2

Code	Flow
L	Standard
M	High Flow

Table 3

Code	Removal Ratings
020	0.2 μm
045	0.45 μm
100	1 μm
300	3 μm

Table 4

Code	O-ring Materials
H11F	Perfluoroelastomer
H36	Fluoroelastomer

64E71 : Male Super Pillar S300 Vent connections
Upstream : 1/4", Downstream : 3/8"



Microelectronics

25 Harbor Park Drive
Port Washington, NY 11050
+1 516 484 3600 telephone
+1 800 360 7255 toll free US

Nihon Pall Ltd.

6-5-1, Nishishinjuku,
Shinjuku-ku
Tokyo 163-1325 Japan
+81 3 6901 5700 telephone
+81 3 5322 2109 fax

Visit us on the Web at www.pall.com/microelectronics
Contact us at www.pall.com/contact

Pall Corporation has offices and plants throughout the world. To locate the Pall office or distributor nearest you, visit www.pall.com/contact.

The information provided in this literature was reviewed for accuracy at the time of publication. Product data may be subject to change without notice. For current information consult your local Pall distributor or contact Pall directly.

IF APPLICABLE Please contact Pall Corporation to verify that the product conforms to your national legislation and/or regional regulatory requirements for water and food contact use.

© Copyright 2024, Pall Corporation. Pall, , are trademarks of Pall Corporation.
® Indicates a trademark registered in the USA.