

Description

Ultipleat® PK series of filter cartridges are widely used for high flow rate, aqueous-based applications in the production of thin film transistor liquid crystal displays (TFT LCD). This series has been expanded by the addition of the GS grade to meet the high flow rate needs of G8, G10 and G12 processes. One filter cartridge can typically handle flow rates of 300 LPM, thereby reducing system foot-print and change-out costs.

Features & Benefits

- Ultipleat technology allows for the construction of large filter area cartridges, enabling high liquid flow rates
- Highly asymmetric, hydrophilic, polysulfone filter media provide for very low differential pressures, which result in increased flow rates and extended filter service life
- Excellent filter performance results in lowered operating costs
- Easy filter change-outs reduce equipment down-time



Specifications

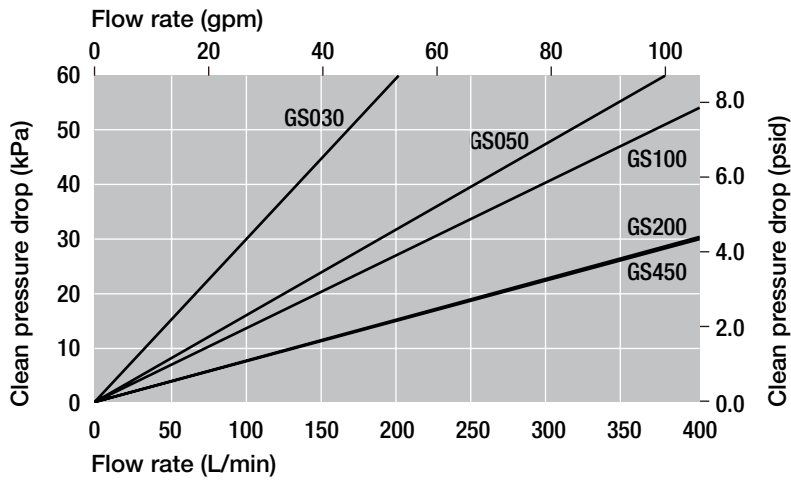
Materials of Construction

Components	Materials
Filter Membrane	Highly asymmetric hydrophilic polysulfone
Medium Support	Polypropylene
Core	Polypropylene
End Caps	Polypropylene
Seals	Ethylene propylene U-Cup FEP encapsulated fluoroelastomer O-ring

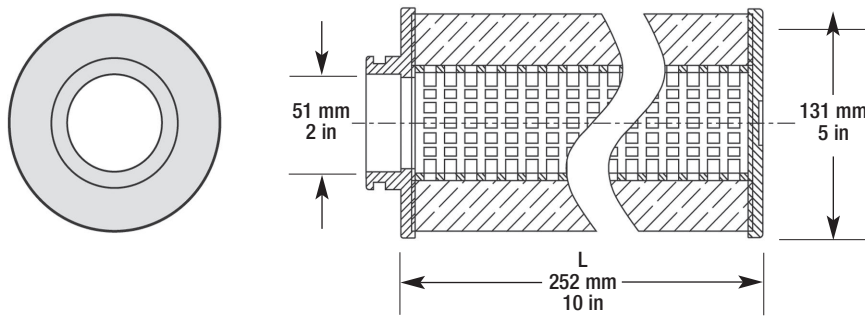
Removal Ratings	0.03 µm, 0.05 µm, 0.1 µm, 0.2 µm, 0.45 µm
Maximum Operating Temperature ¹	80 °C / 176 °F
Maximum Forward Differential Pressure ¹	0.41 MPa @ 20 °C / 60 psi @ 68 °F 0.31 MPa @ 80 °C / 45 psi @ 176 °F
Housings	<ul style="list-style-type: none"> • Ultipleat PK T-flow polypropylene housing P / N: UPKTUPP-1GU32J • Stainless steel and PVC housings. <p>(For availability of specific options and housing details, please contact your Pall Corporation representative.)</p>

¹ Only for compatible liquids which do not swell, soften or attack any of the filter components.

Typical Flow Characteristics - 1cP fluid, 20 °C



Dimensions (nominal)



Part Numbers / Ordering Information

UPK510GS 1 2

Table 1

Code	Removal Ratings
030	0.03 µm
050	0.05 µm
100	0.1 µm
200	0.2 µm
450	0.45 µm

Table 2

Code	Memo
JU	EP U Cup
H1	FEP Encapsulated fluoroelastomer



Microelectronics

25 Harbor Park Drive
Port Washington, NY 11050
+1 516 484 3600 telephone
+1 800 360 7255 toll free US

Nihon Pall Ltd.

6-5-1, Nishishinjuku,
Shinjuku-ku
Tokyo 163-1325 Japan
+81 3 6901 5700 telephone
+81 3 5322 2109 fax

Visit us on the Web at www.pall.com/microelectronics
Contact us at www.pall.com/contact

Pall Corporation has offices and plants throughout the world. To locate the Pall office or distributor nearest you, visit www.pall.com/contact.

The information provided in this literature was reviewed for accuracy at the time of publication. Product data may be subject to change without notice. For current information consult your local Pall distributor or contact Pall directly.

IF APPLICABLE Please contact Pall Corporation to verify that the product conforms to your national legislation and/or regional regulatory requirements for water and food contact use.

© Copyright 2022, Pall Corporation. Pall, and Ultipleat are trademarks of Pall Corporation. ® Indicates a trademark registered in the USA.