

Gaskleen® 1 1/8" C-Seal Gas Purifier



Description

A unique combination of Pall's leading edge AresKleen™ purification material, combined with Ultramet-L® stainless steel filter medium, creating the industry's most advanced true point-of-use purifier.

The Gaskleen top mount purifier assembly is designed to remove homogeneous contamination from process gases to sub ppb levels, while providing 3 nm filtration.

- Controls and reduces impurities such as O₂, H₂O, CO₂, CO, NMHC, Ni(CO)₄ and Fe(CO)₅
- Assembly hardware is made of 316 L stainless steel
- High efficiency diffusion barrier insures integrity of reactive material until in service and upon removal
- Superior pressure drop characteristics
- Wide variety of gasses purified
- 100% helium leak and pressure tested
- Will not release hydrocarbons
- Not orientation sensitive
- No detectable metal contribution above background in HCl gas with HCLP material
- No detectable metal contribution above background in HBr gas with HBRP material

Specifications

Materials

- Electropolished 316L stainless steel process wetted internal components
- ≤ 0.13 μm / 5 μin R_a internal surface finish

Particle Removal Efficiency Rating

- 1 × 10⁹ retention of particles ≥ 3 nm up to 15 slpm

Connections

- C-seal, 1 1/8" Interface

Operating Conditions

- Maximum operating pressure: 3.5 MPa @ 100°C / 500 psig @ 212°F
- Maximum operating temperature: 100°C / 212°F (INP, SIP, FCP, SF6P), 40°C / 104°F (GEH4P, OXP, CLXP, HCLP, HBRP, CDAP)
- EU Pressure Equipment Directive: Assemblies have been evaluated and designed using SEP per the European Union's Pressure Equipment Directive 2014/68/EU and are not CE marked

Design Flow Rate

- 0-3 slpm @ 0.21 MPa / 30 psig
- Intermittent flow rates up to 15 slpm can be accommodated¹

Packaging

- Double bagged
 - Outer bag: aluminized mylar²
 - Inner bag: polyethylene
- Product packaged in argon environment

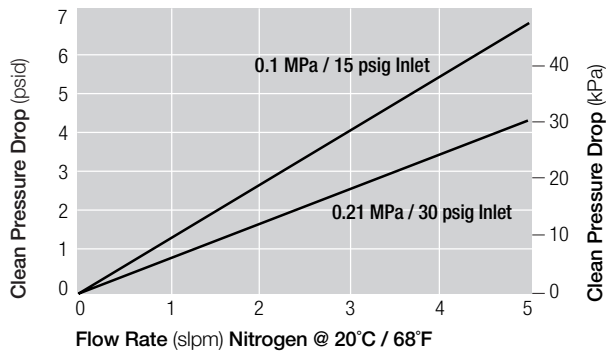
Nominal Dimensions

- Height: 76.2 mm / 3.0 in
- Base width: 28 mm / 1.125 in
- Shell diameter: 28 mm / 1.125 in

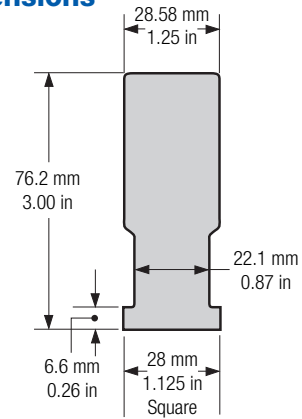
¹ Contact Pall Microelectronics for further information.

² Mylar is a registered trademark of Dupont Teijin Films, US Limited.

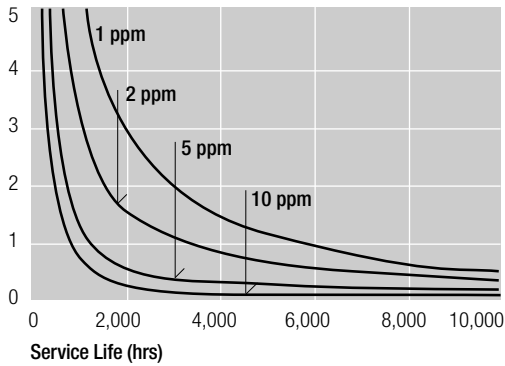
Pressure Drop vs. Gas Flow Rate



Nominal Dimensions

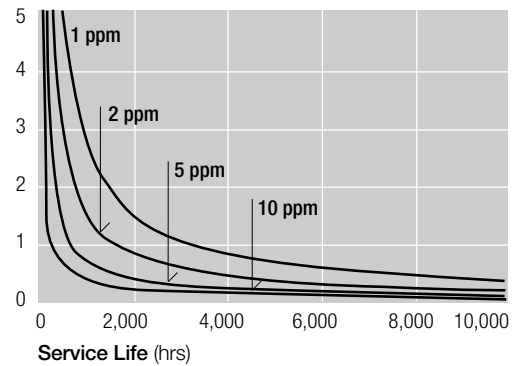


Lifetime Calculations



Pall AresKleen purification material: Inert gas service
Gaskleen 1.125 in C-Seal Base Top Mount purifier assembly,
Part # GTMP3INPCC4

Inlet pressure: 0.21 MPa (30 psig) contaminant
challenge as H₂O



Pall AresKleen purification material: Inert gas service
Gaskleen 1.125 in C-Seal Base Top Mount purifier assembly,
Part # GTMP3INPCC4

Inlet Pressure: 0.21 MPa (30 psig) contaminant
challenge as O₂

Part Numbers / Ordering Information

Part Number	Specific Gas	Effluent Purity Specifications
GTMP3INPCC4	Inert gases: Nitrogen, argon, helium, xenon, krypton, neon	< 1 ppb H ₂ O, CO ₂ , O ₂ , CO
GTMP3SIPCC4	Flammable gases: Silane, hydrogen, methane, ethane, cyclopropane, propane, dimethyl ether	< 1 ppb H ₂ O, CO ₂ , O ₂ , CO
	Carbon monoxide	< 1 ppb H ₂ O, O ₂ , CO ₂ , Ni(CO) ₄ , Fe(CO) ₅
GTMP3FCPCC4	Fluoromethane, difluoromethane, trifluoromethane, tetrafluoroethane, pentafluoroethane, heptafluoropropane, carbon tetrafluoride, perfluoropropane, perfluorocyclobutane, hexafluoroethane	< 1 ppb H ₂ O, CO ₂ , O ₂
GTMP3GEH4PCC4	Germane	< 1 ppb H ₂ O, CO ₂ , O ₂ , CO
GTMP3SF6PCC4	Sulfur hexafluoride	< 1 ppb H ₂ O, CO ₂ , O ₂ , CO
GTMP3OXPCC4	Oxygenated gases: Carbon dioxide, oxygen, nitrous oxide	< 10 ppb H ₂ O
GTMP3CLXPCC4	Chlorinated gases: Boron trichloride, chlorine, trichlorosilane, dichlorosilane	< 100 ppb H ₂ O
GTMP3HCLPCC4	Hydrogen chloride	< 15 ppb H ₂ O
GTMP3HBRPCC4	Hydrogen bromide	< 50 ppb H ₂ O
GTMP3CDAPCC4	Photolithography clean dry air	< 1 ppb H ₂ O, < 300 ppt organics (as C ₄), < 10 ppt acid gases (as SO ₂), < 15 ppt basic gases (as NH ₃), < 1 ppt refractory compounds (as HMDSO)

Technical Information

Impurity Removal as Tested in Specific Gases

Specific Gas	Impurity Removal Efficiency
Inert gases: Nitrogen, argon, helium, xenon, krypton, neon	< 1 ppb H ₂ O, CO ₂ , O ₂ , and CO as tested in argon and nitrogen using APIMS analyzer
Flammable gases: Silane, hydrogen, methane, ethane, cyclopropane, propane, dimethyl ether	< 1 ppb H ₂ O, CO ₂ , O ₂ , and CO as tested in argon, nitrogen and hydrogen using APIMS analyzer < 1 ppb H ₂ O as tested in carbon monoxide using trace moisture analyzer H ₂ O and siloxanes removed to trace levels as tested in silane using APIMS
Carbon monoxide	< 1 ppb Ni(CO) ₄ , and < 1 ppb Fe(CO) ₅ as tested in carbon monoxide using GC-ECD analyzer
Fluoromethane, difluoromethane, trifluoromethane, tetrafluoroethane, pentafluoroethane, heptafluoropropane, carbon tetrafluoride, perfluoropropane, perfluorocyclobutane, hexafluoroethane	< 1 ppb H ₂ O, CO ₂ , O ₂ , and CO as tested in argon and nitrogen using APIMS analyzer < 1 ppb O ₂ as tested in trifluoromethane using trace oxygen analyzer < 10 ppb H ₂ O as tested in trifluoromethane using trace moisture analyzer and FTIR
Germane	< 1 ppb H ₂ O, CO ₂ , O ₂ , and CO as tested in argon and nitrogen using APIMS analyzer
Sulfur hexafluoride	< 1 ppb H ₂ O, CO ₂ , and O ₂ as tested in argon using APIMS
Oxygenated gases: Carbon dioxide, oxygen, nitrous oxide, clean dry air	< 10 ppb H ₂ O < 1 ppb H ₂ O, and CO ₂ , as tested in argon using APIMS analyzer
Chlorinated gases: Boron trichloride, chlorine, trichlorosilane, dichlorosilane	< 100 ppb H ₂ O < 1 ppb H ₂ O, and CO ₂ , as tested in argon using APIMS analyzer
Hydrogen chloride	< 15 ppb H ₂ O as tested in hydrogen chloride using CRDS < 1 ppb H ₂ O as tested in argon using APIMS analyzer
Hydrogen bromide	< 50 ppb H ₂ O as tested in hydrogen bromide using CRDS < 1 ppb H ₂ O as tested in argon using APIMS analyzer
Photolithography clean dry air	< 1 ppb H ₂ O as tested in argon using APIMS analyzer < 300 ppt C ₄ H ₈ as tested in argon using APIMS Analyzer < 10 ppt SO ₂ as tested in nitrogen using ion chromatograph < 15 ppt NH ₃ as tested in nitrogen using ion chromatograph < 1 ppt HMDSO as tested in argon using APIMS analyzer and baseline subtraction

Unit conversion: 100 kilopascals = 1 bar



Microelectronics

25 Harbor Park Drive
Port Washington, New York 11050

1.800.360.7255 toll free (only in US)
1.516.484.3600 phone
1.516.625.3610 fax
microelectronics@pall.com

Visit us on the Web at www.pall.com/micro

Pall Corporation has offices and plants throughout the world. For Pall representatives in your area, please go to www.pall.com/contact.asp

Because of technological developments related to the products, systems, and/or services described herein, the data and procedures are subject to change without notice. Please consult your Pall representative or visit www.pall.com to verify that this information remains valid. Products in this document may be covered by the following patent number: US 7,465,692

© Copyright 2009, 2018, Pall Corporation. Pall, , Gaskleen, AresKleen, and Ultramet are trademarks of Pall Corporation. ® Indicates a Pall trademark registered in the USA. Filtration, Separation, Solution.SM is a service mark of Pall Corporation.