

## Fluoro-Plus™ PFA Series Filter Housings

### High Purity PFA Single Cartridge Filter Housings

- High purity PFA materials of construction provide the broadest available chemical compatibility and strongest mechanical properties with low possible extractables
- Accepts one 10.2 cm (4 in) or 25.4 cm (10 in) 222 O-ring SOE style cartridge
- 3/4" NPT and butt weld inlet and outlet connections available
- Standard 1/4" NPT upstream and downstream gauge connections
- Use with fluoropolymer cartridge for an all-fluoropolymer filtration system

### Product Specifications

#### Maximum operating pressure

4.5 bar (65 psig) @ 95°C (203°F)

5.2 bar (75 psig) @ 20°C (68°F)

**NOTE:** Maximum operating pressure ratings are vessel ratings only. Safe operating temperature and pressure will depend on the filter cartridge and gasket/O-ring used. For inquiries on compatibility, contact Pall or your local distributor.

#### Construction

|                        |                                      |
|------------------------|--------------------------------------|
| Head and bowl:         | High purity PFA                      |
| O-ring:                | FEP encapsulated silicone            |
| NPT plugs:             | High purity PFA                      |
| Threaded head inserts: | PTFE coated 316 stainless steel      |
| Adapter <sup>1</sup> : | High purity PFA (10 inch model only) |

#### Connections

|               |                                 |
|---------------|---------------------------------|
| Inlet/outlet: | 3/4" (1.91 cm) NPT or butt weld |
| Vent & drain: | 1/4" (0.64 cm) NPT              |

#### Cartridge configuration

|                  |  |
|------------------|--|
| 10.2 cm (4 in):  | M3 (Code 3), 222 O-rings,<br>flat closed end   |
| 25.4 cm (10 in): | M8 (Code 8), 222 O-rings,<br>flat closed end<br>M3 (Code 3), 222 O-rings,<br>flat closed end |

1 - Use the supplied high purity PFA adapter with a 25.4 cm (10 in) M3 style cartridge



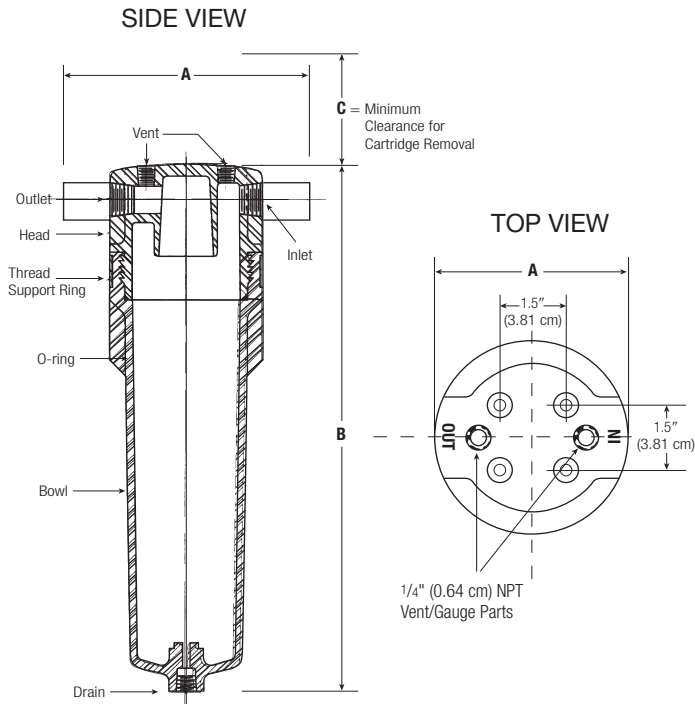
This housing is not recommended for compressed air or gas service. It is suitable for use with fully compatible\* liquids only. This housing is not recommended for acid service at the pressure shown. Please contact Pall for detailed compatibility information.

\* which do not soften, swell or adversely affect the product or its materials of construction.

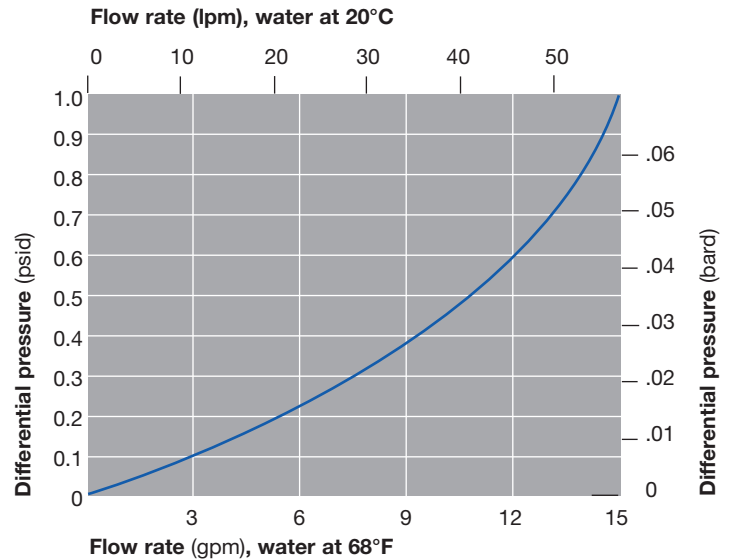
**NOTE:** Use of this product in a manner other than in accordance with Pall's current recommendations may lead to injury or loss. Pall cannot accept liability for such injury or loss.

## Dimensional Data (nominal)

| Model              | Dimensions cm (in) |               |           |
|--------------------|--------------------|---------------|-----------|
|                    | A                  | B             | C         |
| IDO4-PFA - 3/4     | 12.37 (4.87)       | 19.53 (7.69)  | 15.2 (6)  |
| IDO4-PFA - 3/4 BW  | 19.4 (7 21/32)     | 19.53 (7.69)  | 15.2 (6)  |
| IDO10-PFA - 3/4    | 12.37 (4.87)       | 40.49 (15.94) | 33.0 (13) |
| IDO10-PFA - 3/4 BW | 19.4 (7 21/32)     | 40.49 (15.94) | 33.0 (13) |



## Housing Differential Pressure vs. Liquid Flow Rate



Unit conversion: 1 bar = 100KPa

Flow rate is for 25.4 cm (10 in) housing without filter cartridge. For liquids other than water, multiply the pressure drop by the specific gravity of the fluid.

## Ordering Information

Pall Part Number = IDO 1 - PFA - 2

Table 1

| Code | Cartridge Lengths (cm/in) |
|------|---------------------------|
| 4    | 10.2/4 (M3 only)          |
| 10   | 25.4/10                   |

Table 2

| Code  | Inlet/Outlet Connection Size |
|-------|------------------------------|
| 3/4   | 3/4" NPT                     |
| 3/4BW | 3/4" butt weld extensions    |



Pall Corporation

25 Harbor Park Drive  
Port Washington, NY 11050  
+1 516 484 3600 telephone  
+1 800 289 7255 toll free US

Portsmouth - UK  
+44 (0)23 9230 3303 telephone  
+44 (0)23 9230 2507 fax  
processuk@pall.com

Filtration. Separation. Solution.<sup>SM</sup>

## Visit us on the Web at [www.pall.com](http://www.pall.com)

Pall Corporation has offices and plants throughout the world. For Pall representatives in your area, please go to [www.pall.com/contact](http://www.pall.com/contact)

Please contact Pall Corporation to verify that the product conforms to your national legislation and/or regional regulatory requirements for water and food contact use.

Because of technological developments related to the products, systems, and/or services described herein, the data and procedures are subject to change without notice. Please consult your Pall representative or visit [www.pall.com](http://www.pall.com) to verify that this information remains valid.

© Copyright 2004, 2010, Pall Corporation. Pall and are trademarks of Pall Corporation. ® indicates a trademark registered in the USA. Filtration. Separation. Solution.<sup>SM</sup> is a service mark of Pall Corporation.

834-6C

Produced in the USA

January 2011