

Megaplast™ Polypropylene and PVDF Filter Housing

Description

The Megaplast Polypropylene and PVDF filter housings are designed to provide excellent mechanical characteristics without utilizing any metallic components. The Megaplast Polypropylene housing accommodates 254 mm / 10 in cartridges and is suitable for water service.¹ The Megaplast PVDF housing accommodates 254 mm / 10 in and 508 mm / 20 in cartridges and is suitable for water and chemical service.¹ The connections on both housings are molded directly into the head and bowl, reducing the space required for fit up.

- Low hold-up volume
- Metal free construction
- Closure threads are on the “dry” side
- Closure nut is free floating
- Cleaned and packaged under controlled cleanroom conditions

Specifications

Materials

Polypropylene TAX/TRX Housing	
Medium	Molded natural polypropylene head and bowl with molded connections, vent and drain
Closure nut	Glass filled polyamide
O-ring ²	Ethylene propylene
PVDF TAV Housing	
Medium	Molded PVDF head and bowl with molded connections, vent and drain
Closure nut	Glass filled PVDF
O-ring ¹	Ethylene propylene or FEP encapsulated fluoroelastomer



Configurations

Connection options	DIN 25 male, 1 in pipe stub adapter ³
Vent/drain connections	<ul style="list-style-type: none"> • Bowl: 0.25 in BSP parallel female • Head: 0.25 in BSP parallel female or supplied blank
Polypropylene TAX/TRX Housing	AB Code 3 or RF style, 254 mm / 10 in cartridges
PVDF TAV Housing	AB Code 3, 254 mm / 10 in and 508 mm / 20 in cartridges (double 222 O-ring / flat end)

Materials

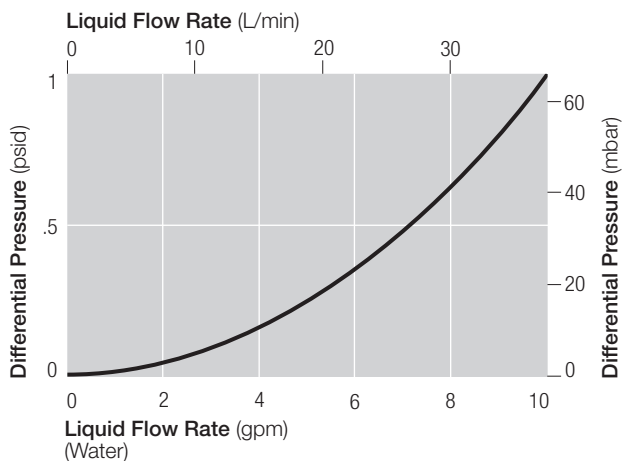
Polypropylene TAX/TRX Housing	
Maximum Operating Pressure	<ul style="list-style-type: none"> • Water service: 5.0 bar @ 40°C / 72.5 psig @ 104°F
PVDF TAV Housing	
Maximum Operating Pressure:	<ul style="list-style-type: none"> • Water service: 10.0 bar @ 40°C / 145.0 psig @ 104°F, 7.5 bar @ 80°C / 108.8 psig @ 176°F • Chemical service: 3.5 bar @ 40°C / 50.8 psig @ 104°F

¹ Product not rated for gas service. For inquiries on compatibility, contact Pall Microelectronics.

² Other options may be available

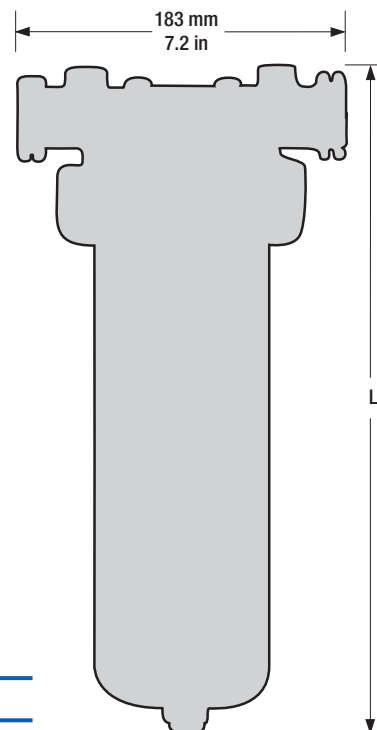
³ Adapter kit ACS028[]GA

Pressure vs. Liquid Flow Rate³



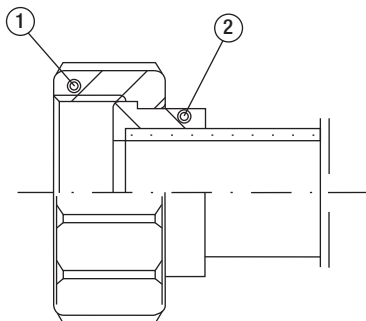
* For liquids other than water, multiply the pressure drop by the specific gravity of the liquid.

Dimensions



Stub Adaptor Kit

1. Union nut (2 ea.)
2. Stub adaptor (2 ea.)



Kit Part Numbers

ACS028 GA

Table 1

Code	Description

Part Numbers / Ordering Information

Part Number ⁴	Description	O-ring	Length (L) (mm / in)
TAX011G26JD	254 mm / 10 in Polypropylene housing, AB Code 3	Ethylene propylene	336 / 13.2
TRX011G26JD	254 mm / 10 in Polypropylene housing, RF Style	Ethylene propylene	336 / 13.2
TAVW011G26JD	254 mm / 10 in PVDF housing, Water service	Ethylene propylene	333 / 13.1
TAVW012G26JD	508 mm / 20 in PVDF housing, Water service	Ethylene propylene	590 / 23.2
TAVC011G26H1D	254 mm / 10 in PVDF housing, Chemical service	Teflon encapsulated Viton	333 / 13.1
TAVC012G26H1D	508 mm / 20 in PVDF housing, Chemical service	Teflon encapsulated Viton	590 / 23.2

⁴ Omit the "D" at the end of the part number to request that the vent and drain connections be supplied blank.

Unit conversion: 1 bar = 100 kilopascals



Pall Corporation

Microelectronics

25 Harbor Park Drive
 Port Washington, NY 11050
 +1 516 484 3600 telephone
 +1 800 360 7255 toll free US

Visit us on the Web at www.pall.com/micro

Pall Corporation has offices and plants throughout the world. For Pall representatives in your area, please go to www.pall.com/corporate_contact.asp.

Because of technological developments related to the products, systems, and/or services described herein, the data and procedures are subject to change without notice. Please consult your Pall representative or visit www.pall.com to verify that this information remains valid.

© Copyright 2020, Pall Corporation. Pall, PALL, and Ultipleate are trademarks of Pall Corporation. ® Indicates a Pall trademark registered in the USA. Filtration. Separation. Solution.SM is a service mark of Pall Corporation.