

Description

The DFA - EZ compact filter capsule assembly is designed for small volume processing. The configuration allows for quick, safe and simple filter change-outs and easy maintenance. It is ideally suited for point-of-use filtration of photoresists, various slurries and other compatible liquids.

Features and Benefits

- In-line flow path with minimal dead space
- One-step quick disconnect filter replacement
- The Profile® depth filter media is ideally suited for the removal of gels, aggregates and oversize particles
- Capsule design prevents incorrect orientation and installation
- Nozzle connections can be readily removed for cleaning
- Compact size
- Ease of use minimizes down-time
- Minimizes operator exposure to solvents
- Small footprint permits installation in narrow confines

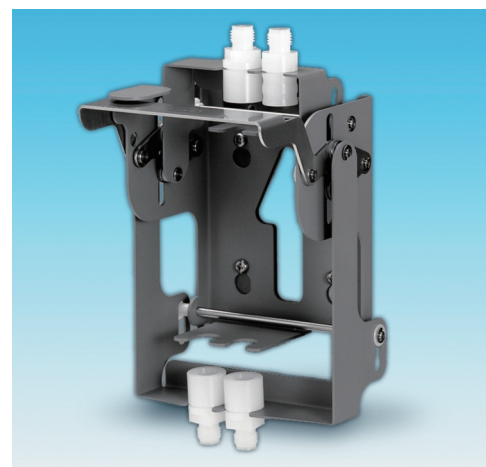
Materials of Construction

Filter Capsule

Components	Materials
Filter Media	Polypropylene
Support and Drainage	Polypropylene
Core, Cage and End caps	Polypropylene
Housing	Polypropylene
O-ring Options	EPDM, Perfluoroelastomer

Head Manifold

Components	Materials
Frame	SUS 304 (FEP coated)
Connection Nozzles	Polyethylene



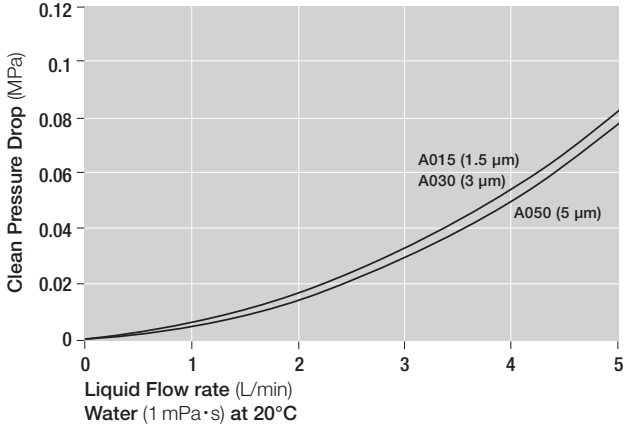
Specifications

Removal Ratings	1.5 µm, 3 µm, 5 µm	
Maximum Operating Temperature	38 °C / 100 °F	
Maximum Operating Pressure	0.19 MPaG @ 38 °C / 145 psig @ 100 °F	
Maximum differential Pressure	0.19 MPa @ 38 °C / 145 psi @ 100 °F	
Connections (Inlet / Outlet, Vent)	Inlet / Outlet	Vent / Drain
	6 mm Swagelok ² compatible	6 mm Swagelok compatible
	1/4" Swagelok compatible	1/4" Swagelok compatible

¹ This product is only available in Asia.

² Swagelok is a trademark of Sswagelok Co.

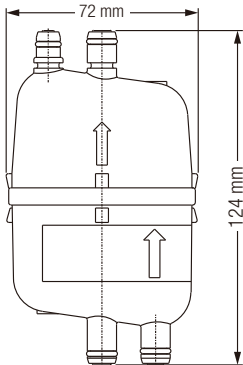
Pressure Drop vs. Liquid Flow Rate (Water, 20°C)³



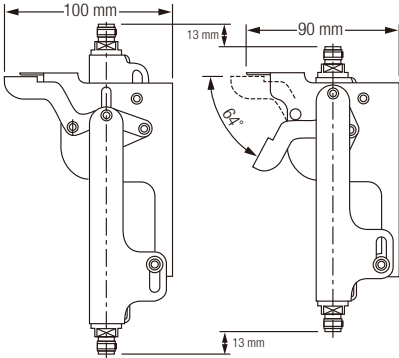
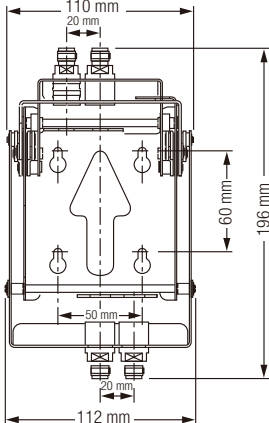
³ For liquids with viscosity differing from water, multiply the pressure drop by the viscosity in mPa·s

Dimensions

Filter Capsule



Head Manifold



Part Numbers / Ordering Information

Filter Capsules

DEZ1 1 F 2

Table 1

Code	Filter Media	Removal ratings
A015	Profile Star (Polypropylene)	1.5 µm
A030		3 µm
A050		5 µm

Table 2

Code	O-ring materials
J	EPDM
H23	Perfluoroelastomer

Head Manifold

DH1 3

Table 3

Code	Inlet / Outlet	Vent / Drain
SW66M	6 mm Swagelok compatible	6 mm Swagelok compatible
SW44	1/4" Swagelok compatible	1/4" Swagelok compatible

Spare Parts (Connection Nozzles)⁴

F-DH- 3

⁴ Connection nozzles contain all 4 pieces for inlet, outlet, vent and drain.

Representative example part numbers

(Filter Capsules)

DEZ1A015FJ

DEZ1A015FH23

DEZ1A030FJ

DEZ1A030FH23

DEZ1A050FJ

DEZ1A050FH23

(Head Manifold)

DH1SW66M

DH1SW44

(Spare Parts)

F-DH-SW66M

F-DH-SW44



Pall Corporation

Microelectronics

25 Harbor Park Drive
Port Washington, NY 11050
+1 800 360 7255 toll free US
+1 516 484 3600 telephone
+1 516 801 9700 fax
microelectronics@pall.com


Nihon Pall Ltd.

6-5-1, Nishishinjuku,
Shinjuku-ku
Tokyo 163-1325 Japan
+81 3 6901 5700 telephone
+81 3 5322 2109 fax

Visit us on the Web at www.pall.com/micro

Pall Corporation has offices and plants throughout the world. For Pall representatives in your area, please go to www.pall.com/corporate_contact.asp.

Because of technological developments related to the products, systems, and/or services described herein, the data and procedures are subject to change without notice. Please consult your Pall representative or visit www.pall.com to verify that this information remains valid.

© Copyright 2016, Pall Corporation. Pall, , and DFA are trademarks of Pall Corporation. © indicates a trademark registered in the USA. **Filtration. Separation. Solution.** is a service mark of Pall Corporation.