

PhotoKleen™ EZD-3XL Filter Assembly



Data Sheet MEEZD3XLENI

Description

The PhotoKleen™ EZD-3XL filter is designed for small-volume dispense systems to meet the requirements of advanced high through-put track systems. The PhotoKleen™ EZD-3XL filter has almost double the filter area (compared to the PhotoKleen™ EZD-3X filter), allowing for lower pressure drop during filtration. Two filter media – Asymmetric Nylon 6,6 and HDPE – are available. The naturally hydrophilic Nylon 6,6 membrane allows for spontaneous wettability, and offers lower defectivity on patterned wafers. The XP option is available for advanced lithography processes.

Features & Benefits

- Double the filter area compared to PhotoKleen™ EZD-3X filter capsule
- Easy change out capsule style filter assembly
- Two membrane material types available
- Minimized hold-up volume, and top in / top out flow direction
- Offers lower pressure drop for higher viscosity fluids
- Reduces tool down time by extending filter change-outs
- Offers suitable membranes for target applications
- Minimized organic extractables by XP option for rapid start-up and reducing chemical waste
- XP option guarantees low organic, metal and particle cleanliness for the most advanced processes.



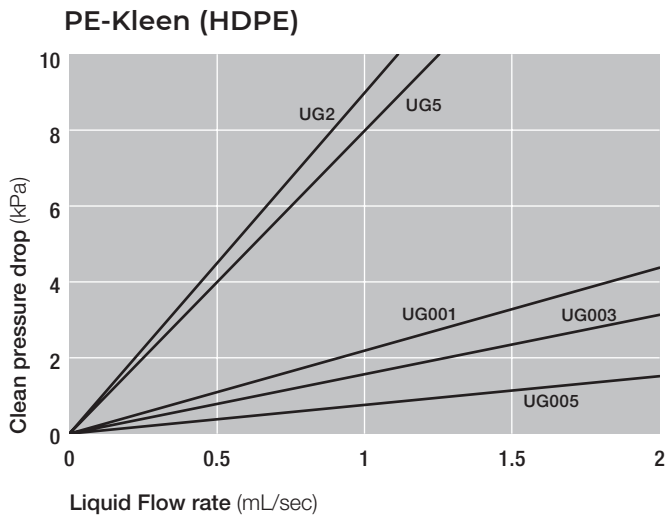
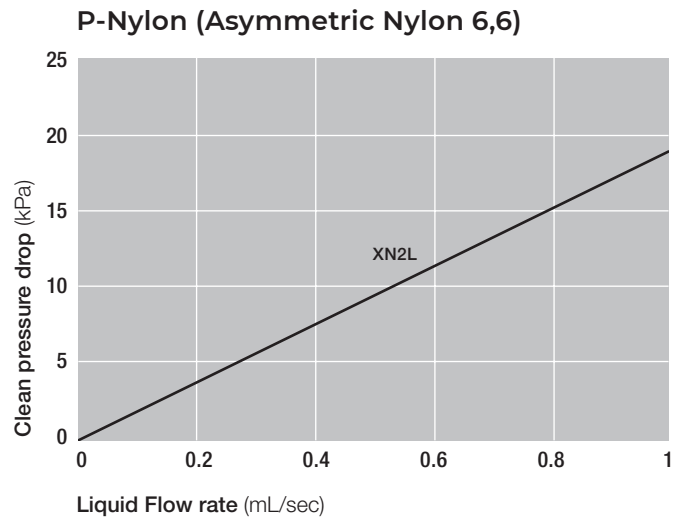
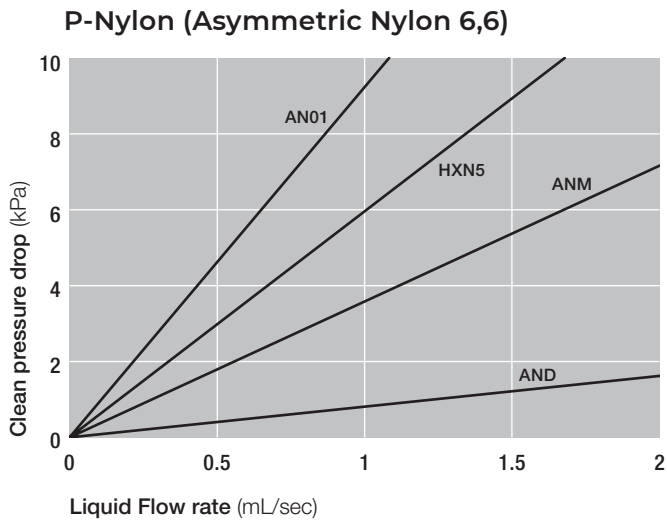
Specifications

Materials of Construction

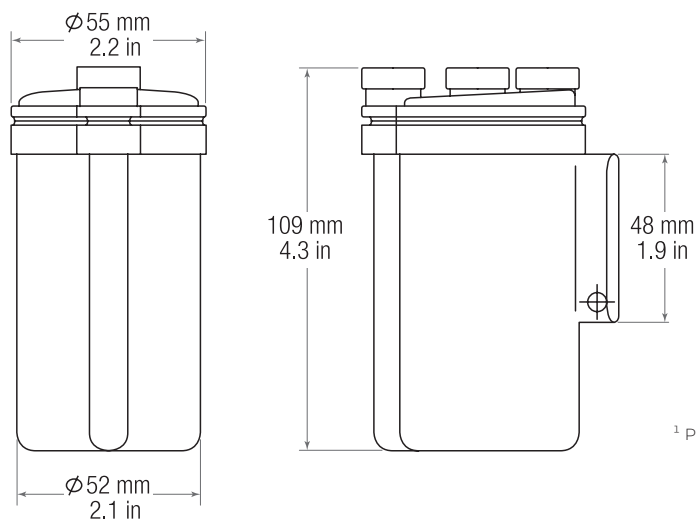
Components	Materials
Filter Media	P-Nylon : Hydrophilic Asymmetric Nylon 6,6 PE-Kleen : High Density Polyethylene (HDPE)
Support and Drainage	High Density Polyethylene (HDPE)
Core, Cage, and End Caps	High Density Polyethylene (HDPE)
Housing	High Density Polyethylene (HDPE)
O-ring	Perfluoroelastomer

Removal Ratings	P-Nylon : 2 nm, 5 nm, 10 nm, 30 nm, 40 nm
	PE-Kleen : 2 nm, 5 nm, 10 nm, 30 nm, 50 nm
Filter Area	P-Nylon : 2 nm : 3,200 cm ²
	5 nm : 2,100 cm ²
	10, 20, 40 nm : 2,500 cm ²
	PE-Kleen : 2, 5, 10, 30 nm : 2,800 cm ²
50 nm : 2,900 cm ²	
Maximum Forward Differential	P-Nylon : 0.27 MPa @ 20 °C / 39 psid @ 60 °F PE-Kleen : 0.29 MPa @ 30 °C / 42 psid @ 86 °F
Maximum Operating Temperature	30 °C / 86 °F
Maximum Operating Pressure	0.29 MPaG @ 30 °C / 42 psig @ 86 °F

Typical Flow Characteristics - 1cP fluid, 20 °C



Dimensions¹



¹ PhotoKleen™ EZD-3XL filter capsule requires PhotoKleen EZD-3XL head manifold

Part Numbers / Ordering Information²

PHD13 1 EH11B

Table 1

<u>Code</u>	<u>Filter Media</u>	<u>Removal Ratings</u>
XN2L ³	P-Nylon	Asymmetric Nylon6,6
HXN5 ³		Asymmetric Nylon6,6
AN01		Asymmetric Nylon6,6
ANM		Asymmetric Nylon6,6
AND		Asymmetric Nylon6,6
UG2	PE-Kleen	HDPE
UG5		HDPE
UG001		HDPE
UG003		HDPE
UG005		HDPE

² For XP option add -XP to end of part number for below 10nm / 20nm removal ratings.

³ XP treatment is standard on 2 nm / 5 nm removal ratings.

Caution: For optimal filtration performance, it is recommended to replace your filters at-least once a year. Annual replacements will reduce the potential of any leakages that may result due to prolonged chemical exposure. Pall warrants its filters for a period of 1 year from the date of shipment.

Specifications (Head Manifold)

Materials of Construction

Components	Materials
Head	PFA / HDPE
Fitting	PFA / PCTFE
Stage and lever	SUS304
Adapter	SUS304

Connections

Type	Inlet / Outlet	Vent
Flowell ⁴ 60 series	¼" (6.35 x 4.3 mm) Fitting	4 x 3 mm Fitting
	5 x 3 mm Fitting	5 x 3 mm Fitting

⁴ Flowell is a trademark of Flowell Co.,Ltd.

Part Numbers / Ordering Information (Head Manifold)

Part Number	Inlet / Outlet	Vent
PHF13GFS44MWLTA-A	¼" (6.35 x 4.3 mm) Flowell 60 Fitting	4 x 3 mm Flowell 60 Fitting
PHF13GFS55MLTA	5 x 3 mm Flowell 60 Fitting	5 x 3 mm Flowell 60 Fitting

Optional Parts

Product Name	Part Number	Notes
Adapter	PTH9101	For the placement of other capsules PhotoKleen EZD-3 PhotoKleen EZD-3X Dummy Capsules (PHDC12H11B, PHDC12H11B-XP+)
	PHDC12H11B	O-ring : Perfluoroelastomer
Dummy Capsule	PHDC12H11B-XP+	O-ring : Perfluoroelastomer, Special Clean Product



EZD-3



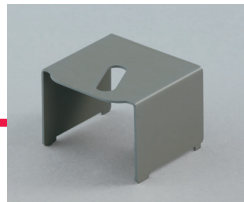
EZD-3X



Dummy Capsule



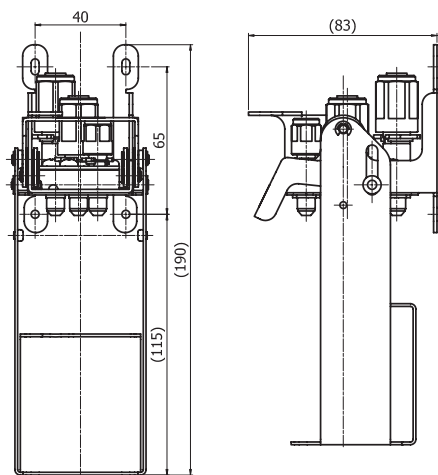
Adapter



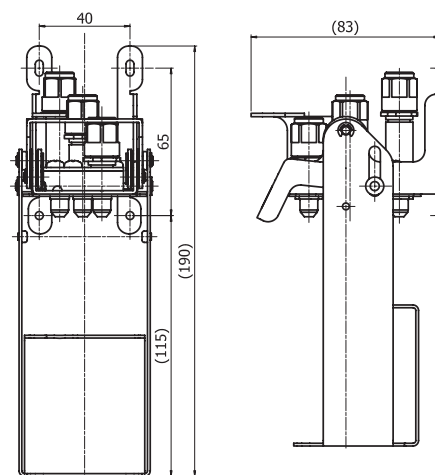
To place the PhotoKleen EZD-3, PhotoKleen EZD-3X, and Dummy Capsules, the adapter (optional part) is required. Please insert the adapter under the manifold and place capsules on it.

Dimensions

PHF13GFS44MWLTA-A



PHF13GFS55MLTA





Microelectronics

25 Harbor Park Drive
Port Washington, NY 11050
+1 516 484 3600 telephone
+1 800 360 7255 toll free US

Nihon Pall Ltd.

6-5-1, Nishishinjuku,
Shinjuku-ku
Tokyo 163-1325 Japan
+81 3 6901 5700 telephone
+81 3 5322 2109 fax

Visit us on the Web at www.pall.com/microelectronics
Contact us at www.pall.com/contact

Pall Corporation has offices and plants throughout the world. To locate the Pall office or distributor nearest you, visit www.pall.com/contact.

The information provided in this literature was reviewed for accuracy at the time of publication. Product data may be subject to change without notice. For current information consult your local Pall distributor or contact Pall directly.

IF APPLICABLE Please contact Pall Corporation to verify that the product conforms to your national legislation and/or regional regulatory requirements for water and food contact use.

© Copyright 2023, Pall Corporation. Pall, , and PhotoKleen are trademarks of Pall Corporation. ® Indicates a trademark registered in the USA.