

# UltiFuzor™ 6110 Series Degas Modules



Data Sheet MEUDM6ENc

## Description

The UltiFuzor™ UDM-6110 series degas module is the next generation development in Pall degassing technology. The UDM-6110 series allows digital ink jet printers to achieve high DO (Dissolved Oxygen) removal at the lowest pressure drop, prevent bubble formation and assure optimal printer performance.

The larger design allows digital ink jet printers to meet flow rate requirements up to 2.5 L/min.

The UDM-6110 series is ideal for single pass digital printing applications.

## Features and Benefits

- Lower pressure drop
- High dissolved oxygen removal
- 1/4 NPT, Female connections
- Unique hollow fiber technology
- Black housing for UV inks



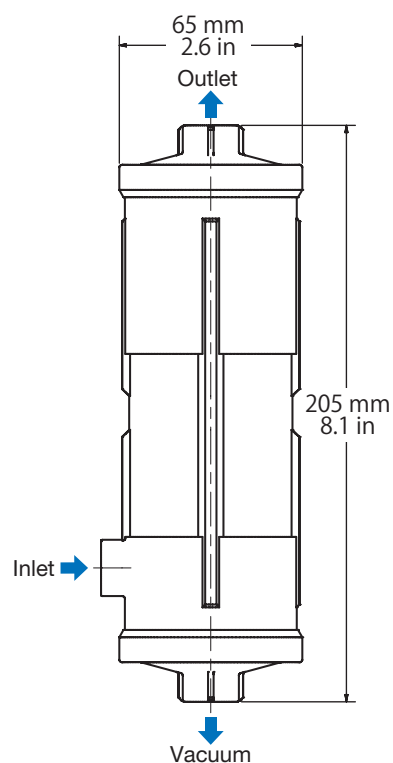
## Materials of Construction

Components	Materials
Housing	Polypropylene (Black)
Hollow fiber	Polyethylene
Potting compound	Epoxy Resin

## Specifications

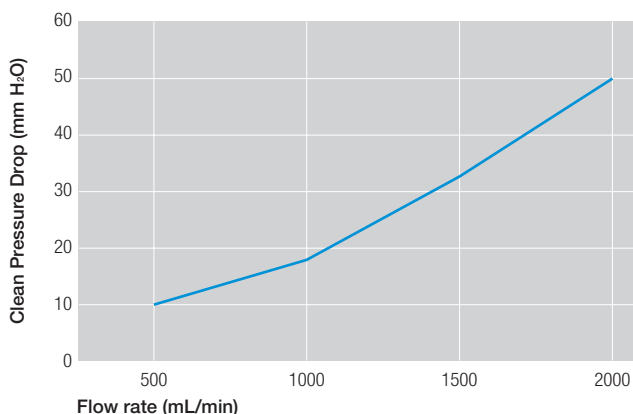
Flow guidelines	0 – 2.5 L / min (2500 mL / min)
Typical membrane surface area	1.3 m <sup>2</sup> / 14.0 ft <sup>2</sup>
Maximum operating temperature	45 °C / 113 °F
Maximum operating pressure	0.16 MPaG @ 45 °C / 24 psig @ 113 °F
Connections (Inlet/Outlet/Vacuum)	1/4" NPT, Female

## Dimensions (Nominal)



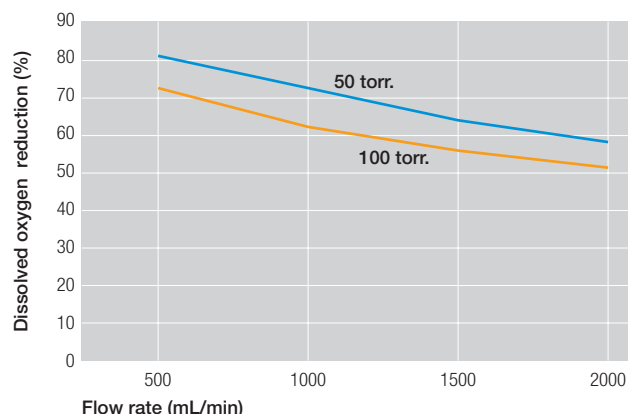
For best performance module should be installed vertically. Please review document number IUUDM6EN for proper installation instruction. Document is available on the web at [microelectronics.pall.com](http://microelectronics.pall.com). For use in other configurations/flow patterns please contact the factory for assistance.

## Flow Rate vs Pressure Drop (Water, 20 °C)<sup>1</sup>



<sup>1</sup> For liquids with viscosity differing from water, multiply the pressure drop by the viscosity in mPa·s.

## Dissolved Oxygen Removal vs Flow and Vacuum Level in Water



## Part Numbers / Ordering Information

Part Number : UDM-61110PT1



### Microelectronics

25 Harbor Park Drive  
Port Washington, NY 11050  
+1 516 484 3600 telephone  
+1 800 360 7255 toll free US

### Nihon Pall Ltd.

6-5-1, Nishishinjuku,  
Shinjuku-ku  
Tokyo 163-1325 Japan  
+81 3 6901 5700 telephone  
+81 3 5322 2109 fax

Visit us on the Web at [www.pall.com/microelectronics](http://www.pall.com/microelectronics)  
Contact us at [www.pall.com/contact](http://www.pall.com/contact)

Pall Corporation has offices and plants throughout the world. To locate the Pall office or distributor nearest you, visit [www.pall.com/contact](http://www.pall.com/contact).

The information provided in this literature was reviewed for accuracy at the time of publication. Product data may be subject to change without notice. For current information consult your local Pall distributor or contact Pall directly.

*IF APPLICABLE* Please contact Pall Corporation to verify that the product conforms to your national legislation and/or regional regulatory requirements for water and food contact use.

© Copyright 2022, Pall Corporation. Pall,  and UltiFuser are trademarks of Pall Corporation. ® Indicates a trademark registered in the USA.