

LMO 1000 Style Series Filter Housings

Accepts 25.4 cm (10 in) or 50.8 cm (20 in) Nominal Length 1000 Style Filter Cartridges

- Fail-safe cartridge sealing device provides pre-closure assurance of no fluid bypass
- In-line inlet and outlet connections ensure easy installation
- NPT and flange options available
- High pressure models available for applications up to 69 bar (1000 psig) @ 121°C (250°F)

Housing Specifications

Maximum operating pressure

Standard: 17.2 bar (250 psig) @ 121°C (250°F)

H: 51.7 bar (750 psig) @ 121°C (250°F)

V: 68.9 bar (1000 psig) @ 121°C (250°F)

Materials of construction

316 stainless steel - wetted parts

Connections

Inlet/Outlet: $\frac{3}{4}$ " NPT

Drain: $\frac{1}{4}$ " NPT

Shell O-rings FEP encapsulated fluorocarbon elastomer, silicone elastomer, fluorocarbon elastomer, nitrile, ethylene propylene

Eye nut option

Eye nuts can be substituted for standard hex nuts. Order Part T10640030. Eye nuts are standard with flanged units.

Flange option

150 lb., 300 lb., or 600 lb. ANSI raised face $\frac{3}{4}$ " flanges are available.

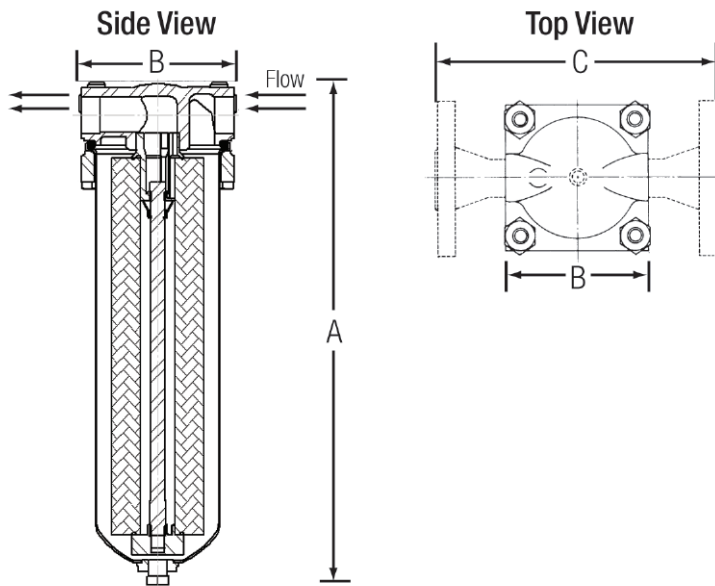


Dimensional Data (nominal)

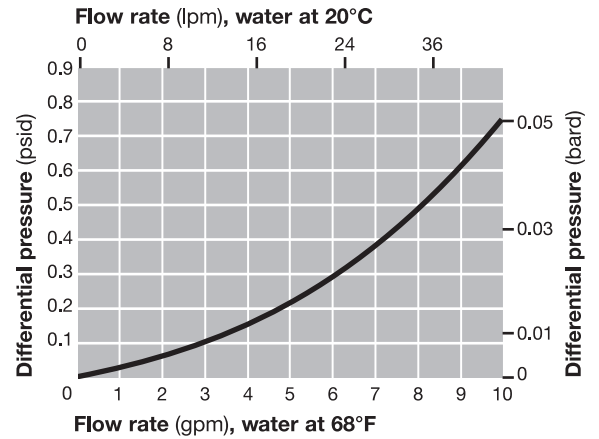
Model	Liquid ¹ Flow Rate lpm (gpm)	Gas ² Flow Rate scfm	Dimensions cm (in)			Weight Empty	
			A	B	C	Threaded Nozzle kg (lb)	Flanged Nozzle kg (lb)
LMO11	to 37.9 (10)	125	33 (13)	11.1 (4.375)	21.6 (8.5)	4.1 (9)	5.9 (13)
LMO12	to 75.7 (20)	225	58.4 (23)	11.1 (4.375)	21.6 (8.5)	5.9 (13)	7.7 (17)
LMO11H	to 37.9 (10)	125	33 (13)	11.1 (4.375)	22.5 (8.875)	4.1 (9)	7.7 (17)
LMO12H	to 75.7 (20)	225	58.4 (23)	11.1 (4.375)	22.5 (8.875)	5.9 (13)	9.5 (21)
LMO11V	to 37.9 (10)	125	33 (13)	11.1 (4.375)	23.8 (9.375)	4.1 (9)	9.5 (21)
LMO12V	to 75.7 (20)	225	58.4 (23)	11.1 (4.375)	23.8 (9.375)	5.9 (13)	11.3 (25)

¹ Dependent upon cartridge selection, fluid viscosity and allowable pressure drop.

² Housing pressure drop less than 0.07 bar (1 psig).



Housing Differential Pressure vs. Liquid Flow Rate



Unit Conversion: 1 bar = 100 kPa

For liquids other than water, multiply differential pressure by specific gravity.

Ordering Information

Pall Part Number = LMO1 1 2 GN 3 4

Table 1

Code	Bowl nominal lengths (cm/in)
1	25.4/10
2	50.8/20

Table 3

Code	Inlet/outlet size
12	¼" NPT
13	¾" Flange

Table 2

Code	Pressure ratings
Blank	17.2 bar (250 psig) @ 121°C (250°F)
H	51.7 bar (750 psig) @ 121°C (250°F)
V	68.9 bar (1000 psig) @ 121°C (250°F)

Table 4

Code	Seal materials
H	Fluorocarbon elastomer
H1	FEP encapsulated fluorocarbon elastomer
H4	Silicone
H13	Nitrile
J	EPDM



**ENABLING A
GREENER
FUTURESM**



Pall Corporation

25 Harbor Park Drive
Port Washington, NY 11050
+1 516 484 3600 telephone
+1 800 289 7255 toll free US

Visit us on the Web at www.pall.com

Pall Corporation has offices and plants throughout the world. For Pall representatives in your area, please go to www.pall.com/contact.

Because of technological developments related to the products, systems, and/or services described herein, the data and procedures are subject to change without notice. Please consult your Pall representative or visit www.pall.com to verify that this information remains valid.

© Copyright 2011, Pall Corporation. Pall and  are trademarks of Pall Corporation. © indicates a trademark registered in the USA. **Filtration. Separation. Solution.** and **ENABLING A GREENER FUTURE** are service marks of Pall Corporation.